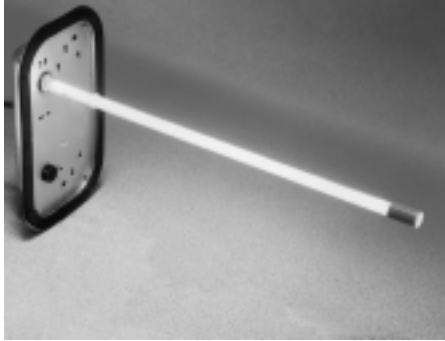


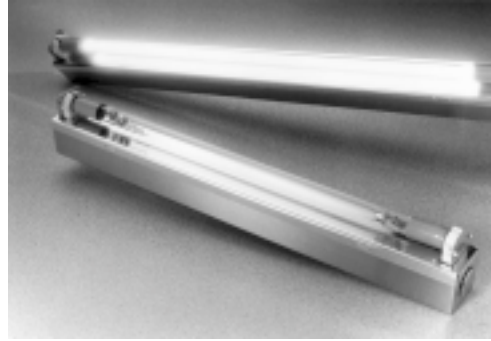


UV-C Germicidal Lamps

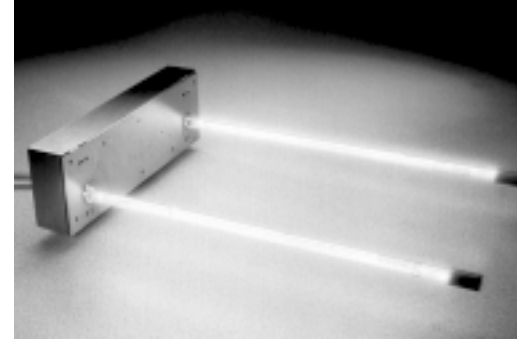
COMMERCIAL HVAC DUTY ACCESSORIES



CRNEMAFX Series - Insertion Type High Output UV-C Lamp for Carrier TJ/HJ/EJ/EW Rooftops



CRDBLFX Series - Surface Mount High Output UV-C Lamps for all Carrier 40RM Fan Coils and Air Handlers



CRDUALFX Series - Insertion Type High Output UV-C Lamps for Carrier 28LA Dx Evaporator Coils

FEATURES AND BENEFITS

Attacks HVAC “Dirty Socks” IAQ Fungus and Mold Odor Problems

- Kills Fungus and Mold That May Grow on Wet Evaporator Coils and Condensate Pans.
- Eliminates Foul Odors That Fungus and Mold Can Produce
- Helps Minimize Allergens and Allergy Causing Irritants

Provides a Self Cleaning Function for Evaporator Coil and condensate pan

- Reduces Evaporator Coil Pressure Drop on Retrofit Installations
- Helps Reduce Maintenance and Operating Cost

HOW DOES IT WORK?

High output UV-C energy from the UV-C lamps attack targeted fungus, mold, bacteria or virus at the cellular level, preventing replication and causing cell death.

These new Carrier HVAC duty UV-C accessory germicidal lamps are your best form of bio-film source control for HVAC units.

BREAKTHROUGH TECHNOLOGY

Ultra Violet C-band light has been used since World War II for germicidal control, but has been limited to room temperature applications, until now.

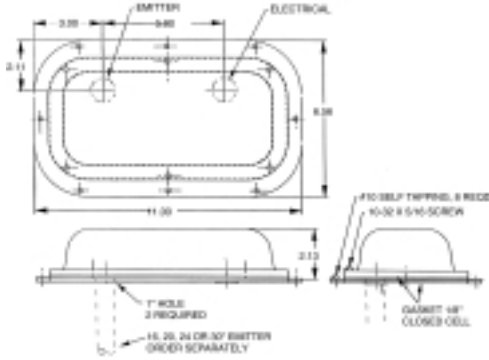
Recently Patented technology advances have finally made UV-C practical for use inside an HVAC unit. Carrier's UV-C Germicidal Lamps are specifically designed to operate at 40-50°F in high humidity conditions - where they produce maximum output.

YOUR BEST FORM OF BIO-FILM SOURCE CONTROL FOR HVAC UNITS

PERFORMANCE AND SIZING INFORMATION



MODEL CRNEMAFX INSERTION TYPE - FOR TJ/HJ/EJ/EW ROOFTOPS



The model CRNEMAFX accessory UV-C Germicidal Lamps are specifically designed to be installed on Carrier 3-65 ton Rooftop units listed below.

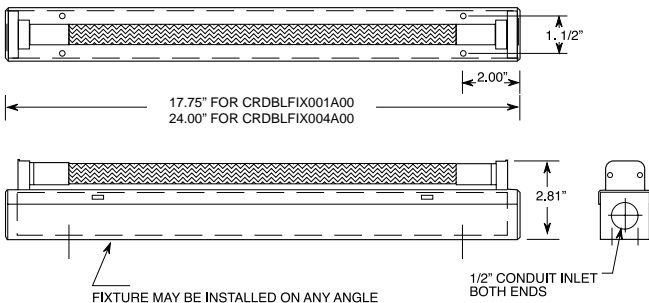
Installation is easy. Simply drill (2) 1" diameter holes for each lamp at the exact locations shown in the detailed installation instructions, attach the lamps with self tapping screws, and wire per applicable code(s).

A separate 115v source of electrical power, a door interlock switch and a disconnect switch are required for proper safe installation as described in the installation instructions.

ROOFTOP MODEL	115V UV-C LAMP FIXTURES		UV-C EMITTERS (BULBS)		BULB LENGTH	UV-C OUTPUT μW/cm2 @ 1m	POWER INPUT	
	QTY.	ODS PART NUMBER*	QTY.	ODS PART NUMBER			phase-hz	watts
48/50TJ/HJ004-007	1	CRNEMAFX001A00	1	CRSGLTUB004A00	30"	120	1-50/60hz	70-85w
50HJQ004-007	1	CRNEMAFX001A00	1	CRSGLTUB004A00	30"	120	1-50/60hz	70-85w
48/50TJ/HJ008-014	1	CRNEMAFX001A00	1	CRSGLTUB005A00	36"	120	1-50/60hz	70-85w
50HJQ008-012	1	CRNEMAFX001A00	1	CRSGLTUB005A00	36"	120	1-50/60hz	70-85w
48/50TJ016-028	2	CRNEMAFX001A00	2	CRSGLTUB005A00	36"	120	1-50/60hz	70-85w
48/50HJ015-025	2	CRNEMAFX001A00	2	CRSGLTUB005A00	36"	120	1-50/60hz	70-85w
48/50HJQ014-017	2	CRNEMAFX001A00	2	CRSGLTUB005A00	36"	120	1-50/60hz	70-85w
48/50E_024-048	3	CRNEMAFX001A00	3	CRSGLTUB005A00	36"	120	1-50/60hz	70-85w
48/50E_054-058	4	CRNEMAFX001A00	4	CRSGLTUB005A00	36"	120	1-50/60hz	70-85w
48/50E_064-068	5	CRNEMAFX001A00	5	CRSGLTUB005A00	36"	120	1-50/60hz	70-85w

*115v, 50/60Hz. 70-85 watt input (also available in 208/230v & 277v)

MODEL CRDBLFX SURFACE MOUNT TYPE - FOR 40RM FAN COILS



The model CRDBLFX accessory UV-C Germicidal Lamps are specifically designed to be installed on Carrier 40RM fan coils.

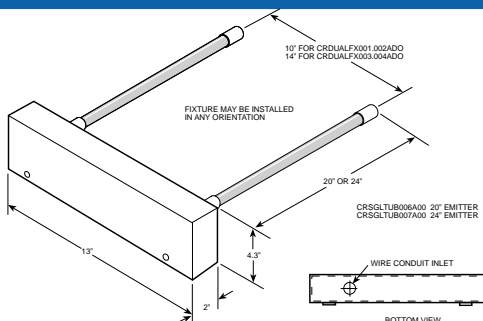
Installation is easy. Simply attach two of the CRDBLFX lamps. (three on 028 and 034), to the lower flange of the blower support channel with self drilling screws and wire per application code(s).

A separate 115v source of electrical power, a door interlock switch and a disconnect are required for proper safe installation as described in the installation instructions.

FAN COIL MODEL	115V UV-C LAMP FIXTURES		UV-C EMITTERS (BULBS)		BULB LENGTH	UV-C OUTPUT μW/cm2 @ 1m	POWER INPUT	
	QTY.	ODS PART NUMBER*	QTY.	ODS PART NUMBER			phase-hz	watts
40RM/RMS007-012	2	CRDBLFX001A00	2	CRDBLTUB001A00	16"	120	1-50/60hz	70-85w
40RMQ008-012	2	CRDBLFX001A00	2	CRDBLTUB001A00	16"	120	1-50/60hz	70-85w
40RM/RMS014-024	2	CRDBLFX004A00	2	CRDBLTUB002A00	22"	120	1-50/60hz	70-85w
40RMQ016	2	CRDBLFX004A00	2	CRDBLTUB002A00	22"	120	1-50/60hz	70-85w
40RM/RMS028-034	3	CRDBLFX004A00	3	CRDBLTUB002A00	22"	120	1-50/60hz	70-85w

*115v, 50/60Hz, 70-85 watt input (also available in 208/230v & 277v)

MODEL CRDUALFX INSERTION TYPE - FOR 28LA Dx COILS



The Model CRDUALFX accessory UV-C Germicidal Lamps are specifically designed to be installed on Carrier 28LA Dx Evaporator Coils.

Installation is easy. Simply drill (4) 1" diameter holes at the exact locations shown in the detailed installation instructions, attach the lamps with self tapping screws, and wire per applicable code(s).

A separate 115V source of electrical power, a door interlock switch, and a disconnect are required for proper, safe installation as described in the installation instructions.

EVAPORATOR COIL MODEL	115V UV-C LAMP FIXTURES		UV-C EMITTERS (BULBS)		BULB LENGTH	UV-C OUTPUT μW/cm2 @ 1m	POWER INPUT	
	QTY.	ODS PART NUMBER*	QTY.	ODS PART NUMBER			Phase-Hz	Watts
28LA008,012	2	CRDUALFX003A00	4	CRSGLTUB007A00	24"	120	1-50/60 Hz	70-85

*115v, 50/60Hz, 70-85 watt input (also available in 208/230v)