



Installation Instructions

Part No: 30RA-900---054, 30RA-900---055, 30RA-900---056, and 38AP-900---005

PACKAGE USAGE

ACCESSORY PART NUMBER	QUANTITY	UNITS
30RA-900---054	1	30RAP010,015
30RA-900---055	1	09DPS018,020 30RAP018,020
	2	09DPM035-050 30RAP035,040
30RA-900---056	1	09DPS030 30RAP025,030 38APD025-030 38APS025-030
	2	09DPM060 30RAP045-060 38APD040-060 38APS040,050
38AP-900---005	1	09DPM065-130 30RAP070-150 38APS065 38APD070-130

PACKAGE CONTENTS

ACCESSORY PART NUMBER	CONTENTS DESCRIPTION	QUANTITY
30RA-900---054, 30RA-900---055, 30RA-900---056	Baffle Plate	1
	Baffle Plate	1
	Bracket	3
	Bracket Support	2
	Gusset	6
	Screws	70
38AP-900---005	Baffle Plate	1
	Screw	12

GENERAL

This book contains instructions for the installation of the wind baffles used on 09DPS018-030, 09DPM035-130, 30RAP010-150, 38APD025-130, and 38APS025-065 units with Motormaster® V controls. The Motormaster V control must be purchased separately and is not provided with this kit. Wind baffles must be field installed for all units to ensure proper operation at low-ambient temperatures with Motormaster V electronic controller.

This kit provides factory designed wind baffles for field installation when running the unit at low ambient air temperatures.

The standard outdoor-air temperature limitation of the 30RAP010-015 chillers is -20 F (-28.0 C). The standard outdoor-air temperature limitation of the 30RAP018-030 chillers is 45 F (7.2 C). The standard outdoor-air temperature limitation of the 30RAP035-150 chillers is 32 F (0.0° C).

The standard outdoor-air temperature limitation of the 38APS025-065 condensing units is 45 F (7.2 C). The standard outdoor-air temperature limitation of the 38APD025-040 and 070-130 condensing units is 32 F (0.0° C). The standard

outdoor-air temperature limitation of the 38APD050-060 condensing units is 25 F (-3.9 C).

The standard outdoor-air temperature limitation of the 09DPS and 09DPM units is based on different system factors including the unit it is paired with, condensing temperature, temperature difference, and compressor capacity.

The Motormaster V electronic control low ambient operation kit can be used to extend the system operation down to -20 F (-28 C).

SAFETY CONSIDERATIONS

⚠ WARNING

Disconnect all power to the unit before performing maintenance or service. Electrical shock and personal injury could result.

Installing, starting up, and servicing air-conditioning equipment can be hazardous due to system pressures, electrical components and equipment location.

Only trained, qualified installers and service technicians should install, start up, and service this equipment.

When working on air-conditioning equipment, observe precautions in the literature and on tags, stickers, and labels attached to the equipment.

Follow all safety codes. Wear safety glasses and work gloves. Use care in handling equipment.

PREINSTALLATION

Inspect the contents of the accessory package before installing. File a claim with the shipper if shipping damage is found or contact your Carrier representative if any parts are missing. See Package Contents table for kit package contents.

INSTALLATION

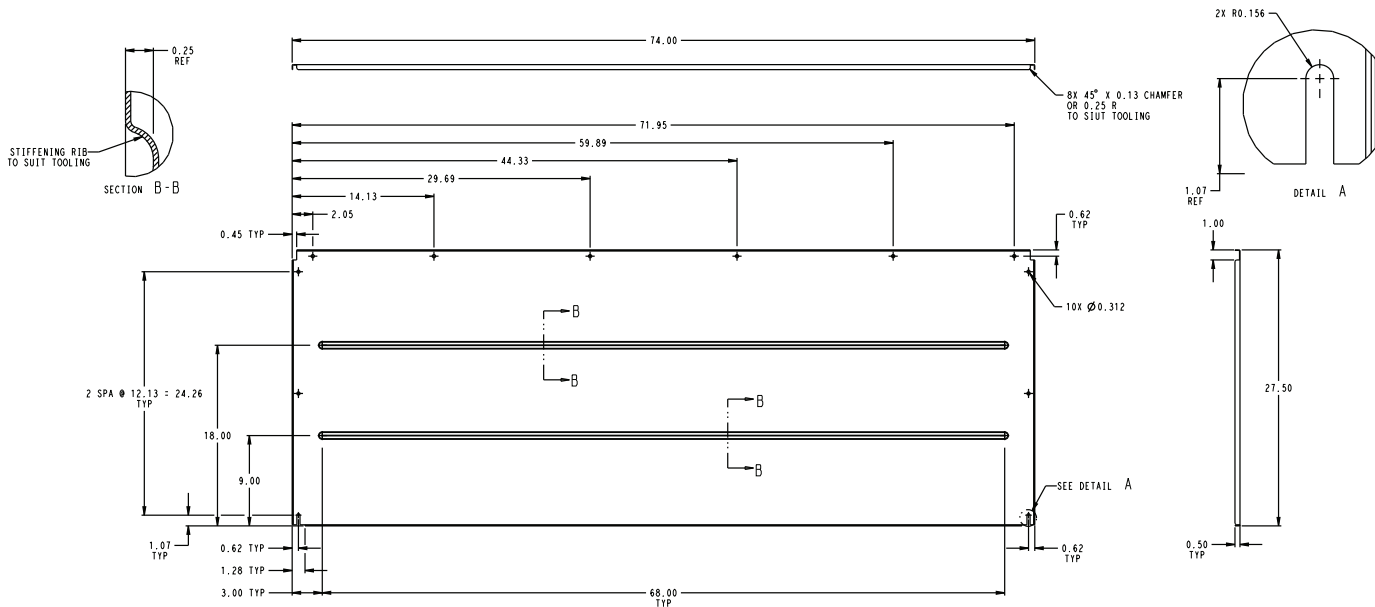
⚠ CAUTION

To avoid damage to refrigerant coils and electronic components, use extreme care when drilling screw holes and attaching fasteners.

NOTE: Pre-drilled holes may not be provided. Drill pilot holes as necessary using the bracket as a template.

Sizes 010 to 060 — To install the accessory wind baffles, perform the following procedure:

1. Install the 3 brackets to the side of the unit using screws provided. See Fig. 1-3 for location.
2. Install 6 gussets in the corners of the brackets using screws provided.



NOTE: Dimensions are in inches.

Fig. 4 — Baffle Dimensions — 09DPM065-130 Units, 38APD070-130 Units, 38APS065 Units, and 30RAP070-150 (Part No. 38AP-900---005)

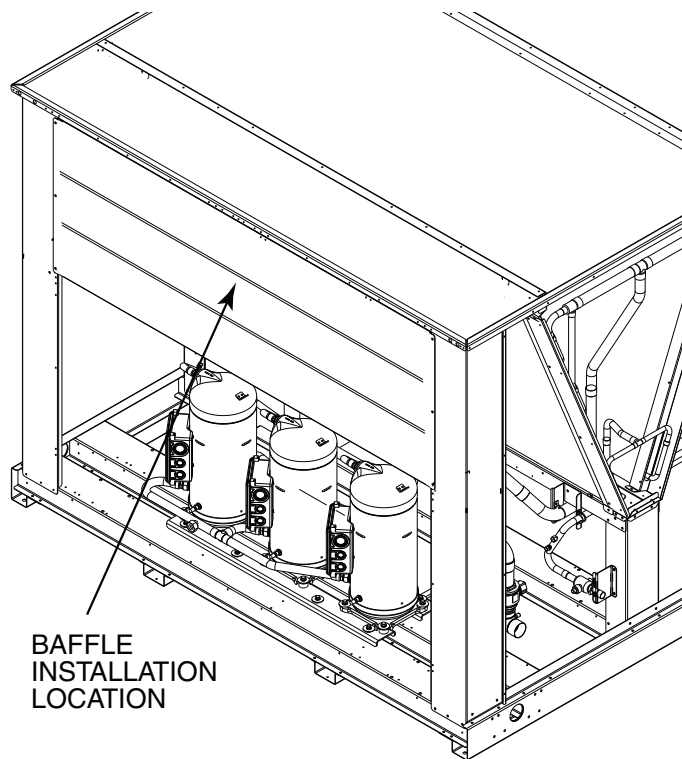


Fig. 5 — Baffle Installation Location — 09DPM065-130 Units, 38APD070-130 Units, 38APS065 Units, and 30RAP070-150 (Part No. 38AP-900---005)