

24ABS3
Base™ 13 Series Air Conditioner
1 & 3 Phase
1 – 1/2 to 5 Nominal Tons (Sizes 18 to 60)



Turn to the Experts.™

Product Data

INDUSTRY LEADING FEATURES / BENEFITS



As an Energy Star® Partner, Carrier Corporation has determined that this product meets the Energy Star® guidelines for energy efficiency. Refer to the combination ratings in the Product Data for system combinations that meet Energy Star® guidelines.

NOTE: Ratings contained in this document are subject to change at any time. Always refer to the AHRI directory (www.ahridirectory.org) for the most up-to-date ratings information.

Efficiency

- 13 SEER/11 EER (Nominal)
- Microtube Technology™ refrigeration system
- Indoor air quality accessories available

Sound

- Sound level as low as 76 dBA
- As low as 74 dBA with optional accessory sound hood

Comfort

- System supports Thermidistat™ or standard thermostat controls

Reliability

- Front-seating service valves
- Scroll compressor
- Internal pressure relief valve
- Internal thermal overload
- Filter drier
- Balanced refrigeration system for maximum reliability

Durability

WeatherArmor™ protection package:

- Solid, durable sheet metal construction
- Wire coil guard
- Baked-on, complete outer coverage, powder paint

Applications

- Long-line - up to 250 feet (76.20 m) total equivalent length, up to 200 feet (60.96 m) condenser above evaporator, or up to 60 ft. (18.28 m) evaporator above condenser (See Longline Guide for more information.)
- Low ambient (down to -20°F/-28.9°C) with accessory kit

Warranty

Single Phase

- 5-year limited compressor warranty
- 5-year limited parts warranty

Three Phase

- 5-year limited compressor warranty
- 1-year limited parts warranty

MODEL NUMBER NOMENCLATURE

1	2	3	4	5	6	7	8	9	10	11	12	13
N	N	A	A	A/N	N	N	N	A/N	A/N	A/N	N	N
2	4	A	B	S	3	3	6	A	0	0	3	0
Product Series	Product Family	Tier	Major Series	SEER	Cooling Capacity	Variations	Open	Open	Voltage	Series		
24=AC	A=RES AC	B=Base	S=R-22	3=13 SEER		A=Standard G=Dense Coil Guard	0=Not Defined	0=Not Defined	3=208/230-1 5=208/230-3 6=460/3 1 = 575/3	0 = Original Series		

24ABS3



This product has been designed and manufactured to meet Energy Star® criteria for energy efficiency when matched with appropriate coil components. However, proper refrigerant charge and proper air flow are critical to achieve rated capacity and efficiency. Installation of this product should follow all manufacturing refrigerant charging and air flow instructions. **Failure to confirm proper charge and air flow may reduce energy efficiency and shorten equipment life.**

STANDARD FEATURES

Feature	18	24	30	36	42	48	60
Maximum SEER	14.5	14.25	14.5	14	14	14	13.5
Scroll Compressor	X	X	X	X	X	X	X
Wire Coil Guard	X	X	X	X	X	X	X
Field – Installed Filter Drier	X	X	X	X	X	X	X
Front – Seating Service Valves	X	X	X	X	X	X	X
Internal Pressure Relief Valve	X	X	X	X	X	X	X
Internal Thermal Overload	X	X	X	X	X	X	X
Long – Line capability	X	X	X	X	X	X	X
Low Ambient capability with Kit	X	X	X	X	X	X	X

X = Standard

PHYSICAL DATA

UNIT SIZE – SERIES, VOLTAGE	18–30	18–31	24–30	24–31	30–30, 30–50	31–31	36–30, 36–50, 36–60, 36–10	42–30, 42–50, 42–60, 42–10	48–30, 48–50, 48–60, 48–10	60–30, 60–50, 60–60, 60–10
Operating Weight lb (kg)	154 (69.8)	106 (48.1)	156 (70.8)	110 (49.9)	170 (77.1)	113 (51.2)	177 (80.3)	192 (87.1)	208 (94.3)	265 (120.2)
Shipping Weight lb (kg)	120 (54.4)	129 (58.5)	120 (54.4)	134 (60.8)	130 (59.0)	137 (51.2)	139 (63.0)	220 (99.8)	240 (108.9)	222 (100.7)
Compressor Type	Scroll									
REFRIGERANT	Freon® (R–22)									
Control	TXV (R–22 Hard Shutoff)									
Charge lb (kg)	3.9 (1.8)	3.5 (1.6)	4.5 (2.0)	3.8 (1.7)	4.9 (2.2)	4.3 (2.0)	5.4 (2.4)	6.84 (3.1)	7.54 (3.4)	9.2 (4.2)
COND FAN	Propeller Type, Direct Drive									
Air Discharge	Vertical									
Air Qty (CFM)	1880	1792	2200	1792	2730	2218	3170	3365	4050	4050
Motor HP	1/12	1/12	1/10	1/12	1/5	1/10	1/5	1/4	1/4	1/4
Motor RPM	1100	1100	1100	1100	1100	1100	1100	1100	800	800
COND COIL										
Face Area (Sq ft)	9.85	8.4	9.85	9.80	11.49	9.80	12.93	21.56	22.63	25.15
Fins per In.	20	25	20	25	25	25	25	25	25	25
Rows	1	1	1	1	1	1	1	1	1	1
Circuits	3	3	3	3	4	4	4	5	6	8
VALVE CONNECT. (In. ID)										
Vapor	3/4	3/4	3/4	3/4	3/4	3/4	7/8	7/8	7/8	7/8
Liquid	3/8"									
REFRIGERANT TUBES (In. OD)										
Rated Vapor*	3/4	3/4	3/4	3/4	3/4	3/4	7/8	7/8	7/8	1–1/8
Liquid	3/8"									

*Units are rated with 25 ft (7.6 m) of lineset length. See *Vapor Line Sizing and Cooling Capacity Loss* table when using other sizes and lengths of lineset.

Note: See unit Installation Instruction for proper installation.

VAPOR LINE SIZING AND COOLING CAPACITY LOSS

LONG LINE APPLICATION: An application is considered "Long line" when the total equivalent tubing length exceeds 80 ft. (24.38 m) or when there is more than 20 ft. (6.09 m) vertical separation between indoor and outdoor units. These applications require additional accessories and system modifications for reliable system operation. The maximum allowable total equivalent length is up to 250 ft. (76.2 m). The maximum

vertical separation is 200 ft. (60.96 m) when outdoor unit is above indoor unit, and up to 60 ft. (18.28 m) when the outdoor unit is below the indoor unit. Refer to Accessory Usage Guideline below for required accessories. See Longline Application Guideline for required piping and system modifications. Also, refer to the table below for the vapor tube diameters based on the total length to minimize the cooling capacity loss.

Unit Nominal Size (Btuh)	Maximum Liquid Line Diameters (In. OD)	Vapor Line Diameters (In. OD)	Cooling Capacity Loss (%)								
			Total Equivalent Line Length ft. (m)								
			Standard Application			Long Line Application Requires Accessories					
			26–50 (7.9–15.2)	51–80 (15.5–24.4)	81–100 (24.7–30.5)	101–105 (30.8–38.1)	126–150 (38.4–45.7)	151–175 (46.0–50.3)	176–200 (53.6–60.0)	201–225 (61.3–68.6)	226–250 (68.9–76.2)
18000 R–22 AC	3/8	5/8	1	1	2	2	3	4	4	5	6
		3/4	0	0	0	1	1	1	1	2	2
24000 R–22 AC	3/8	5/8	1	2	3	4	5	6	8	9	10
		3/4	0	0	1	1	2	2	3	3	3
		7/8	0	0	0	0	1	1	1	1	2
30000 R–22 AC	3/8	5/8	1	3	5	6	8	10	11	13	15
		3/4	0	1	1	2	3	3	4	5	5
		7/8	0	0	0	1	1	1	2	2	2
36000 R–22 AC	3/8	3/4	1	1	2	3	4	5	6	7	8
		7/8	0	0	1	1	2	2	3	3	4
42000 R–22 AC	3/8	3/4	1	2	3	4	5	7	8	9	10
		7/8	0	1	1	2	2	3	4	4	5
		1–1/8	0	0	0	0	0	0	1	1	1
48000 R–22 AC	3/8	3/4	1	2	4	5	7	8	10	11	13
		7/8	0	1	1	2	3	4	5	5	6
		1–1/8	0	0	0	0	0	0	1	1	1
60000 R–22 AC	3/8	7/8	1	2	3	4	5	7	8	9	10
		1–1/8	0	0	1	1	1	2	2	2	3

Applications in this area are long line. Accessories are required as shown recommended on Long Line Application Guidelines

Applications in this area may have height restrictions that limit allowable total equivalent length, when outdoor unit is below indoor unit. See Long Line Application Guidelines.

24ABS3

ACCESSORIES

ORDER NUMBER	DESCRIPTION	UNIT SIZE - VOLTAGE, SERIES																					
		18-30, 31	24-30, 31	30-30	31-31	30-50	36-30	36-50	36-60	36-10	42-30	42-50	42-60	42-10	48-30	48-50	48-60	48-10	60-30	60-50	60-60	60-10	
KAACH1201AAA	CRANKCASE HTR													X	X								
KAACH1301AAA	CRANKCASE HTR																	X					
KAACH1401AAA	CRANKCASE HTR	X		X																			
KAACH1501AAA	CRANKCASE HTR																						
STANDARD	CRANKCASE HTR																						
KSACY0101AAA	CYCLE PROTECTOR	X	X	X	X	X	X	X	X	X	X	X	X	X	X	X	X	X	S	S	S	S	
KAFT0101AAA	FREEZE THERMOSTAT	X	X	X	X	X	X	X	X	X	X	X	X	X	X	X	X	X	X	X	X	X	X
KSASH1501AAA	HARD START (CAP/RELAY)	X	X	X	X	X	X	X	X	X	X	X	X	X	X	X	X	X	X	X	X	X	X
KSASH1701AAA	HARD START (CAP/RELAY)																						
KSALI0401R22	HIGH PRESS SW	X	X	X	X	X	X	X	X	X	X	X	X	X	X	X	X	X	X	X	X	X	X
KSALA0201R22	LOW AMBIENT PSW	X	X	X	X	X	X	X	X	X	X	X	X	X	X	X	X	X	X	X	X	X	X
KAALP0301R22	LOW PRESS SW	X	X	X	X	X	X	X	X	X	X	X	X	X	X	X	X	X	X	X	X	X	X
HC92GE234	MOTOR FAN BALL BEARING (230v)	X																					
HC93GE239	MOTOR FAN BALL BEARING (230v)		X		X																		
HC38GE227	MOTOR FAN BALL BEARING (230v)			X																			
HC38GE219	MOTOR FAN BALL BEARING (230v)					X																	
HC38GE462*	MOTOR FAN BALL BEARING (460v)																						
HC40GE226	MOTOR FAN BALL BEARING (230v)													X									
HC40GE466	MOTOR FAN BALL BEARING (460v)																						
HC40GE228	MOTOR FAN BALL BEARING (230v)																						
HC40GE467	MOTOR FAN BALL BEARING (460v)																						
KSALA0601AAA	MOTORMASTER 230V	X	X	X	X	X	X	X	X	X	X	X	X	X	X	X	X	X	X	X	X	X	X
KSALA0701AAA	MOTORMASTER 460V																						
KAALS0101LLS	SOLENOID VALVE	X	X	X	X	X	X	X	X	X	X	X	X	X	X	X	X	X	X	X	X	X	X
KSASH0601COP	SOUND BLKT	X	X	X	X	X	X	X	X	X	X	X	X	X	X	X	X	X	X	X	X	X	X
KSASH2101COP	SOUND BLKT																						
KAACS0201PTC	START ASSIST PTC	X	X	X	X	X	X	X	X	X	X	X	X	X	X	X	X	X	X	X	X	X	X
KSASF0101AAA	SUPPORT FEET	X	X	X	X	X	X	X	X	X	X	X	X	X	X	X	X	X	X	X	X	X	X
KAATD0011TDR	TIME DELAY	X	X	X	X	X	X	X	X	X	X	X	X	X	X	X	X	X	X	X	X	X	X
KSATX0601HSO	TXV	X	X	X	X	X	X	X	X	X	X	X	X	X	X	X	X	X	X	X	X	X	X
KSATX0701HSO	TXV																						
KSATX1001HSO	TXV																						
KAAWS0101AAA	WINTER START	X	X	X	X	X	X	X	X	X	X	X	X	X	X	X	X	X	X	X	X	X	X

X = Accessory S = Standard

*LA01RA324 Fan Blade changeout required (must use with 3 ton 460V ball bearing motor fan) (RCD)

ACCESSORY THERMOSTATS

THERMOSTAT / SUBBASE PKG.	DESCRIPTION
TP-PRH-01	Programmable Thermostat
TP-NRH-01	Non-programmable Thermostat
TB-PAC-01	Base Series Programmable AC Stat
TB-NAC-01	Base Series Non-programmable AC Stat
TSTATCCPRH01-B	Thermostat Control - Programmable / Non-Programmable Thermostat with Humidity control
TSTATCCPAC01-B	Thermostat - Auto Changeover, 7-Day Programmable, °F/°C, 1-Stage Heat, 1-Stage Cool
TSTATCCNAC01-C	Thermostat - Auto Changeover, Non-Programmable, °F/°C, 1-Stage Heat, 1-Stage Cool
TSTATCCBAC01-B	Builder's Thermostat - Manual Changeover, Non-Programmable, °F/°C, 1-Stage Heat, 1-Stage Cool
TSTATCCSEN01-B	Outdoor Air Temperature Sensor
TSTATXXBP01	Backplate for Builder's Thermostat
TSTATXXNP01	Backplate for Non-Programmable Thermostat
TSTATXXBP01	Backplate for Programmable Thermostat
TSTATXXCNV10	Thermostat Conversion Kit (4 to 5 wires) - 10 Pack

ACCESSORY USAGE GUIDELINE

ACCESSORY	REQUIRED FOR LOW-AMBIENT COOLING APPLICATIONS (Below 55°F/12.8°C)	REQUIRED FOR LONG LINE APPLICATIONS* (Over 80 ft./24.38 m)	REQUIRED FOR SEA COAST APPLICATIONS (Within 2 miles/3.22 km)
Ball Bearing Fan Motor	Yes†	No	No
Compressor Start Assist Capacitor and Relay	Yes	Yes	No
Crankcase Heater	Yes	Yes	No
Evaporator Freeze Thermostat	Yes	No	No
Hard Shut-Off TXV	Yes	Yes	Yes
Liquid Line Solenoid Valve	No	No	No
Motor Master® or Low-ambient Pressure Switch	Yes	No	No
Support Feet	Recommended	No	Recommended
Winter Start Control	Yes	No	No

* For tubing line sets between 80 and 200 ft. (24.38 and 60.96 m) and/or 20 ft. (6.09 m) vertical differential, refer to Residential Split-System Longline Application Guideline.

† Additional requirement for Low-Ambient Controller (full modulation feature) MotorMaster® Control.

Accessory Description and Usage (Listed Alphabetically)

1. Ball-Bearing Fan Motor

A fan motor with ball bearings which permits speed reduction while maintaining bearing lubrication.

Usage Guideline:

Required on all units when using MotorMaster®

2. Compressor Start Assist - Capacitor and Relay

Start capacitor and relay gives a "hard" boost to compressor motor at each start up.

Usage Guideline:

Required for single-phase scroll compressors in the following applications:

Long-Line

Low-ambient cooling

Suggested for all compressors in areas with a history of low voltage problems.

3. Compressor Start Assist — PTC Type

Solid state electrical device which gives a "soft" boost to the compressor at each start-up.

Usage Guideline:

Suggested in installations with marginal power supply.

4. Crankcase Heater

An electric resistance heater which mounts to the base of the compressor to keep the lubricant warm during off cycles. Improves compressor lubrication on restart and minimizes the chance of liquid slugging.

Usage Guideline:

Required in low-ambient cooling applications.

Required in Long-Line applications.

Suggested in all commercial applications.

5. Cycle Protector

The cycle protector is designed to prevent compressor short cycling. This control provides an approximate 5-minute delay after power to the compressor has been interrupted for any reason, including power outage, protector control trip, thermostat jiggling, or normal cycling.

6. Evaporator Freeze Thermostat

An SPST temperature-actuated switch that stops unit operation when evaporator reaches freeze-up conditions.

Usage Guideline:

Required when low-ambient kit has been added.

7. Low-Ambient Pressure Switch Kit

A long-life pressure switch which is mounted to outdoor unit service valve. It is designed to cycle the outdoor fan motor in order to maintain head pressure within normal operating limits. The control will maintain working head pressure at low-ambient temperatures down to 0°F (-17.8°C) when properly installed.

Usage Guideline:

A Low-Ambient Pressure Switch must be used when cooling operation is at outdoor temperatures below 55°F (12.8°C) to a minimum of 0°F (-17.8°C).

Suggested for all commercial applications.

8. MotorMaster® Low-Ambient Controller

A fan-speed control device activated by a temperature sensor, designed to control condenser fan motor speed in response to the saturated condensing temperature during operation in cooling mode only. For outdoor temperatures down to -20°F (-28.9°C), it maintains condensing temperature at 100°F ±10°F (37.8°C ± 6.5°C).

Usage Guideline:

A MotorMaster® Low Ambient Controller or Low-Ambient Pressure Switch must be used when cooling operation is used at outdoor temperatures below 55°F (12.8°C).

Suggested for all commercial applications.

9. Outdoor Air Temperature Sensor

Designed for use with Carrier Thermostats listed in this publication. This device enables the thermostat to display the outdoor temperature. This device is also required to enable special thermostat features such as auxiliary heat lock out.

Usage Guideline:

Suggested for all Carrier thermostats listed in this publication.

10. Sound Hood

Wraparound sound reducing cover for the compressor. Reduces the sound level by about 2 dBA.

Usage Guideline:

Suggested when unit is installed closer than 15 ft (4.57 m) to quiet areas, bedrooms, etc.

Suggested when unit is installed between two houses less than 10 ft (3.05 m) apart.

11. Support Feet

Four stick-on plastic feet that raise the unit 4 in. (101.6 mm) above the mounting pad. This allows sand, dirt, and other debris to be flushed from the unit base, minimizing corrosion.

Usage Guideline:

Suggested in the following applications:

Coastal installations.

Windy areas or where debris is normally circulating.

Roof top installations.

For improved sound ratings.

24ABS3

CHARGING SUBCOOLING (TXV-TYPE EXPANSION DEVICE)

UNIT SIZE – VOLTAGE, SERIES	REQUIRED SUBCOOLING °F (°C)
18–30, 31	10 (5.6)
24–30	11 (6.1)
24–31	10 (5.6)
30–30	10 (5.6)
30–50	10 (5.6)
31–31	10 (5.6)
36–30 36–50 36–60 36–10	7 (3.9)
42–30 42–50 42–60 42–10	11 (6.1)
48–32 48–52 48–62 48–10	10 (5.6)
60–30 60–50 60–60 60–10	10 (5.6)

24ABS3

ELECTRICAL DATA

UNIT SIZE – VOLTAGE, SERIES	V/PH	OPER VOLTS*		COMPR		FAN	MCA	MIN WIRE SIZE†	MIN WIRE SIZE†	MAX LENGTH ft. (m)‡	MAX LENGTH ft. (m)‡	MAX FUSE** or CKT BRK AMPS
		MAX	MIN	LRA	RLA	FLA		60° C	75° C	60° C	75° C	
18–30	208/230/1	253	197	40.3	7.7	0.5	10.1	14	14	78 (23.8)	74 (22.6)	15
18–31				40.3	7.7	0.5	10.1	14	14	78 (23.8)	74 (22.6)	15
24–30				54.0	10.4	0.75	13.8	14	14	57 (17.4)	54 (16.5)	20
24–31				45.2	10.4	0.5	13.6	14	14	57 (17.4)	54 (16.5)	20
30–30				68.0	14.1	1.1	18.7	14	14	42 (12.8)	40 (12.2)	30
31–31				68.0	14.1	.75	18.4	14	14	42 (12.8)	40 (12.2)	30
36–30				77.0	14.4	1.1	19.1	12	12	65 (19.8)	62 (18.9)	30
42–30				104.0	19.2	1.4	25.4	10	10	79 (24.1)	75 (22.9)	40
48–30				137.0	20.2	1.2	26.4	10	10	76 (23.2)	72 (21.9)	40
60–30				141.0	25.3	1.2	32.9	8	8	94 (28.7)	90 (27.4)	50
30–50	208/230/3	253	197	58.0	9.9	1.1	10.7	14	14	85 (25.9)	81 (24.7)	15
36–50				73.0	10.0	1.1	13.6	14	14	69 (21.0)	66 (20.1)	20
42–50				88.0	12.8	1.4	17.4	12	12	83 (25.3)	79 (24.0)	25
48–50				83.1	13.1	1.2	17.6	12	12	82 (25.0)	78 (23.8)	25
60–50				110.0	15.8	1.2	21.0	10	10	113 (34.4)	108 (32.9)	30
36–60	460/3	506	414	38.0	5.8	0.6	7.7	14	14	236 (71.9)	225 (68.6)	15
42–60				44.0	6.0	0.7	8.2	14	14	222 (67.7)	211 (64.3)	15
48–60				41.0	6.1	0.6	8.2	14	14	222 (67.7)	211 (64.3)	15
60–60				52.0	7.3	0.6	9.7	14	14	193 (58.8)	184 (56.1)	15
36–10	575/3	632	518	27.8	4.0	0.5	5.5	14	14	303 (92.4)	288 (87.8)	15
42–10				33.0	4.7	0.5	6.4	14	14	260 (79.2)	247 (75.3)	15
48–10				33.0	4.6	0.5	6.3	14	14	260 (79.2)	247 (75.3)	15
60–10				38.9	5.6	0.5	7.6	14	14	227 (69.2)	216 (65.8)	15

* Permissible limits of the voltage range at which the unit will operate satisfactorily

† If wire is applied at ambient greater than 30° C (86° F), consult table 310–16 of the NEC (ANSI/NFPA 70). The ampacity of non-metallic-sheathed cable (NM), trade name ROMEX, shall be that of 60° C (140° F) conditions, per the NEC (ANSI/NFPA 70) Article 336–26. If other than uncoated (no-plated), 60° or 75° C (140° or 167° F) insulation, copper wire (solid wire for 10 AWG or smaller, stranded wire for larger than 10 AWG) is used, consult applicable tables of the NEC (ANSI/NFPA 70).

‡ Length shown is as measured 1 way along wire path between unit and service panel for voltage drop not to exceed 2%.

** Time-Delay fuse.

FLA – Full Load Amps

LRA – Locked Rotor Amps

MCA – Minimum Circuit Amps

RLA – Rated Load Amps

NOTE: Control circuit is 24–V on all units and requires external power source. Copper wire must be used from service disconnect to unit. All motors/compressors contain internal overload protection.

Complies with 2001 requirements of ASHRAE Standards 90.1

A-WEIGHTED SOUND POWER LEVEL

UNIT SIZE	STANDARD RATING dBA	TYPICAL OCTAVE BAND SPECTRUM (dBA, without tone adjustment)						
		125	250	500	1000	2000	4000	8000
18-30	76	51.0	61.5	67.0	68.5	66.0	61.0	55.5
18-31	73	54.5	59.5	66.0	68.5	65.0	59.0	53.0
24-30	76	54.0	64.0	69.0	71.0	69.0	64.5	59.0
24-31	73	51.0	60.5	69.0	68.0	65.0	60.0	55.5
30-30	76	54.5	64.5	70.0	70.5	67.5	63.0	57.0
31-31	75	57.0	60.0	68.5	70.0	68.0	60.5	57.5
36-30	78	58.8	69.5	72.0	73.5	68.5	65.0	59.5
42-30	79	60.5	68.5	71.5	75.5	69.5	65.5	66.0
48-30	80	51.5	63.5	66.0	76.0	68.0	66.5	63.5
60-30	80	54.5	63.5	71.5	74.5	67.0	68.0	68.5

NOTE: Tested in accordance with ARI Standard 270-95 (not listed in ARI).

A-WEIGHTED SOUND POWER LEVEL WITH ACCESSORY SOUND HOOD

UNIT SIZE	STANDARD RATING dBA	TYPICAL OCTAVE BAND SPECTRUM (dBA, without tone adjustment)						
		125	250	500	1000	2000	4000	8000
18-30	74	52.5	62.5	68	69	67	61.5	55
18-31	71	55.5	60.5	64.5	67.0	63.5	58.0	52.0
24-30	75	56.5	65.0	69.5	70.0	69.0	64.5	59.0
24-31	72	52.0	62.0	67.0	66.5	63.0	58.0	52.0
30-30	75	55.0	65.5	70.0	70.0	68.0	63.0	55.5
31-31	74	55.0	60.5	68.0	69.0	67.0	60.5	56.0
36-30	78	60.5	70.0	72.5	72.5	69.5	66.5	60.0
42-30	78	61.5	68.0	71.5	74.5	68.5	63.0	61.5
48-30	79	53.0	63.5	65.0	75.0	66.0	62.0	59.5
60-30	76	55.5	63.5	70.5	72.5	65.5	64.0	63.0

NOTE: Tested in accordance with ARI Standard 270-95 (not listed in ARI).

24ABS3

24ABS3

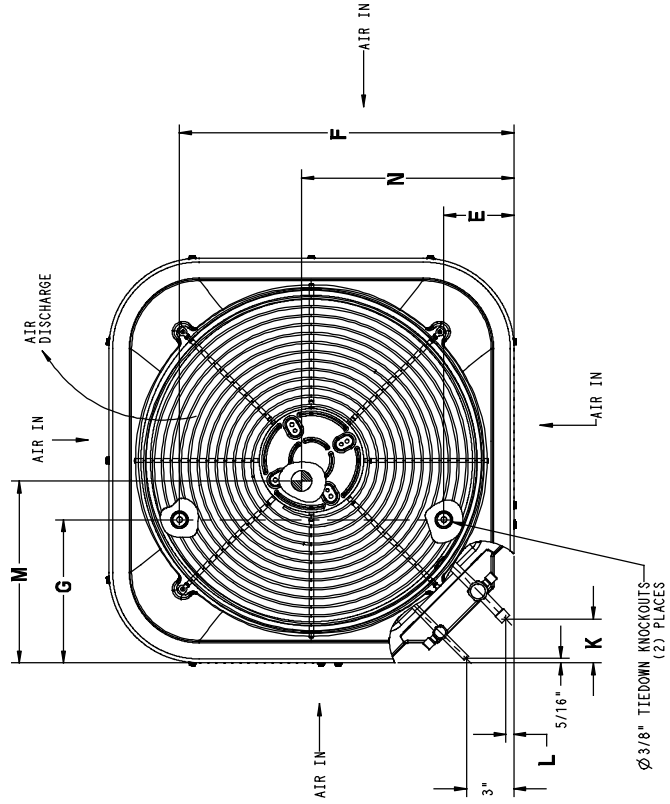
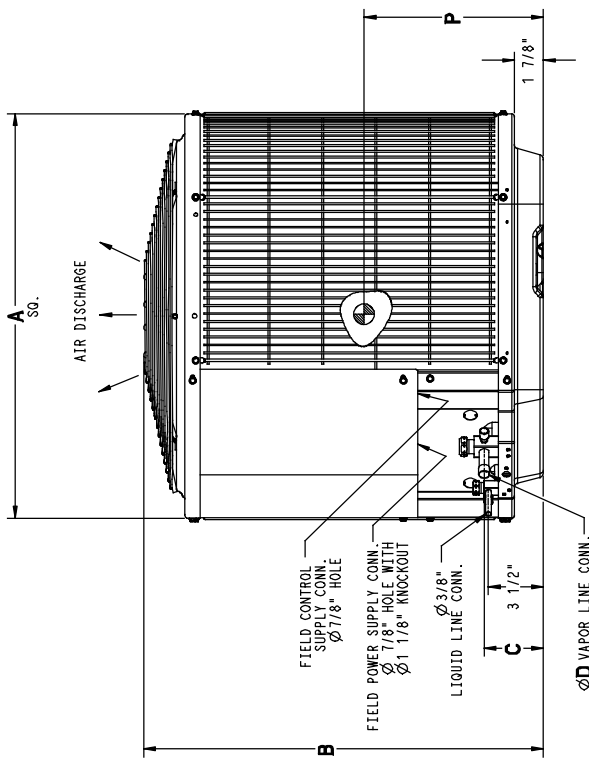
DIMENSIONS - ENGLISH SIZES 018-060 SERIES 30

UNIT	SERIES	ELECTRICAL CHARACTERISTICS	A	B	C	D	E	F	G	K	L	M	N	P	OPERATING WEIGHT (lbs)	SHIPPING WEIGHT (lbs)	SHIPPING DIMENSIONS (L x W x H)
24ABS318	0	X 0 0 0	25 3/4"	25"	3 3/4"	3/4"	4 7/16"	21 1/4"	9 1/8"	2 13/16"	1/2"	13 1/2"	14"	10 1/2"	154	120	26 7/8" X 30 1/16" X 32 9/16"
24ABS324	0	X 0 0 0	25 3/4"	25"	3 3/4"	3/4"	4 7/16"	21 1/4"	9 1/8"	2 13/16"	1/2"	11 1/2"	12 1/2"	10"	156	120	26 7/8" X 30 1/16" X 32 9/16"
24ABS330	0	X 0 0 0	25 3/4"	28 7/16"	3 3/4"	3/4"	4 7/16"	21 1/4"	9 1/8"	2 13/16"	1/2"	15 1/2"	14 1/4"	14 1/4"	170	130	26 7/8" X 30 1/16" X 32 9/16"
24ABS336	0	X X X X	31 3/16"	25 1/2"	3 7/8"	7/8"	6 9/16"	24 11/16"	9 1/8"	2 13/16"	1/2"	16"	15 1/4"	13"	177	139	32 3/8" X 35 1/2" X 32 9/16"
24ABS342	0	X X X X	31 3/16"	39 1/8"	3 7/8"	7/8"	6 9/16"	24 11/16"	9 1/8"	2 15/16"	5/8"	16 7/8"	16"	18 3/4"	192	220	32 3/8" X 35 1/2" X 42 3/4"
24ABS348	0	X X X X	35"	35 3/4"	3 7/8"	7/8"	6 9/16"	28 7/16"	9 1/8"	2 15/16"	5/8"	18 1/4"	18 1/2"	17 1/2"	208	240	36 1/8" X 39 5/16" X 39 3/8"
24ABS360	0	X X X X	35"	39 1/8"	3 7/8"	7/8"	6 9/16"	28 7/16"	9 1/8"	2 15/16"	5/8"	17 1/4"	16"	15 1/2"	265	222	36 1/8" X 39 5/16" X 42 3/4"

- NOTES:
1. ALLOW 30" CLEARANCE TO SERVICE SIDE OF UNIT. 48" ABOVE UNIT, 6" ON ONE SIDE, 12" ON REMAINING SIDE, AND 24" BETWEEN UNITS FOR PROPER AIRFLOW.
 2. MINIMUM OUTDOOR OPERATING AMBIENT IN COOLING MODE IS 55°F, MAX. 125°F.
 3. SERIES DESIGNATION IS THE 13TH POSITION OF THE UNIT MODEL NUMBER.
 4. CENTER OF GRAVITY
 5. ALL DIMENSIONS ARE IN "INCHES" UNLESS NOTED.

X = YES
O = NO

208-230-160	575-3-60	208/230-3-60	460-3-60
-------------	----------	--------------	----------



UNIT SIZE	MINIMUM MOUNTING PAD DIMENSIONS
18, 24, 30	26" X 26"
36, 42	31 1/2" X 31 1/2"
48, 60	35" X 35"

DIMENSIONS - ENGLISH SIZES 018-031 SERIES 31

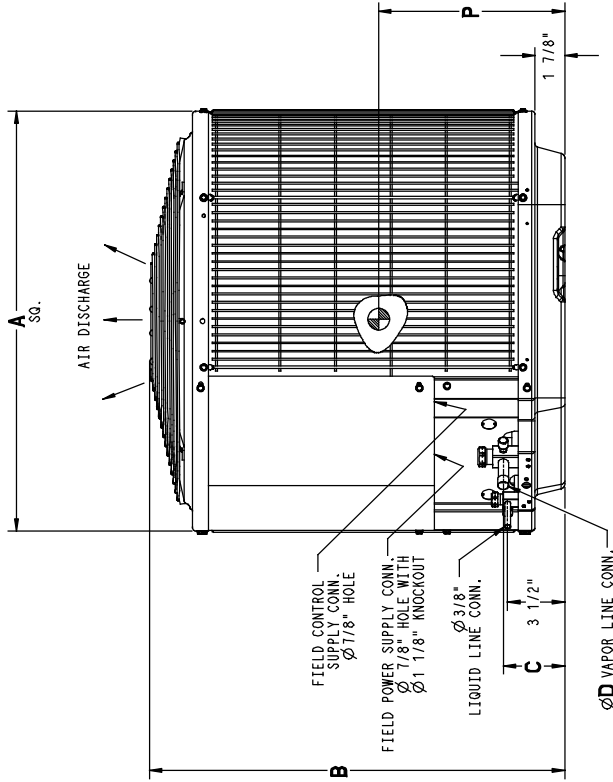
UNIT	SERIES	ELECTRICAL CHARACTERISTICS	A	B	C	D	E	F	G	K	L	M	N	P	OPERATING WEIGHT (lbs)	SHIPPING WEIGHT (lbs)	SHIPPING DIMENSIONS (L x W x H)
24ABS318	1	X 0 0 0	23 1/2"	25 5/16"	3 3/4"	3/4"	4 7/16"	18 1/16"	7 13/16"	2 13/16"	1/2"	16 1/2"	15"	10"	106	129	24 1/4" X 27 3/8" X 33 1/2"
24ABS324	1	X 0 0 0	23 1/2"	28 11/16"	3 3/4"	3/4"	4 7/16"	18 1/16"	7 13/16"	2 13/16"	1/2"	16 1/2"	15"	14"	110	134	24 1/4" X 27 3/8" X 33 1/2"
24ABS331	1	X 0 0 0	23 1/2"	28 11/16"	3 3/4"	3/4"	4 7/16"	18 1/16"	7 13/16"	2 13/16"	1/2"	16 1/2"	15"	14"	113	137	24 1/4" X 27 3/8" X 33 1/2"

NOTES:

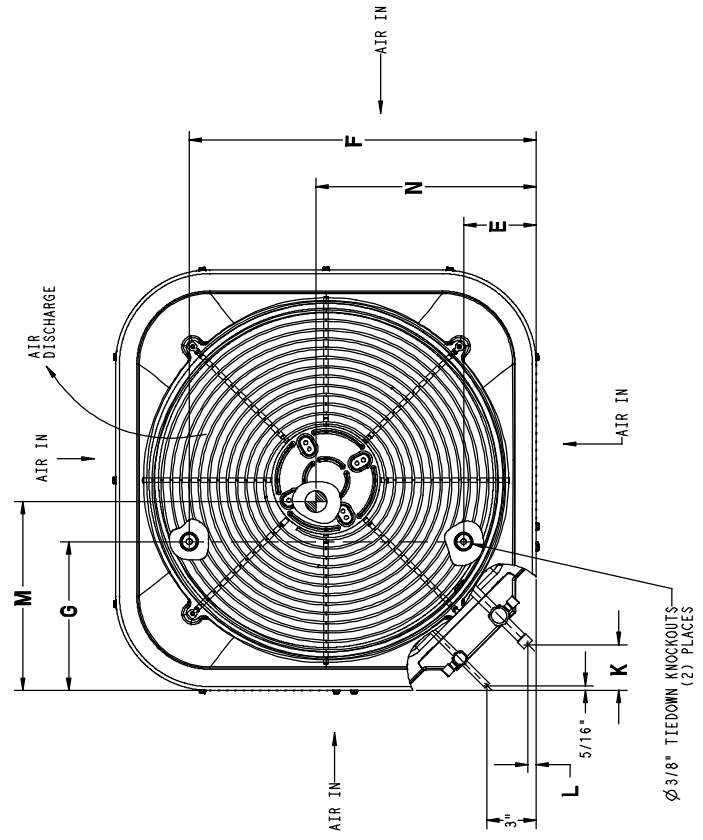
1. ALLOW 30" CLEARANCE TO SERVICE SIDE OF UNIT, 48" ABOVE UNIT, 6" ON ONE SIDE, 12" ON REMAINING SIDE, AND 24" BETWEEN UNITS FOR PROPER AIRFLOW.
2. MINIMUM OUTDOOR OPERATING AMBIENT IN COOLING MODE IS 55°F, MAX. 125°F.
3. SERIES DESIGNATION IS THE 10TH POSITION OF THE UNIT MODEL NUMBER.
4. CENTER OF GRAVITY
5. ALL DIMENSIONS ARE IN "INCHES" UNLESS NOTED.

X = YES
0 = NO

208-230-160	230-160	208/230-3-60	460-3-60
-------------	---------	--------------	----------



UNIT SIZE	MINIMUM MOUNTING PAD DIMENSIONS
18, 24, 31	23 1/2" X 23 1/2"
-	26" X 26"
-	31 1/2" X 31 1/2"
-	35" X 35"



24ABS3


DIMENSIONS - SI SIZES 18-60 SERIES 30

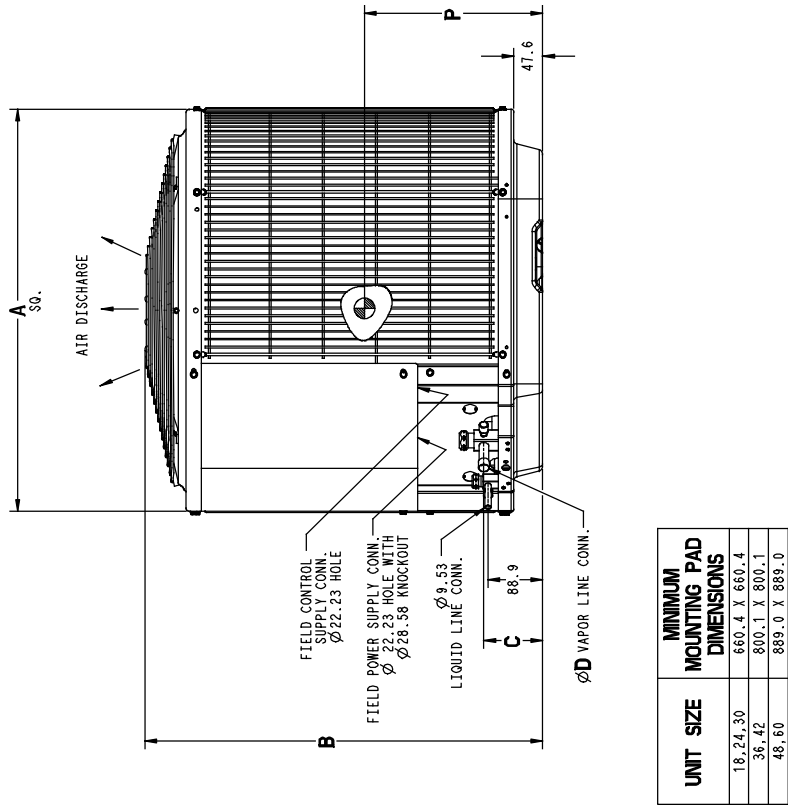
UNIT	SERIES	ELECTRICAL CHARACTERISTICS	A	B	C	D	E	F	G	K	L	M	N	P	OPERATING WEIGHT (Kgs)	SHIPPING WEIGHT (Kgs)	SHIPPING DIMENSIONS (L x W x H)
24ABS318	0	X 0 0 0	654.0	635.0	95.2	19.0	112.7	539.8	231.8	71.4	12.7	342.9	355.6	266.7	69.8	54.4	662.6 X 763.6 X 827.1
24ABS324	0	X 0 0 0	654.0	635.0	95.2	19.0	112.7	539.8	231.8	71.4	12.7	292.1	317.5	254.0	70.8	54.4	662.6 X 763.6 X 827.1
24ABS330	0	X 0 X 0	654.0	722.3	95.2	19.0	112.7	539.8	231.8	71.4	12.7	393.7	317.5	362.0	77.1	59.0	662.6 X 763.6 X 827.1
24ABS336	0	X X X X	792.2	647.7	98.4	22.2	166.7	627.1	231.8	71.4	12.7	406.4	387.4	330.2	80.3	63.0	822.3 X 901.7 X 1085.8
24ABS342	0	X X X X	792.2	993.8	98.4	22.2	166.7	627.1	231.8	74.6	15.9	428.6	408.4	476.2	87.1	99.8	822.3 X 901.7 X 1085.8
24ABS348	0	X X X X	889.0	908.0	98.4	22.2	166.7	722.3	231.8	74.6	15.9	463.6	469.9	444.5	94.3	108.9	917.6 X 998.6 X 1000.1
24ABS360	0	X X X X	889.0	993.8	98.4	22.2	166.7	722.3	231.8	74.6	15.9	438.2	408.4	393.7	120.2	100.7	917.6 X 998.6 X 1085.8

X = YES
O = NO

460-3-60
208/230-3-60
575-3-60
208-230-1-60

NOTES:

1. ALLOW 762.0 CLEARANCE TO SERVICE SIDE OF UNIT, 1219.2 ABOVE UNIT, 152.4 ON ONE SIDE, 304.8 ON REMAINING SIDE, AND 609.6 BETWEEN UNITS FOR PROPER AIRFLOW.
2. MINIMUM OUTDOOR OPERATING AMBIENT IN COOLING MODE IS 13°C, MAX. 32°C.
3. SERIES DESIGNATION IS THE 10TH POSITION OF THE UNIT MODEL NUMBER.
4. CENTER OF GRAVITY 
5. ALL DIMENSIONS ARE IN "MM" UNLESS NOTED.



UNIT SIZE	MINIMUM MOUNTING PAD DIMENSIONS
18, 24, 30	660.4 X 660.4
36, 42	800.1 X 800.1
48, 60	889.0 X 889.0

DIMENSIONS - SI SIZES 18-31 SERIES 31

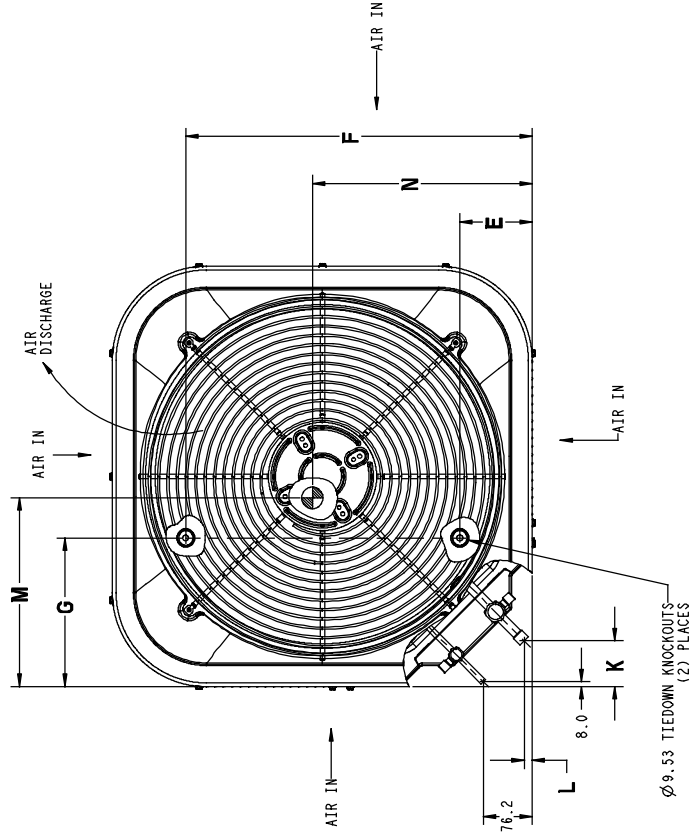
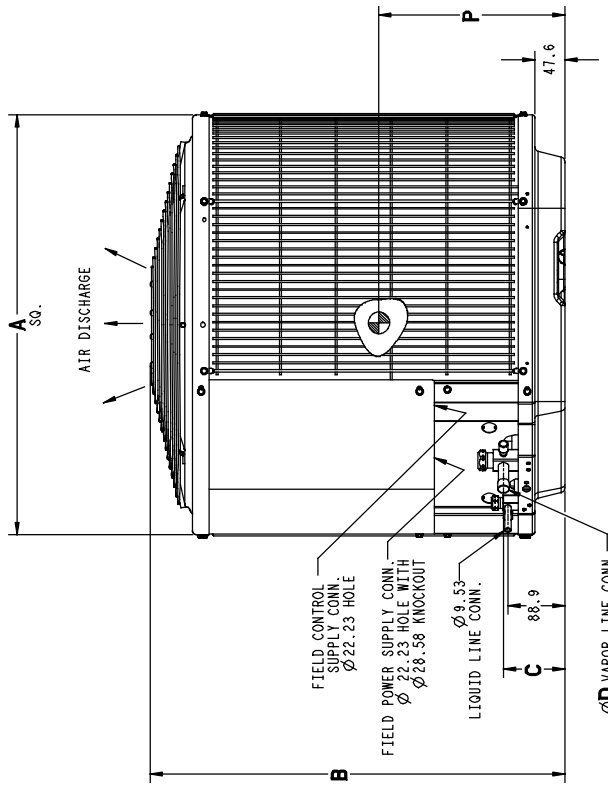
UNIT	SERIES	ELECTRICAL CHARACTERISTICS	A	B	C	D	E	F	G	K	L	M	N	P	OPERATING WEIGHT (Kgs)	SHIPPING WEIGHT (Kgs)	SHIPPING DIMENSIONS (L x W x H)
24ABS318	1	X 0 0 0	596.9	643.0	95.2	19.0	112.7	458.8	198.4	71.4	12.7	419.1	381.0	254.0	48.1	58.5	616.0 X 695.3 X 850.9
24ABS324	1	X 0 0 0	596.9	728.7	95.2	19.0	112.7	458.8	198.4	71.4	12.7	419.1	381.0	355.6	49.9	60.8	616.0 X 695.3 X 850.9
24ABS331	1	X 0 0 0	596.9	728.7	95.2	19.0	112.7	458.8	198.4	71.4	12.7	419.1	381.0	355.6	51.2	62.1	616.0 X 695.3 X 850.9

NOTES:

1. ALLOW 762.0 CLEARANCE TO SERVICE SIDE OF UNIT, 1219.2 ABOVE UNIT, 152.4 ON ONE SIDE, 304.8 ON REMAINING SIDE, AND 609.6 BETWEEN UNITS FOR PROPER AIRFLOW.
2. MINIMUM OUTDOOR OPERATING AMBIENT IN COOLING MODE IS 13°C, MAX. 52°C.
3. SERIES DESIGNATION IS THE 10TH POSITION OF THE UNIT MODEL NUMBER.
4. CENTER OF GRAVITY
5. ALL DIMENSIONS ARE IN "MM" UNLESS NOTED.

X = YES
O = NO

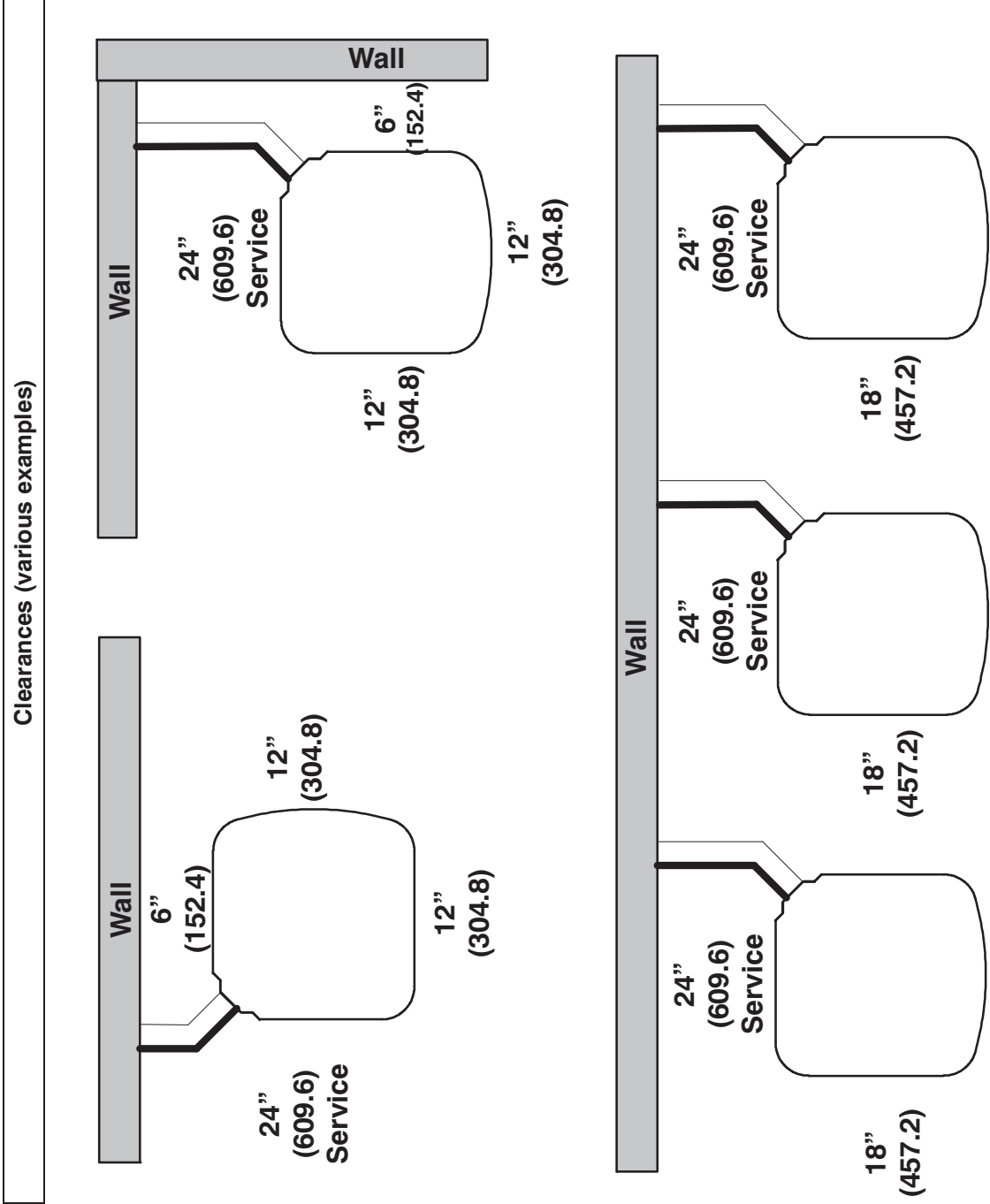
208-230-160	230-160	208/230-360	460-360
-------------	---------	-------------	---------



UNIT SIZE	MINIMUM MOUNTING PAD DIMENSIONS
18, 24, 31	596.9 X 596.9
-	660.4 X 660.4
-	800.1 X 800.1
-	889.0 X 889.0

24ABS3

CLEARANCES



Note: Numbers in () = mm

IMPORTANT: When installing multiple units in an alcove, roof well, or partially enclosed area, ensure there is adequate ventilation to prevent re-circulation of discharge air.

COMBINATION RATINGS

ARI Ref. No.	Model Number	Indoor Model	Furnace Model	Capacity	EER	SEER	Phase
3039445	24ABS318(A,G)30	†CAR**1814A**+TDR		17100	11.20	13.00	1
3039452	24ABS318(A,G)30	CAR**1814A**	58CV(A,X)070-12	17000	12.00	14.00	1
3039446	24ABS318(A,G)30	CAR**1814A**	58PH*045-08	17200	12.20	14.50	1
3039453	24ABS318(A,G)30	CAR**2414A**	58CV(A,X)070-12	17300	12.00	14.00	1
3039447	24ABS318(A,G)30	CAR**2414A**	58PH*045-08	17700	12.20	14.50	1
3039455	24ABS318(A,G)30	CAR**2417A**	58CV(A,X)090-16	17400	12.00	14.00	1
3113276	24ABS318(A,G)30	CAR**2417A**	58MEB040-12	17600	13.00	15.00	1
3113277	24ABS318(A,G)30	CAR**2417A**	58MEB060-12	17600	13.00	15.00	1
3039454	24ABS318(A,G)30	CAR**2417A**	58MV(B,C)060-14	17400	12.00	14.00	1
3039466	24ABS318(A,G)30	CNRF*2418A**+TDR		17500	11.20	13.00	1
3039464	24ABS318(A,G)30	CNRH*2417A**	58CV(A,X)070-12	17400	12.00	14.00	1
3039465	24ABS318(A,G)30	CNRH*2417A**	58CV(A,X)090-16	17500	12.00	14.00	1
3113280	24ABS318(A,G)30	CNRH*2417A**	58MEB040-12	17600	13.00	15.00	1
3113281	24ABS318(A,G)30	CNRH*2417A**	58MEB060-12	17600	13.00	15.00	1
3039461	24ABS318(A,G)30	CNRH*2417A**	58MV(B,C)040-14	17400	12.00	14.00	1
3039462	24ABS318(A,G)30	CNRH*2417A**	58MV(B,C)060-14	17400	12.00	14.00	1
3039463	24ABS318(A,G)30	CNRH*2417A**	58MV(B,C)080-14	17400	12.00	14.00	1
3039450	24ABS318(A,G)30	CNRH*2417A**	58PH*045-08	17700	12.20	14.50	1
3039460	24ABS318(A,G)30	CNRH*2417A**+TDR		17500	11.20	13.00	1
3039456	24ABS318(A,G)30	CNRV*1814A**	58CV(A,X)070-12	17300	12.00	14.00	1
3039448	24ABS318(A,G)30	CNRV*1814A**	58PH*045-08	17200	12.20	14.50	1
3092027	24ABS318(A,G)30	CNRV*1814A**+TDR		17100	11.20	13.00	1
3039457	24ABS318(A,G)30	CNRV*2414A**	58CV(A,X)070-12	17400	12.00	14.00	1
3039449	24ABS318(A,G)30	CNRV*2414A**	58PH*045-08	17700	12.20	14.50	1
3039459	24ABS318(A,G)30	CNRV*2417A**	58CV(A,X)090-16	17500	12.00	14.00	1
3113278	24ABS318(A,G)30	CNRV*2417A**	58MEB040-12	17600	13.00	15.00	1
3113279	24ABS318(A,G)30	CNRV*2417A**	58MEB060-12	17600	13.00	15.00	1
3039458	24ABS318(A,G)30	CNRV*2417A**	58MV(B,C)060-14	17400	12.00	14.00	1
3039471	24ABS318(A,G)30	CSRH*2412A**	58CV(A,X)070-12	17400	12.00	14.00	1
3039472	24ABS318(A,G)30	CSRH*2412A**	58CV(A,X)090-16	17500	12.00	14.00	1
3113282	24ABS318(A,G)30	CSRH*2412A**	58MEB040-12	17600	13.00	15.00	1
3113283	24ABS318(A,G)30	CSRH*2412A**	58MEB060-12	17600	13.00	15.00	1
3039468	24ABS318(A,G)30	CSRH*2412A**	58MV(B,C)040-14	17600	12.00	14.00	1
3039469	24ABS318(A,G)30	CSRH*2412A**	58MV(B,C)060-14	17400	12.00	14.00	1
3039470	24ABS318(A,G)30	CSRH*2412A**	58MV(B,C)080-14	17400	12.00	14.00	1
3039451	24ABS318(A,G)30	CSRH*2412A**	58PH*045-08	17700	12.20	14.50	1
3039467	24ABS318(A,G)30	CSRH*2412A**+TDR		17500	11.20	13.00	1
3039473	24ABS318(A,G)30	FA4CN(F,C)018		17300	11.20	13.00	1
3039474	24ABS318(A,G)30	FA4CN(F,C)024		17300	11.20	13.00	1
3039475	24ABS318(A,G)30	FC4DNF018		17600	12.00	14.00	1
3039476	24ABS318(A,G)30	FC4DNF024		17700	12.00	14.00	1
3039477	24ABS318(A,G)30	FF1ENE018		17000	11.20	13.00	1
3039478	24ABS318(A,G)30	FF1ENE024		17400	11.50	13.20	1
3039479	24ABS318(A,G)30	FK4DNF001		17500	12.00	14.00	1
3039480	24ABS318(A,G)30	FK4DNF002		16900	12.00	14.00	1
3163390	24ABS318(A,G)31	†CAR**1814A**+TDR		17000	11.20	13.00	1
3163391	24ABS318(A,G)31	CAR**1814A**	58CV(A,X)070-12	17000	12.20	14.50	1
3163392	24ABS318(A,G)31	CAR**1814A**	58PH*045-08	17000	12.20	14.50	1
3163394	24ABS318(A,G)31	CAR**2414A**	58CV(A,X)070-12	17000	13.00	14.50	1
3163395	24ABS318(A,G)31	CAR**2414A**	58PH*045-08	17000	13.00	15.00	1
3163393	24ABS318(A,G)31	CAR**2414A**+TDR		17000	11.70	13.50	1
3163398	24ABS318(A,G)31	CAR**2417A**	58CV(A,X)090-16	17000	13.00	15.00	1
3163399	24ABS318(A,G)31	CAR**2417A**	58MEB040-12	17000	13.00	15.00	1
3163400	24ABS318(A,G)31	CAR**2417A**	58MEB060-12	17000	13.00	15.00	1
3163397	24ABS318(A,G)31	CAR**2417A**	58MV(B,C)060-14	17000	13.00	14.50	1
3163396	24ABS318(A,G)31	CAR**2417A**+TDR		17000	11.70	13.50	1
3163421	24ABS318(A,G)31	CNRF*2418A**+TDR		17000	11.70	13.50	1
3163416	24ABS318(A,G)31	CNRH*2417A**	58CV(A,X)070-12	17000	13.00	14.50	1
3163417	24ABS318(A,G)31	CNRH*2417A**	58CV(A,X)090-16	17000	13.00	15.00	1
3163419	24ABS318(A,G)31	CNRH*2417A**	58MEB040-12	17000	13.00	15.00	1
3163420	24ABS318(A,G)31	CNRH*2417A**	58MEB060-12	17000	13.00	15.00	1
3163414	24ABS318(A,G)31	CNRH*2417A**	58MV(B,C)060-14	17000	13.00	14.50	1
3163415	24ABS318(A,G)31	CNRH*2417A**	58MV(B,C)080-14	17000	13.00	15.00	1
3163413	24ABS318(A,G)31	CNRH*2417A**	58MVB040-14	17000	13.00	15.00	1
3163418	24ABS318(A,G)31	CNRH*2417A**	58PH*045-08	17000	13.00	15.00	1
3163412	24ABS318(A,G)31	CNRH*2417A**+TDR		17000	11.70	13.50	1
3163402	24ABS318(A,G)31	CNRV*1814A**	58CV(A,X)070-12	17000	12.20	14.50	1
3163403	24ABS318(A,G)31	CNRV*1814A**	58PH*045-08	17000	12.20	14.50	1
3163401	24ABS318(A,G)31	CNRV*1814A**+TDR		17000	11.20	13.00	1
3163405	24ABS318(A,G)31	CNRV*2414A**	58CV(A,X)070-12	17000	13.00	14.50	1
3163406	24ABS318(A,G)31	CNRV*2414A**	58PH*045-08	17000	13.00	15.00	1
3163404	24ABS318(A,G)31	CNRV*2414A**+TDR		17000	11.70	13.50	1
3163409	24ABS318(A,G)31	CNRV*2417A**	58CV(A,X)090-16	17000	13.00	15.00	1

24ABS3

See notes on pg. 32

COMBINATION RATINGS CONTINUED

24ABS3

ARI Ref. No.	Model Number	Indoor Model	Furnace Model	Capacity	EER	SEER	Phase
3163410	24ABS318(A,G)31	CNRV*2417A**	58MEB040-12	17000	13.00	15.00	1
3163411	24ABS318(A,G)31	CNRV*2417A**	58MEB060-12	17000	13.00	15.00	1
3163408	24ABS318(A,G)31	CNRV*2417A**	58MV(B,C)060-14	17000	13.00	14.50	1
3163407	24ABS318(A,G)31	CNRV*2417A**+TDR		17000	11.70	13.50	1
3163426	24ABS318(A,G)31	CSRH*2412A**	58CV(A,X)070-12	17000	13.00	14.50	1
3163427	24ABS318(A,G)31	CSRH*2412A**	58CV(A,X)090-16	17000	13.00	15.00	1
3163429	24ABS318(A,G)31	CSRH*2412A**	58MEB040-12	17000	13.00	15.00	1
3163430	24ABS318(A,G)31	CSRH*2412A**	58MEB060-12	17000	13.00	15.00	1
3163424	24ABS318(A,G)31	CSRH*2412A**	58MV(B,C)060-14	17000	13.00	14.50	1
3163425	24ABS318(A,G)31	CSRH*2412A**	58MV(B,C)080-14	17000	13.00	15.00	1
3163423	24ABS318(A,G)31	CSRH*2412A**	58MVB040-14	17000	13.00	15.00	1
3163428	24ABS318(A,G)31	CSRH*2412A**	58PH*045-08	17000	13.00	15.00	1
3163422	24ABS318(A,G)31	CSRH*2412A**+TDR		17000	11.70	13.50	1
3163431	24ABS318(A,G)31	FA4CN(F,C)018		17000	11.20	13.00	1
3163432	24ABS318(A,G)31	FA4CN(F,C)024		17000	11.20	13.20	1
3163433	24ABS318(A,G)31	FC4DNF018		17000	12.20	14.50	1
3163434	24ABS318(A,G)31	FC4DNF024		17000	12.50	15.00	1
3163435	24ABS318(A,G)31	FF1ENE018		17000	11.20	13.20	1
3163436	24ABS318(A,G)31	FF1ENE024		17000	11.70	13.50	1
3163437	24ABS318(A,G)31	FK4DNF001		17000	12.50	15.00	1
3163438	24ABS318(A,G)31	FK4DNF002		17000	12.50	15.00	1
3039481	24ABS324(A,G)30	†CAR**2414A**+TDR		23000	11.20	13.00	1
3039490	24ABS324(A,G)30	CAR**2414A**	58CV(A,X)070-12	22800	12.00	14.00	1
3039482	24ABS324(A,G)30	CAR**2414A**	58PH*045-08	23600	12.00	14.00	1
3039493	24ABS324(A,G)30	CAR**2417A**	58CV(A,X)090-16	22800	12.00	14.00	1
3113284	24ABS324(A,G)30	CAR**2417A**	58MEB040-12	23600	12.50	14.50	1
3113285	24ABS324(A,G)30	CAR**2417A**	58MEB060-12	23600	12.50	14.50	1
3113286	24ABS324(A,G)30	CAR**2417A**	58MEB080-12	23600	12.50	14.50	1
3039492	24ABS324(A,G)30	CAR**2417A**	58MV(B,C)060-14	23200	12.00	14.00	1
3039491	24ABS324(A,G)30	CAR**2417A**+TDR		23000	11.20	13.00	1
3039495	24ABS324(A,G)30	CAR**3014A**	58CV(A,X)070-12	22800	12.00	14.00	1
3039483	24ABS324(A,G)30	CAR**3014A**	58PH*045-08	23800	12.00	14.25	1
3039494	24ABS324(A,G)30	CAR**3014A**+TDR		23000	11.20	13.00	1
3039498	24ABS324(A,G)30	CAR**3017A**	58CV(A,X)090-16	23000	12.00	14.00	1
3113287	24ABS324(A,G)30	CAR**3017A**	58MEB040-12	23600	12.50	14.50	1
3113288	24ABS324(A,G)30	CAR**3017A**	58MEB060-12	23600	12.50	14.50	1
3113289	24ABS324(A,G)30	CAR**3017A**	58MEB080-12	23600	12.50	14.50	1
3039497	24ABS324(A,G)30	CAR**3017A**	58MV(B,C)060-14	23200	12.00	14.00	1
3039496	24ABS324(A,G)30	CAR**3017A**+TDR		23000	11.20	13.00	1
3039533	24ABS324(A,G)30	CNRH*2418A**+TDR		23000	11.20	13.00	1
3039516	24ABS324(A,G)30	CNRH*2417A**	58CV(A,X)070-12	22800	12.00	14.00	1
3039517	24ABS324(A,G)30	CNRH*2417A**	58CV(A,X)090-16	22800	12.00	14.00	1
3039518	24ABS324(A,G)30	CNRH*2417A**	58CV(A,X)110-20	22800	12.00	14.00	1
3039519	24ABS324(A,G)30	CNRH*2417A**	58CV(A,X)135-22	22800	12.00	14.00	1
3039520	24ABS324(A,G)30	CNRH*2417A**	58CV(A,X)155-22	22800	12.00	14.00	1
3113296	24ABS324(A,G)30	CNRH*2417A**	58MEB040-12	23600	12.50	14.50	1
3113297	24ABS324(A,G)30	CNRH*2417A**	58MEB060-12	23600	12.50	14.50	1
3113298	24ABS324(A,G)30	CNRH*2417A**	58MEB080-12	23600	12.50	14.50	1
3039510	24ABS324(A,G)30	CNRH*2417A**	58MV(B,C)040-14	22800	12.00	14.00	1
3039511	24ABS324(A,G)30	CNRH*2417A**	58MV(B,C)060-14	23200	12.00	14.00	1
3039512	24ABS324(A,G)30	CNRH*2417A**	58MV(B,C)080-14	22800	12.00	14.00	1
3039513	24ABS324(A,G)30	CNRH*2417A**	58MV(B,C)080-20	22600	12.00	14.00	1
3039514	24ABS324(A,G)30	CNRH*2417A**	58MV(B,C)100-20	22800	12.00	14.00	1
3039515	24ABS324(A,G)30	CNRH*2417A**	58MV(B,C)120-20	23000	12.00	14.00	1
3039486	24ABS324(A,G)30	CNRH*2417A**	58PH*045-08	23600	12.00	14.00	1
3039509	24ABS324(A,G)30	CNRH*2417A**+TDR		23000	11.20	13.00	1
3039528	24ABS324(A,G)30	CNRH*3017A**	58CV(A,X)070-12	23000	12.00	14.00	1
3039529	24ABS324(A,G)30	CNRH*3017A**	58CV(A,X)090-16	23000	12.00	14.00	1
3039530	24ABS324(A,G)30	CNRH*3017A**	58CV(A,X)110-20	23000	12.00	14.00	1
3039531	24ABS324(A,G)30	CNRH*3017A**	58CV(A,X)135-22	23000	12.00	14.00	1
3039532	24ABS324(A,G)30	CNRH*3017A**	58CV(A,X)155-22	23000	12.00	14.00	1
3113299	24ABS324(A,G)30	CNRH*3017A**	58MEB040-12	23600	12.50	14.50	1
3113300	24ABS324(A,G)30	CNRH*3017A**	58MEB060-12	23600	12.50	14.50	1
3113301	24ABS324(A,G)30	CNRH*3017A**	58MEB080-12	23600	12.50	14.50	1
3039522	24ABS324(A,G)30	CNRH*3017A**	58MV(B,C)040-14	23000	12.00	14.00	1
3039523	24ABS324(A,G)30	CNRH*3017A**	58MV(B,C)060-14	23200	12.00	14.00	1
3039524	24ABS324(A,G)30	CNRH*3017A**	58MV(B,C)080-14	23000	12.00	14.00	1
3039525	24ABS324(A,G)30	CNRH*3017A**	58MV(B,C)080-20	22800	12.00	14.00	1
3039526	24ABS324(A,G)30	CNRH*3017A**	58MV(B,C)100-20	23000	12.00	14.00	1
3039527	24ABS324(A,G)30	CNRH*3017A**	58MV(B,C)120-20	23000	12.00	14.00	1
3039487	24ABS324(A,G)30	CNRH*3017A**	58PH*045-08	23600	12.00	14.25	1
3039521	24ABS324(A,G)30	CNRH*3017A**+TDR		23000	11.20	13.00	1

See notes on pg. 32

COMBINATION RATINGS CONTINUED

ARI Ref. No.	Model Number	Indoor Model	Furnace Model	Capacity	EER	SEER	Phase
3039500	24ABS324(A,G)30	CNRV*2414A**	58CV(A,X)070-12	22800	12.00	14.00	1
3039484	24ABS324(A,G)30	CNRV*2414A**	58PH*045-08	23600	12.00	14.00	1
3039499	24ABS324(A,G)30	CNRV*2414A**+TDR		23000	11.20	13.00	1
3039503	24ABS324(A,G)30	CNRV*2417A**	58CV(A,X)090-16	22800	12.00	14.00	1
3113290	24ABS324(A,G)30	CNRV*2417A**	58MEB040-12	23600	12.50	14.50	1
3113291	24ABS324(A,G)30	CNRV*2417A**	58MEB060-12	23600	12.50	14.50	1
3113292	24ABS324(A,G)30	CNRV*2417A**	58MEB080-12	23600	12.50	14.50	1
3039502	24ABS324(A,G)30	CNRV*2417A**	58MV(B,C)060-14	23000	12.00	14.00	1
3039501	24ABS324(A,G)30	CNRV*2417A**+TDR		23000	11.20	13.00	1
3039505	24ABS324(A,G)30	CNRV*3014A**	58CV(A,X)070-12	22800	12.00	14.00	1
3039485	24ABS324(A,G)30	CNRV*3014A**	58PH*045-08	23600	12.00	14.25	1
3039504	24ABS324(A,G)30	CNRV*3014A**+TDR		23000	11.20	13.00	1
3039508	24ABS324(A,G)30	CNRV*3017A**	58CV(A,X)090-16	23000	12.00	14.00	1
3113293	24ABS324(A,G)30	CNRV*3017A**	58MEB040-12	23600	12.50	14.50	1
3113294	24ABS324(A,G)30	CNRV*3017A**	58MEB060-12	23600	12.50	14.50	1
3113295	24ABS324(A,G)30	CNRV*3017A**	58MEB080-12	23600	12.50	14.50	1
3039507	24ABS324(A,G)30	CNRV*3017A**	58MV(B,C)060-14	23000	12.00	14.00	1
3039506	24ABS324(A,G)30	CNRV*3017A**+TDR		23000	11.20	13.00	1
3039541	24ABS324(A,G)30	CSRH*2412A**	58CV(A,X)070-12	23000	12.00	14.00	1
3039542	24ABS324(A,G)30	CSRH*2412A**	58CV(A,X)090-16	23200	12.00	14.00	1
3039543	24ABS324(A,G)30	CSRH*2412A**	58CV(A,X)110-20	23200	12.00	14.00	1
3039544	24ABS324(A,G)30	CSRH*2412A**	58CV(A,X)135-22	23200	12.00	14.00	1
3039545	24ABS324(A,G)30	CSRH*2412A**	58CV(A,X)155-22	23200	12.00	14.00	1
3113302	24ABS324(A,G)30	CSRH*2412A**	58MEB040-12	23600	12.50	14.50	1
3113303	24ABS324(A,G)30	CSRH*2412A**	58MEB060-12	23600	12.50	14.50	1
3113304	24ABS324(A,G)30	CSRH*2412A**	58MEB080-12	23600	12.50	14.50	1
3039535	24ABS324(A,G)30	CSRH*2412A**	58MV(B,C)040-14	23200	12.00	14.00	1
3039536	24ABS324(A,G)30	CSRH*2412A**	58MV(B,C)060-14	23400	12.00	14.00	1
3039537	24ABS324(A,G)30	CSRH*2412A**	58MV(B,C)080-14	23000	12.00	14.00	1
3039538	24ABS324(A,G)30	CSRH*2412A**	58MV(B,C)080-20	23000	12.00	14.00	1
3039539	24ABS324(A,G)30	CSRH*2412A**	58MV(B,C)100-20	23200	12.00	14.00	1
3039540	24ABS324(A,G)30	CSRH*2412A**	58MV(B,C)120-20	23200	12.00	14.00	1
3039488	24ABS324(A,G)30	CSRH*2412A**	58PH*045-08	23600	12.00	14.00	1
3039534	24ABS324(A,G)30	CSRH*2412A**+TDR		23400	11.20	13.00	1
3039553	24ABS324(A,G)30	CSRH*3012A**	58CV(A,X)070-12	23000	12.00	14.00	1
3039554	24ABS324(A,G)30	CSRH*3012A**	58CV(A,X)090-16	23200	12.00	14.00	1
3039555	24ABS324(A,G)30	CSRH*3012A**	58CV(A,X)110-20	23200	12.00	14.00	1
3039556	24ABS324(A,G)30	CSRH*3012A**	58CV(A,X)135-22	23200	12.00	14.00	1
3039557	24ABS324(A,G)30	CSRH*3012A**	58CV(A,X)155-22	23200	12.00	14.00	1
3113305	24ABS324(A,G)30	CSRH*3012A**	58MEB040-12	23600	12.50	14.50	1
3113306	24ABS324(A,G)30	CSRH*3012A**	58MEB060-12	23600	12.50	14.50	1
3113307	24ABS324(A,G)30	CSRH*3012A**	58MEB080-12	23600	12.50	14.50	1
3039547	24ABS324(A,G)30	CSRH*3012A**	58MV(B,C)040-14	23000	12.00	14.00	1
3039548	24ABS324(A,G)30	CSRH*3012A**	58MV(B,C)060-14	23400	12.00	14.00	1
3039549	24ABS324(A,G)30	CSRH*3012A**	58MV(B,C)080-14	23000	12.00	14.00	1
3039550	24ABS324(A,G)30	CSRH*3012A**	58MV(B,C)080-20	22800	12.00	14.00	1
3039551	24ABS324(A,G)30	CSRH*3012A**	58MV(B,C)100-20	23000	12.00	14.00	1
3039552	24ABS324(A,G)30	CSRH*3012A**	58MV(B,C)120-20	23200	12.00	14.00	1
3039489	24ABS324(A,G)30	CSRH*3012A**	58PH*045-08	23600	12.00	14.25	1
3039546	24ABS324(A,G)30	CSRH*3012A**+TDR		23200	11.20	13.00	1
3039558	24ABS324(A,G)30	FA4CN(F,C)024		22800	11.20	13.00	1
3039559	24ABS324(A,G)30	FA4CN(F,C)030		23000	11.20	13.00	1
3039560	24ABS324(A,G)30	FC4DNF024		23200	12.00	14.00	1
3039561	24ABS324(A,G)30	FC4DNF030		23400	12.00	14.00	1
3039562	24ABS324(A,G)30	FF1ENE024		22600	11.20	13.00	1
3039563	24ABS324(A,G)30	FF1ENE030		23000	11.20	13.00	1
3039566	24ABS324(A,G)30	FK4DN(B,F)003		23200	12.00	14.00	1
3039564	24ABS324(A,G)30	FK4DNF001		23000	12.00	14.00	1
3039565	24ABS324(A,G)30	FK4DNF002		22800	12.00	14.00	1
3163439	24ABS324(A,G)31	†CAR**2414A**+TDR		23000	11.20	13.00	1
3163440	24ABS324(A,G)31	CAR**2414A**	58CV(A,X)070-12	23000	12.00	14.00	1
3163441	24ABS324(A,G)31	CAR**2414A**	58PH*045-08	23000	12.00	14.00	1
3163444	24ABS324(A,G)31	CAR**2417A**	58CV(A,X)090-16	23000	12.50	14.50	1
3163445	24ABS324(A,G)31	CAR**2417A**	58MEB040-12	23000	12.50	14.50	1
3163446	24ABS324(A,G)31	CAR**2417A**	58MEB060-12	23000	12.50	14.50	1
3163447	24ABS324(A,G)31	CAR**2417A**	58MEB080-12	23000	12.50	14.50	1
3163443	24ABS324(A,G)31	CAR**2417A**	58MV(B,C)060-14	23000	12.50	14.50	1
3163442	24ABS324(A,G)31	CAR**2417A**+TDR		23000	11.20	13.00	1
3163449	24ABS324(A,G)31	CAR**3014A**	58CV(A,X)070-12	23000	12.50	14.50	1
3163450	24ABS324(A,G)31	CAR**3014A**	58PH*045-08	23000	12.00	14.25	1
3163448	24ABS324(A,G)31	CAR**3014A**+TDR		23000	11.20	13.00	1
3163453	24ABS324(A,G)31	CAR**3017A**	58CV(A,X)090-16	23000	12.50	14.50	1

24ABS3

See notes on pg. 32

COMBINATION RATINGS CONTINUED

24ABS3

ARI Ref. No.	Model Number	Indoor Model	Furnace Model	Capacity	EER	SEER	Phase
3163454	24ABS324(A,G)31	CAR**3017A**	58MEB040-12	23000	12.50	14.50	1
3163455	24ABS324(A,G)31	CAR**3017A**	58MEB060-12	23000	12.50	14.50	1
3163456	24ABS324(A,G)31	CAR**3017A**	58MEB080-12	23000	12.50	14.50	1
3163452	24ABS324(A,G)31	CAR**3017A**	58MV(B,C)060-14	23000	12.50	14.50	1
3163451	24ABS324(A,G)31	CAR**3017A**+TDR		23000	11.20	13.00	1
3163507	24ABS324(A,G)31	CNRH*2418A**+TDR		23000	11.20	13.00	1
3163482	24ABS324(A,G)31	CNRH*2417A**	58CV(A,X)070-12	23000	12.00	14.00	1
3163483	24ABS324(A,G)31	CNRH*2417A**	58CV(A,X)090-16	23000	12.20	14.50	1
3163484	24ABS324(A,G)31	CNRH*2417A**	58CV(A,X)110-20	23000	12.00	14.00	1
3163485	24ABS324(A,G)31	CNRH*2417A**	58CV(A,X)135-22	23000	12.00	14.00	1
3163486	24ABS324(A,G)31	CNRH*2417A**	58CV(A,X)155-22	23000	12.20	14.50	1
3163488	24ABS324(A,G)31	CNRH*2417A**	58MEB040-12	23000	12.50	14.50	1
3163489	24ABS324(A,G)31	CNRH*2417A**	58MEB060-12	23000	12.50	14.50	1
3163490	24ABS324(A,G)31	CNRH*2417A**	58MEB080-12	23000	12.50	14.50	1
3163477	24ABS324(A,G)31	CNRH*2417A**	58MV(B,C)060-14	23000	12.00	14.00	1
3163478	24ABS324(A,G)31	CNRH*2417A**	58MV(B,C)080-14	23000	12.00	14.00	1
3163479	24ABS324(A,G)31	CNRH*2417A**	58MV(B,C)080-20	22800	12.00	14.00	1
3163480	24ABS324(A,G)31	CNRH*2417A**	58MV(B,C)100-20	23000	12.20	14.50	1
3163481	24ABS324(A,G)31	CNRH*2417A**	58MV(B,C)120-20	23000	12.20	14.50	1
3163476	24ABS324(A,G)31	CNRH*2417A**	58MVB040-14	23000	12.00	14.00	1
3163487	24ABS324(A,G)31	CNRH*2417A**	58PH*045-08	23000	12.00	14.00	1
3163475	24ABS324(A,G)31	CNRH*2417A**+TDR		23000	11.20	13.00	1
3163498	24ABS324(A,G)31	CNRH*3017A**	58CV(A,X)070-12	23000	12.50	14.50	1
3163499	24ABS324(A,G)31	CNRH*3017A**	58CV(A,X)090-16	23000	12.50	14.50	1
3163500	24ABS324(A,G)31	CNRH*3017A**	58CV(A,X)110-20	23000	12.50	14.50	1
3163501	24ABS324(A,G)31	CNRH*3017A**	58CV(A,X)135-22	23000	12.50	14.50	1
3163502	24ABS324(A,G)31	CNRH*3017A**	58CV(A,X)155-22	23000	12.50	14.50	1
3163504	24ABS324(A,G)31	CNRH*3017A**	58MEB040-12	23000	12.50	14.50	1
3163505	24ABS324(A,G)31	CNRH*3017A**	58MEB060-12	23000	12.50	14.50	1
3163506	24ABS324(A,G)31	CNRH*3017A**	58MEB080-12	23000	12.50	14.50	1
3163493	24ABS324(A,G)31	CNRH*3017A**	58MV(B,C)060-14	23000	12.50	14.50	1
3163494	24ABS324(A,G)31	CNRH*3017A**	58MV(B,C)080-14	23000	12.50	14.50	1
3163495	24ABS324(A,G)31	CNRH*3017A**	58MV(B,C)080-20	23000	12.50	14.50	1
3163496	24ABS324(A,G)31	CNRH*3017A**	58MV(B,C)100-20	23000	12.50	14.50	1
3163497	24ABS324(A,G)31	CNRH*3017A**	58MV(B,C)120-20	23000	12.50	14.50	1
3163492	24ABS324(A,G)31	CNRH*3017A**	58MVB040-14	23000	12.50	14.50	1
3163503	24ABS324(A,G)31	CNRH*3017A**	58PH*045-08	23000	12.00	14.25	1
3163491	24ABS324(A,G)31	CNRH*3017A**+TDR		23000	11.20	13.00	1
3163458	24ABS324(A,G)31	CNRV*2414A**	58CV(A,X)070-12	23000	12.00	14.00	1
3163459	24ABS324(A,G)31	CNRV*2414A**	58PH*045-08	23000	12.00	14.00	1
3163457	24ABS324(A,G)31	CNRV*2414A**+TDR		23000	11.20	13.00	1
3163462	24ABS324(A,G)31	CNRV*2417A**	58CV(A,X)090-16	23000	12.20	14.50	1
3163463	24ABS324(A,G)31	CNRV*2417A**	58MEB040-12	23000	12.50	14.50	1
3163464	24ABS324(A,G)31	CNRV*2417A**	58MEB060-12	23000	12.50	14.50	1
3163465	24ABS324(A,G)31	CNRV*2417A**	58MEB080-12	23000	12.50	14.50	1
3163461	24ABS324(A,G)31	CNRV*2417A**	58MV(B,C)060-14	23000	12.00	14.00	1
3163460	24ABS324(A,G)31	CNRV*2417A**+TDR		23000	11.20	13.00	1
3163467	24ABS324(A,G)31	CNRV*3014A**	58CV(A,X)070-12	23000	12.20	14.50	1
3163468	24ABS324(A,G)31	CNRV*3014A**	58PH*045-08	23000	12.00	14.25	1
3163466	24ABS324(A,G)31	CNRV*3014A**+TDR		23000	11.20	13.00	1
3163471	24ABS324(A,G)31	CNRV*3017A**	58CV(A,X)090-16	23000	12.50	14.50	1
3163472	24ABS324(A,G)31	CNRV*3017A**	58MEB040-12	23000	12.50	14.50	1
3163473	24ABS324(A,G)31	CNRV*3017A**	58MEB060-12	23000	12.50	14.50	1
3163474	24ABS324(A,G)31	CNRV*3017A**	58MEB080-12	23000	12.50	14.50	1
3163470	24ABS324(A,G)31	CNRV*3017A**	58MV(B,C)060-14	23000	12.50	14.50	1
3163469	24ABS324(A,G)31	CNRV*3017A**+TDR		23000	11.20	13.00	1
3163515	24ABS324(A,G)31	CSRH*2412A**	58CV(A,X)070-12	23000	12.00	14.00	1
3163516	24ABS324(A,G)31	CSRH*2412A**	58CV(A,X)090-16	23000	12.50	14.50	1
3163517	24ABS324(A,G)31	CSRH*2412A**	58CV(A,X)110-20	23000	12.00	14.00	1
3163518	24ABS324(A,G)31	CSRH*2412A**	58CV(A,X)135-22	23000	12.50	14.50	1
3163519	24ABS324(A,G)31	CSRH*2412A**	58CV(A,X)155-22	23000	12.50	14.50	1
3163521	24ABS324(A,G)31	CSRH*2412A**	58MEB040-12	23000	12.50	14.50	1
3163522	24ABS324(A,G)31	CSRH*2412A**	58MEB060-12	23000	12.50	14.50	1
3163523	24ABS324(A,G)31	CSRH*2412A**	58MEB080-12	23000	12.50	14.50	1
3163510	24ABS324(A,G)31	CSRH*2412A**	58MV(B,C)060-14	23000	12.50	14.50	1
3163511	24ABS324(A,G)31	CSRH*2412A**	58MV(B,C)080-14	23000	12.50	14.50	1
3163512	24ABS324(A,G)31	CSRH*2412A**	58MV(B,C)080-20	23000	12.50	14.50	1
3163513	24ABS324(A,G)31	CSRH*2412A**	58MV(B,C)100-20	23000	12.50	14.50	1
3163514	24ABS324(A,G)31	CSRH*2412A**	58MV(B,C)120-20	23000	12.50	14.50	1
3163509	24ABS324(A,G)31	CSRH*2412A**	58MVB040-14	23000	12.00	14.00	1
3163520	24ABS324(A,G)31	CSRH*2412A**	58PH*045-08	23000	12.00	14.00	1
3163508	24ABS324(A,G)31	CSRH*2412A**+TDR		23000	11.20	13.00	1
3163531	24ABS324(A,G)31	CSRH*3012A**	58CV(A,X)070-12	23000	12.50	14.50	1

See notes on pg. 32

COMBINATION RATINGS CONTINUED

ARI Ref. No.	Model Number	Indoor Model	Furnace Model	Capacity	EER	SEER	Phase
3163532	24ABS324(A,G)31	CSRH*3012A**	58CV(A,X)090-16	23000	12.50	14.50	1
3163533	24ABS324(A,G)31	CSRH*3012A**	58CV(A,X)110-20	23000	12.50	14.50	1
3163534	24ABS324(A,G)31	CSRH*3012A**	58CV(A,X)135-22	23000	12.50	14.50	1
3163535	24ABS324(A,G)31	CSRH*3012A**	58CV(A,X)155-22	23000	12.50	14.50	1
3163537	24ABS324(A,G)31	CSRH*3012A**	58MEB040-12	23000	12.50	14.50	1
3163538	24ABS324(A,G)31	CSRH*3012A**	58MEB060-12	23000	12.50	14.50	1
3163539	24ABS324(A,G)31	CSRH*3012A**	58MEB080-12	23000	12.50	14.50	1
3163526	24ABS324(A,G)31	CSRH*3012A**	58MV(B,C)060-14	23000	12.50	14.50	1
3163527	24ABS324(A,G)31	CSRH*3012A**	58MV(B,C)080-14	23000	12.50	14.50	1
3163528	24ABS324(A,G)31	CSRH*3012A**	58MV(B,C)080-20	23000	12.50	14.50	1
3163529	24ABS324(A,G)31	CSRH*3012A**	58MV(B,C)100-20	23000	12.50	14.50	1
3163530	24ABS324(A,G)31	CSRH*3012A**	58MV(B,C)120-20	23000	12.50	14.50	1
3163525	24ABS324(A,G)31	CSRH*3012A**	58MVB040-14	23000	12.50	14.50	1
3163536	24ABS324(A,G)31	CSRH*3012A**	58PH*045-08	23000	12.00	14.25	1
3163524	24ABS324(A,G)31	CSRH*3012A**+TDR		23000	11.20	13.00	1
3163540	24ABS324(A,G)31	FA4CN(F,C)024		23000	11.20	13.00	1
3163541	24ABS324(A,G)31	FA4CN(F,C)030		23000	11.20	13.00	1
3163542	24ABS324(A,G)31	FC4DNF024		23000	12.00	14.00	1
3163543	24ABS324(A,G)31	FC4DNF030		23000	12.50	14.50	1
3163544	24ABS324(A,G)31	FF1ENE024		22800	11.20	13.20	1
3163547	24ABS324(A,G)31	FK4DN(B,F)003		23000	12.50	14.50	1
3163545	24ABS324(A,G)31	FK4DNF001		23000	12.50	14.50	1
3163546	24ABS324(A,G)31	FK4DNF002		22800	12.00	14.00	1
3039567	24ABS330(A,G)30	†CAR**3014A**+TDR		27600	11.20	13.00	1
3039568	24ABS330(A,G)30	CAP**3017A**	58PH*070-16	28600	12.00	14.00	1
3039569	24ABS330(A,G)30	CAP**3617A**	58PH*070-16	28600	12.00	14.00	1
3039570	24ABS330(A,G)30	CAP**3621A**	58PH*090-16	29000	12.20	14.50	1
3039582	24ABS330(A,G)30	CAR**3014A**	58CV(A,X)070-12	27200	12.00	14.00	1
3039584	24ABS330(A,G)30	CAR**3017A**	58CV(A,X)090-16	27400	12.00	14.00	1
3113308	24ABS330(A,G)30	CAR**3017A**	58MEB040-12	28600	12.00	14.00	1
3113309	24ABS330(A,G)30	CAR**3017A**	58MEB060-12	28600	12.00	14.00	1
3113310	24ABS330(A,G)30	CAR**3017A**	58MEB080-12	28600	12.00	14.00	1
3113311	24ABS330(A,G)30	CAR**3017A**	58MEB080-16	28600	12.00	14.00	1
3039583	24ABS330(A,G)30	CAR**3017A**	58MV(B,C)060-14	27400	12.00	14.00	1
3089278	24ABS330(A,G)30	CAR**3017A**+TDR		27600	11.20	13.00	1
3039585	24ABS330(A,G)30	CAR**3614A**	58CV(A,X)070-12	27400	12.00	14.00	1
3089279	24ABS330(A,G)30	CAR**3614A**+TDR		27600	11.20	13.00	1
3039587	24ABS330(A,G)30	CAR**3617A**	58CV(A,X)090-16	27400	12.00	14.00	1
3113312	24ABS330(A,G)30	CAR**3617A**	58MEB040-12	28600	12.00	14.50	1
3113313	24ABS330(A,G)30	CAR**3617A**	58MEB060-12	28600	12.00	14.50	1
3113314	24ABS330(A,G)30	CAR**3617A**	58MEB080-12	28600	12.00	14.50	1
3113315	24ABS330(A,G)30	CAR**3617A**	58MEB080-16	28600	12.00	14.50	1
3039586	24ABS330(A,G)30	CAR**3617A**	58MV(B,C)060-14	27600	12.00	14.00	1
3089280	24ABS330(A,G)30	CAR**3617A**+TDR		27600	11.20	13.00	1
3039591	24ABS330(A,G)30	CAR**3621A**	58CV(A,X)110-20	27600	12.00	14.00	1
3039588	24ABS330(A,G)30	CAR**3621A**	58MV(B,C)080-14	28200	12.00	14.00	1
3039589	24ABS330(A,G)30	CAR**3621A**	58MV(B,C)080-20	28200	12.00	14.00	1
3039590	24ABS330(A,G)30	CAR**3621A**	58MV(B,C)100-20	28200	12.00	14.00	1
3089281	24ABS330(A,G)30	CAR**3621A**+TDR		27600	11.20	13.00	1
3039574	24ABS330(A,G)30	CNPH*3017A**	58PH*070-16	28600	12.00	14.00	1
3039575	24ABS330(A,G)30	CNPH*3017A**	58PH*090-16	28600	12.00	14.00	1
3039576	24ABS330(A,G)30	CNPH*3617A**	58PH*070-16	28600	12.00	14.00	1
3039577	24ABS330(A,G)30	CNPH*3617A**	58PH*090-16	28600	12.00	14.50	1
3039571	24ABS330(A,G)30	CNPV*3017A**	58PH*070-16	28600	12.00	14.00	1
3039572	24ABS330(A,G)30	CNPV*3617A**	58PH*070-16	28600	12.00	14.00	1
3039573	24ABS330(A,G)30	CNPV*3621A**	58PH*090-16	28600	12.00	14.50	1
3039625	24ABS330(A,G)30	CNRF*3618A**+TDR		27600	11.20	13.00	1
3039608	24ABS330(A,G)30	CNRH*3017A**	58CV(A,X)070-12	27400	12.00	14.00	1
3039609	24ABS330(A,G)30	CNRH*3017A**	58CV(A,X)090-16	27400	12.00	14.00	1
3039610	24ABS330(A,G)30	CNRH*3017A**	58CV(A,X)110-20	27400	12.00	14.00	1
3039611	24ABS330(A,G)30	CNRH*3017A**	58CV(A,X)135-22	27400	12.00	14.00	1
3039612	24ABS330(A,G)30	CNRH*3017A**	58CV(A,X)155-22	27400	12.00	14.00	1
3113324	24ABS330(A,G)30	CNRH*3017A**	58MEB040-12	28600	12.00	14.50	1
3113325	24ABS330(A,G)30	CNRH*3017A**	58MEB060-12	28600	12.00	14.50	1
3113326	24ABS330(A,G)30	CNRH*3017A**	58MEB080-12	28600	12.00	14.50	1
3113327	24ABS330(A,G)30	CNRH*3017A**	58MEB080-16	28600	12.00	14.00	1
3039602	24ABS330(A,G)30	CNRH*3017A**	58MV(B,C)040-14	27400	12.00	14.00	1
3039603	24ABS330(A,G)30	CNRH*3017A**	58MV(B,C)060-14	27600	12.00	14.00	1
3039604	24ABS330(A,G)30	CNRH*3017A**	58MV(B,C)080-14	27200	12.00	14.00	1
3039605	24ABS330(A,G)30	CNRH*3017A**	58MV(B,C)080-20	27400	12.00	14.00	1
3039606	24ABS330(A,G)30	CNRH*3017A**	58MV(B,C)100-20	27200	12.00	14.00	1
3039607	24ABS330(A,G)30	CNRH*3017A**	58MV(B,C)120-20	27400	12.00	14.00	1

24ABS3

See notes on pg. 32

COMBINATION RATINGS CONTINUED

24ABS3

ARI Ref. No.	Model Number	Indoor Model	Furnace Model	Capacity	EER	SEER	Phase
3039601	24ABS330(A,G)30	CNRH*3017A**+TDR		27600	11.20	13.00	1
3039620	24ABS330(A,G)30	CNRH*3617A**	58CV(A,X)070-12	27400	12.00	14.00	1
3039621	24ABS330(A,G)30	CNRH*3617A**	58CV(A,X)090-16	27400	12.00	14.00	1
3039622	24ABS330(A,G)30	CNRH*3617A**	58CV(A,X)110-20	27400	12.00	14.00	1
3039623	24ABS330(A,G)30	CNRH*3617A**	58CV(A,X)135-22	27400	12.00	14.00	1
3039624	24ABS330(A,G)30	CNRH*3617A**	58CV(A,X)155-22	27400	12.00	14.00	1
3113328	24ABS330(A,G)30	CNRH*3617A**	58MEB040-12	28600	12.00	14.50	1
3113329	24ABS330(A,G)30	CNRH*3617A**	58MEB060-12	28600	12.00	14.50	1
3113330	24ABS330(A,G)30	CNRH*3617A**	58MEB080-12	28600	12.00	14.50	1
3113331	24ABS330(A,G)30	CNRH*3617A**	58MEB080-16	28600	12.00	14.00	1
3039614	24ABS330(A,G)30	CNRH*3617A**	58MV(B,C)040-14	27400	12.00	14.00	1
3039615	24ABS330(A,G)30	CNRH*3617A**	58MV(B,C)060-14	27600	12.00	14.00	1
3039616	24ABS330(A,G)30	CNRH*3617A**	58MV(B,C)080-14	27200	12.00	14.00	1
3039617	24ABS330(A,G)30	CNRH*3617A**	58MV(B,C)080-20	27400	12.00	14.00	1
3039618	24ABS330(A,G)30	CNRH*3617A**	58MV(B,C)100-20	27200	12.00	14.00	1
3039619	24ABS330(A,G)30	CNRH*3617A**	58MV(B,C)120-20	27400	12.00	14.00	1
3039613	24ABS330(A,G)30	CNRH*3617A**+TDR		27600	11.20	13.00	1
3039592	24ABS330(A,G)30	CNRV*3014A**	58CV(A,X)070-12	27200	12.00	14.00	1
3089282	24ABS330(A,G)30	CNRV*3014A**+TDR		27600	11.20	13.00	1
3039594	24ABS330(A,G)30	CNRV*3017A**	58CV(A,X)090-16	27400	12.00	14.00	1
3113316	24ABS330(A,G)30	CNRV*3017A**	58MEB040-12	28600	12.00	14.50	1
3113317	24ABS330(A,G)30	CNRV*3017A**	58MEB060-12	28600	12.00	14.50	1
3113318	24ABS330(A,G)30	CNRV*3017A**	58MEB080-12	28600	12.00	14.50	1
3113319	24ABS330(A,G)30	CNRV*3017A**	58MEB080-16	28600	12.00	14.50	1
3039593	24ABS330(A,G)30	CNRV*3017A**	58MV(B,C)060-14	27600	12.00	14.00	1
3089283	24ABS330(A,G)30	CNRV*3017A**+TDR		27600	11.20	13.00	1
3039596	24ABS330(A,G)30	CNRV*3617A**	58CV(A,X)090-16	27400	12.00	14.00	1
3113320	24ABS330(A,G)30	CNRV*3617A**	58MEB040-12	28600	12.00	14.50	1
3113321	24ABS330(A,G)30	CNRV*3617A**	58MEB060-12	28600	12.00	14.50	1
3113322	24ABS330(A,G)30	CNRV*3617A**	58MEB080-12	28600	12.00	14.50	1
3113323	24ABS330(A,G)30	CNRV*3617A**	58MEB080-16	28600	12.00	14.00	1
3039595	24ABS330(A,G)30	CNRV*3617A**	58MV(B,C)060-14	27600	12.00	14.00	1
3089284	24ABS330(A,G)30	CNRV*3617A**+TDR		27600	11.20	13.00	1
3039600	24ABS330(A,G)30	CNRV*3621A**	58CV(A,X)110-20	27400	12.00	14.00	1
3039597	24ABS330(A,G)30	CNRV*3621A**	58MV(B,C)080-14	27200	12.00	14.00	1
3039598	24ABS330(A,G)30	CNRV*3621A**	58MV(B,C)080-20	27400	12.00	14.00	1
3039599	24ABS330(A,G)30	CNRV*3621A**	58MV(B,C)100-20	27200	12.00	14.00	1
3089285	24ABS330(A,G)30	CNRV*3621A**+TDR		27600	11.20	13.00	1
3039578	24ABS330(A,G)30	CSPH*3012A**	58PH*070-16	28600	12.00	14.00	1
3039579	24ABS330(A,G)30	CSPH*3012A**	58PH*090-16	28600	12.00	14.00	1
3039580	24ABS330(A,G)30	CSPH*3612A**	58PH*070-16	28600	12.00	14.00	1
3039581	24ABS330(A,G)30	CSPH*3612A**	58PH*090-16	29000	12.20	14.50	1
3039633	24ABS330(A,G)30	CSRH*3012A**	58CV(A,X)070-12	27400	12.00	14.00	1
3039634	24ABS330(A,G)30	CSRH*3012A**	58CV(A,X)090-16	27400	12.00	14.00	1
3039635	24ABS330(A,G)30	CSRH*3012A**	58CV(A,X)110-20	27400	12.00	14.00	1
3039636	24ABS330(A,G)30	CSRH*3012A**	58CV(A,X)135-22	27400	12.00	14.00	1
3039637	24ABS330(A,G)30	CSRH*3012A**	58CV(A,X)155-22	27400	12.00	14.00	1
3113332	24ABS330(A,G)30	CSRH*3012A**	58MEB040-12	28600	12.00	14.50	1
3113333	24ABS330(A,G)30	CSRH*3012A**	58MEB060-12	28600	12.00	14.50	1
3113334	24ABS330(A,G)30	CSRH*3012A**	58MEB080-12	28600	12.00	14.50	1
3113335	24ABS330(A,G)30	CSRH*3012A**	58MEB080-16	28600	12.00	14.00	1
3039627	24ABS330(A,G)30	CSRH*3012A**	58MV(B,C)040-14	27400	12.00	14.00	1
3039628	24ABS330(A,G)30	CSRH*3012A**	58MV(B,C)060-14	27600	12.00	14.00	1
3039629	24ABS330(A,G)30	CSRH*3012A**	58MV(B,C)080-14	27400	12.00	14.00	1
3039630	24ABS330(A,G)30	CSRH*3012A**	58MV(B,C)080-20	27600	12.00	14.00	1
3039631	24ABS330(A,G)30	CSRH*3012A**	58MV(B,C)100-20	27400	12.00	14.00	1
3039632	24ABS330(A,G)30	CSRH*3012A**	58MV(B,C)120-20	27600	12.00	14.00	1
3039626	24ABS330(A,G)30	CSRH*3012A**+TDR		27600	11.20	13.00	1
3039645	24ABS330(A,G)30	CSRH*3612A**	58CV(A,X)070-12	27400	12.00	14.00	1
3039646	24ABS330(A,G)30	CSRH*3612A**	58CV(A,X)090-16	27400	12.00	14.00	1
3039647	24ABS330(A,G)30	CSRH*3612A**	58CV(A,X)110-20	27400	12.00	14.00	1
3039648	24ABS330(A,G)30	CSRH*3612A**	58CV(A,X)135-22	27400	12.00	14.00	1
3039649	24ABS330(A,G)30	CSRH*3612A**	58CV(A,X)155-22	27400	12.00	14.00	1
3113336	24ABS330(A,G)30	CSRH*3612A**	58MEB040-12	28600	12.00	14.50	1
3113337	24ABS330(A,G)30	CSRH*3612A**	58MEB060-12	28600	12.00	14.50	1
3113338	24ABS330(A,G)30	CSRH*3612A**	58MEB080-12	28600	12.00	14.50	1
3113339	24ABS330(A,G)30	CSRH*3612A**	58MEB080-16	28600	12.00	14.50	1
3039639	24ABS330(A,G)30	CSRH*3612A**	58MV(B,C)040-14	27400	12.00	14.00	1
3039640	24ABS330(A,G)30	CSRH*3612A**	58MV(B,C)060-14	27400	12.00	14.00	1
3039641	24ABS330(A,G)30	CSRH*3612A**	58MV(B,C)080-14	27400	12.00	14.00	1
3039642	24ABS330(A,G)30	CSRH*3612A**	58MV(B,C)080-20	27400	12.00	14.00	1
3039643	24ABS330(A,G)30	CSRH*3612A**	58MV(B,C)100-20	27400	12.00	14.00	1
3039644	24ABS330(A,G)30	CSRH*3612A**	58MV(B,C)120-20	27400	12.00	14.00	1

See notes on pg. 32

COMBINATION RATINGS CONTINUED

ARI Ref. No.	Model Number	Indoor Model	Furnace Model	Capacity	EER	SEER	Phase
3039638	24ABS330(A,G)30	CSRH*3612A**+TDR		27400	11.20	13.00	1
3039650	24ABS330(A,G)30	FA4CN(F,C)030		27400	11.20	13.00	1
3039651	24ABS330(A,G)30	FA4CN(F,C)036		27600	11.20	13.00	1
3039653	24ABS330(A,G)30	FC4DN(F,B)036		28200	12.00	14.00	1
3039652	24ABS330(A,G)30	FC4DNF030		27800	12.00	14.00	1
3039654	24ABS330(A,G)30	FF1ENE030		27200	11.20	13.00	1
3039655	24ABS330(A,G)30	FF1ENE036		27600	11.20	13.00	1
3039658	24ABS330(A,G)30	FK4DN(B,F)003		27800	12.00	14.00	1
3039659	24ABS330(A,G)30	FK4DN(B,F)005		28600	12.00	14.00	1
3039656	24ABS330(A,G)30	FK4DNF001		27400	12.00	14.00	1
3039657	24ABS330(A,G)30	FK4DNF002		27800	12.00	14.00	1
3040899	24ABS330(A,G)50	†CAR**3014A**+TDR		27600	11.20	13.00	3
3040900	24ABS330(A,G)50	CAP**3017A**	58PH*070-16	28600	12.00	14.00	3
3040901	24ABS330(A,G)50	CAP**3617A**	58PH*070-16	28600	12.00	14.00	3
3040902	24ABS330(A,G)50	CAP**3621A**	58PH*090-16	29000	12.20	14.50	3
3040914	24ABS330(A,G)50	CAR**3014A**	58CV(A,X)070-12	27200	12.00	14.00	3
3040916	24ABS330(A,G)50	CAR**3017A**	58CV(A,X)090-16	27400	12.00	14.00	3
3124547	24ABS330(A,G)50	CAR**3017A**	58MEB040-12	28600	12.00	14.00	3
3124548	24ABS330(A,G)50	CAR**3017A**	58MEB060-12	28600	12.00	14.00	3
3124549	24ABS330(A,G)50	CAR**3017A**	58MEB080-12	28600	12.00	14.00	3
3124550	24ABS330(A,G)50	CAR**3017A**	58MEB080-16	28600	12.00	14.00	3
3040915	24ABS330(A,G)50	CAR**3017A**	58MV(B,C)060-14	27400	12.00	14.00	3
3040917	24ABS330(A,G)50	CAR**3614A**	58CV(A,X)070-12	27400	12.00	14.00	3
3040919	24ABS330(A,G)50	CAR**3617A**	58CV(A,X)090-16	27400	12.00	14.00	3
3124551	24ABS330(A,G)50	CAR**3617A**	58MEB040-12	28600	12.00	14.50	3
3124552	24ABS330(A,G)50	CAR**3617A**	58MEB060-12	28600	12.00	14.50	3
3124553	24ABS330(A,G)50	CAR**3617A**	58MEB080-12	28600	12.00	14.50	3
3124554	24ABS330(A,G)50	CAR**3617A**	58MEB080-16	28600	12.00	14.50	3
3040918	24ABS330(A,G)50	CAR**3617A**	58MV(B,C)060-14	27600	12.00	14.00	3
3040923	24ABS330(A,G)50	CAR**3621A**	58CV(A,X)110-20	27600	12.00	14.00	3
3040920	24ABS330(A,G)50	CAR**3621A**	58MV(B,C)080-14	28200	12.00	14.00	3
3040921	24ABS330(A,G)50	CAR**3621A**	58MV(B,C)080-20	28200	12.00	14.00	3
3040922	24ABS330(A,G)50	CAR**3621A**	58MV(B,C)100-20	28200	12.00	14.00	3
3040906	24ABS330(A,G)50	CNPH*3017A**	58PH*070-16	28600	12.00	14.00	3
3040907	24ABS330(A,G)50	CNPH*3017A**	58PH*090-16	28600	12.00	14.00	3
3040908	24ABS330(A,G)50	CNPH*3617A**	58PH*070-16	28600	12.00	14.00	3
3040909	24ABS330(A,G)50	CNPH*3617A**	58PH*090-16	28600	12.00	14.50	3
3040903	24ABS330(A,G)50	CNPV*3017A**	58PH*070-16	28600	12.00	14.00	3
3040904	24ABS330(A,G)50	CNPV*3617A**	58PH*070-16	28600	12.00	14.00	3
3040905	24ABS330(A,G)50	CNPV*3621A**	58PH*090-16	28600	12.00	14.50	3
3040957	24ABS330(A,G)50	CNRF*3618A**+TDR		27600	11.20	13.00	3
3040940	24ABS330(A,G)50	CNRH*3017A**	58CV(A,X)070-12	27400	12.00	14.00	3
3040941	24ABS330(A,G)50	CNRH*3017A**	58CV(A,X)090-16	27400	12.00	14.00	3
3040942	24ABS330(A,G)50	CNRH*3017A**	58CV(A,X)110-20	27400	12.00	14.00	3
3040943	24ABS330(A,G)50	CNRH*3017A**	58CV(A,X)135-22	27400	12.00	14.00	3
3040944	24ABS330(A,G)50	CNRH*3017A**	58CV(A,X)155-22	27400	12.00	14.00	3
3124563	24ABS330(A,G)50	CNRH*3017A**	58MEB040-12	28600	12.00	14.50	3
3124564	24ABS330(A,G)50	CNRH*3017A**	58MEB060-12	28600	12.00	14.50	3
3124565	24ABS330(A,G)50	CNRH*3017A**	58MEB080-12	28600	12.00	14.50	3
3124566	24ABS330(A,G)50	CNRH*3017A**	58MEB080-16	28600	12.00	14.00	3
3040934	24ABS330(A,G)50	CNRH*3017A**	58MV(B,C)040-14	27400	12.00	14.00	3
3040935	24ABS330(A,G)50	CNRH*3017A**	58MV(B,C)060-14	27600	12.00	14.00	3
3040936	24ABS330(A,G)50	CNRH*3017A**	58MV(B,C)080-14	27200	12.00	14.00	3
3040937	24ABS330(A,G)50	CNRH*3017A**	58MV(B,C)080-20	27400	12.00	14.00	3
3040938	24ABS330(A,G)50	CNRH*3017A**	58MV(B,C)100-20	27200	12.00	14.00	3
3040939	24ABS330(A,G)50	CNRH*3017A**	58MV(B,C)120-20	27400	12.00	14.00	3
3040933	24ABS330(A,G)50	CNRH*3017A**+TDR		27600	11.20	13.00	3
3040952	24ABS330(A,G)50	CNRH*3617A**	58CV(A,X)070-12	27400	12.00	14.00	3
3040953	24ABS330(A,G)50	CNRH*3617A**	58CV(A,X)090-16	27400	12.00	14.00	3
3040954	24ABS330(A,G)50	CNRH*3617A**	58CV(A,X)110-20	27400	12.00	14.00	3
3040955	24ABS330(A,G)50	CNRH*3617A**	58CV(A,X)135-22	27400	12.00	14.00	3
3040956	24ABS330(A,G)50	CNRH*3617A**	58CV(A,X)155-22	27400	12.00	14.00	3
3124567	24ABS330(A,G)50	CNRH*3617A**	58MEB040-12	28600	12.00	14.50	3
3124568	24ABS330(A,G)50	CNRH*3617A**	58MEB060-12	28600	12.00	14.50	3
3124569	24ABS330(A,G)50	CNRH*3617A**	58MEB080-12	28600	12.00	14.50	3
3124570	24ABS330(A,G)50	CNRH*3617A**	58MEB080-16	28600	12.00	14.00	3
3040946	24ABS330(A,G)50	CNRH*3617A**	58MV(B,C)040-14	27400	12.00	14.00	3
3040947	24ABS330(A,G)50	CNRH*3617A**	58MV(B,C)060-14	27600	12.00	14.00	3
3040948	24ABS330(A,G)50	CNRH*3617A**	58MV(B,C)080-14	27200	12.00	14.00	3
3040949	24ABS330(A,G)50	CNRH*3617A**	58MV(B,C)080-20	27400	12.00	14.00	3
3040950	24ABS330(A,G)50	CNRH*3617A**	58MV(B,C)100-20	27200	12.00	14.00	3
3040951	24ABS330(A,G)50	CNRH*3617A**	58MV(B,C)120-20	27400	12.00	14.00	3

24ABS3

See notes on pg. 32

COMBINATION RATINGS CONTINUED

24ABS3

ARI Ref. No.	Model Number	Indoor Model	Furnace Model	Capacity	EER	SEER	Phase
3040945	24ABS330(A,G)50	CNRH*3617A**+TDR		27600	11.20	13.00	3
3040924	24ABS330(A,G)50	CNRV*3014A**	58CV(A,X)070-12	27200	12.00	14.00	3
3040926	24ABS330(A,G)50	CNRV*3017A**	58CV(A,X)090-16	27400	12.00	14.00	3
3124555	24ABS330(A,G)50	CNRV*3017A**	58MEB040-12	28600	12.00	14.50	3
3124556	24ABS330(A,G)50	CNRV*3017A**	58MEB060-12	28600	12.00	14.50	3
3124557	24ABS330(A,G)50	CNRV*3017A**	58MEB080-12	28600	12.00	14.50	3
3124558	24ABS330(A,G)50	CNRV*3017A**	58MEB080-16	28600	12.00	14.50	3
3040925	24ABS330(A,G)50	CNRV*3017A**	58MV(B,C)060-14	27600	12.00	14.00	3
3040928	24ABS330(A,G)50	CNRV*3617A**	58CV(A,X)090-16	27400	12.00	14.00	3
3124559	24ABS330(A,G)50	CNRV*3617A**	58MEB040-12	28600	12.00	14.50	3
3124560	24ABS330(A,G)50	CNRV*3617A**	58MEB060-12	28600	12.00	14.50	3
3124561	24ABS330(A,G)50	CNRV*3617A**	58MEB080-12	28600	12.00	14.50	3
3124562	24ABS330(A,G)50	CNRV*3617A**	58MEB080-16	28600	12.00	14.00	3
3040927	24ABS330(A,G)50	CNRV*3617A**	58MV(B,C)060-14	27600	12.00	14.00	3
3040932	24ABS330(A,G)50	CNRV*3621A**	58CV(A,X)110-20	27400	12.00	14.00	3
3040929	24ABS330(A,G)50	CNRV*3621A**	58MV(B,C)080-14	27200	12.00	14.00	3
3040930	24ABS330(A,G)50	CNRV*3621A**	58MV(B,C)080-20	27400	12.00	14.00	3
3040931	24ABS330(A,G)50	CNRV*3621A**	58MV(B,C)100-20	27200	12.00	14.00	3
3040910	24ABS330(A,G)50	CSPH*3012A**	58PH*070-16	28600	12.00	14.00	3
3040911	24ABS330(A,G)50	CSPH*3012A**	58PH*090-16	28600	12.00	14.00	3
3040912	24ABS330(A,G)50	CSPH*3612A**	58PH*070-16	28600	12.00	14.00	3
3040913	24ABS330(A,G)50	CSPH*3612A**	58PH*090-16	29000	12.20	14.50	3
3040965	24ABS330(A,G)50	CSRH*3012A**	58CV(A,X)070-12	27400	12.00	14.00	3
3040966	24ABS330(A,G)50	CSRH*3012A**	58CV(A,X)090-16	27400	12.00	14.00	3
3040967	24ABS330(A,G)50	CSRH*3012A**	58CV(A,X)110-20	27400	12.00	14.00	3
3040968	24ABS330(A,G)50	CSRH*3012A**	58CV(A,X)135-22	27400	12.00	14.00	3
3040969	24ABS330(A,G)50	CSRH*3012A**	58CV(A,X)155-22	27400	12.00	14.00	3
3124571	24ABS330(A,G)50	CSRH*3012A**	58MEB040-12	28600	12.00	14.50	3
3124572	24ABS330(A,G)50	CSRH*3012A**	58MEB060-12	28600	12.00	14.50	3
3124573	24ABS330(A,G)50	CSRH*3012A**	58MEB080-12	28600	12.00	14.50	3
3124574	24ABS330(A,G)50	CSRH*3012A**	58MEB080-16	28600	12.00	14.00	3
3040959	24ABS330(A,G)50	CSRH*3012A**	58MV(B,C)040-14	27400	12.00	14.00	3
3040960	24ABS330(A,G)50	CSRH*3012A**	58MV(B,C)060-14	27600	12.00	14.00	3
3040961	24ABS330(A,G)50	CSRH*3012A**	58MV(B,C)080-14	27400	12.00	14.00	3
3040962	24ABS330(A,G)50	CSRH*3012A**	58MV(B,C)080-20	27600	12.00	14.00	3
3040963	24ABS330(A,G)50	CSRH*3012A**	58MV(B,C)100-20	27400	12.00	14.00	3
3040964	24ABS330(A,G)50	CSRH*3012A**	58MV(B,C)120-20	27600	12.00	14.00	3
3040958	24ABS330(A,G)50	CSRH*3012A**+TDR		27600	11.20	13.00	3
3040977	24ABS330(A,G)50	CSRH*3612A**	58CV(A,X)070-12	27400	12.00	14.00	3
3040978	24ABS330(A,G)50	CSRH*3612A**	58CV(A,X)090-16	27400	12.00	14.00	3
3040979	24ABS330(A,G)50	CSRH*3612A**	58CV(A,X)110-20	27400	12.00	14.00	3
3040980	24ABS330(A,G)50	CSRH*3612A**	58CV(A,X)135-22	27400	12.00	14.00	3
3040981	24ABS330(A,G)50	CSRH*3612A**	58CV(A,X)155-22	27400	12.00	14.00	3
3124575	24ABS330(A,G)50	CSRH*3612A**	58MEB040-12	28600	12.00	14.50	3
3124576	24ABS330(A,G)50	CSRH*3612A**	58MEB060-12	28600	12.00	14.50	3
3124577	24ABS330(A,G)50	CSRH*3612A**	58MEB080-12	28600	12.00	14.50	3
3124578	24ABS330(A,G)50	CSRH*3612A**	58MEB080-16	28600	12.00	14.50	3
3040971	24ABS330(A,G)50	CSRH*3612A**	58MV(B,C)040-14	27400	12.00	14.00	3
3040972	24ABS330(A,G)50	CSRH*3612A**	58MV(B,C)060-14	27400	12.00	14.00	3
3040973	24ABS330(A,G)50	CSRH*3612A**	58MV(B,C)080-14	27400	12.00	14.00	3
3040974	24ABS330(A,G)50	CSRH*3612A**	58MV(B,C)080-20	27400	12.00	14.00	3
3040975	24ABS330(A,G)50	CSRH*3612A**	58MV(B,C)100-20	27400	12.00	14.00	3
3040976	24ABS330(A,G)50	CSRH*3612A**	58MV(B,C)120-20	27400	12.00	14.00	3
3040970	24ABS330(A,G)50	CSRH*3612A**+TDR		27400	11.20	13.00	3
3040982	24ABS330(A,G)50	FA4CN(F,C)030		27400	11.20	13.00	3
3040983	24ABS330(A,G)50	FA4CN(F,C)036		27600	11.20	13.00	3
3040985	24ABS330(A,G)50	FC4DN(F,B)036		28200	12.00	14.00	3
3040984	24ABS330(A,G)50	FC4DNF030		27800	12.00	14.00	3
3040986	24ABS330(A,G)50	FF1ENE030		27200	11.20	13.00	3
3040987	24ABS330(A,G)50	FF1ENE036		27600	11.20	13.00	3
3040990	24ABS330(A,G)50	FK4DN(B,F)003		27800	12.00	14.00	3
3040991	24ABS330(A,G)50	FK4DN(B,F)005		28600	12.00	14.00	3
3040988	24ABS330(A,G)50	FK4DNF001		27400	12.00	14.00	3
3040989	24ABS330(A,G)50	FK4DNF002		27800	12.00	14.00	3
3162542	24ABS331(A,G)31	†CAR**3617A**+TDR		28200	11.00	13.00	1
3162552	24ABS331(A,G)31	CAR**3014A**	58CV(A,X)070-12	27800	11.70	13.50	1
3162551	24ABS331(A,G)31	CAR**3014A**+TDR		28200	11.00	13.00	1
3162555	24ABS331(A,G)31	CAR**3017A**	58CV(A,X)090-16	28000	12.00	14.00	1
3162557	24ABS331(A,G)31	CAR**3017A**	58MEB040-12	28200	12.00	14.00	1
3162558	24ABS331(A,G)31	CAR**3017A**	58MEB060-12	28200	12.00	14.00	1
3162559	24ABS331(A,G)31	CAR**3017A**	58MEB080-12	28200	12.00	14.00	1
3162560	24ABS331(A,G)31	CAR**3017A**	58MEB080-16	28200	12.00	14.00	1

See notes on pg. 32

COMBINATION RATINGS CONTINUED

ARI Ref. No.	Model Number	Indoor Model	Furnace Model	Capacity	EER	SEER	Phase
3162554	24ABS331 (A, G)31	CAR**3017A**	58MV(B,C)060-14	28000	12.00	14.00	1
3162556	24ABS331 (A, G)31	CAR**3017A**	58PH*070-16	28200	11.70	13.50	1
3162553	24ABS331 (A, G)31	CAR**3017A**+TDR		28200	11.00	13.00	1
3162562	24ABS331 (A, G)31	CAR**3614A**	58CV(A,X)070-12	28000	11.70	13.50	1
3162561	24ABS331 (A, G)31	CAR**3614A**+TDR		28200	11.00	13.00	1
3162564	24ABS331 (A, G)31	CAR**3617A**	58CV(A,X)090-16	28000	12.00	14.00	1
3162566	24ABS331 (A, G)31	CAR**3617A**	58MEB040-12	28200	12.00	14.00	1
3162567	24ABS331 (A, G)31	CAR**3617A**	58MEB060-12	28200	12.00	14.00	1
3162568	24ABS331 (A, G)31	CAR**3617A**	58MEB080-12	28200	12.00	14.00	1
3162569	24ABS331 (A, G)31	CAR**3617A**	58MEB080-16	28200	12.00	14.00	1
3162563	24ABS331 (A, G)31	CAR**3617A**	58MV(B,C)060-14	28200	12.00	14.00	1
3162565	24ABS331 (A, G)31	CAR**3617A**	58PH*070-16	28200	11.70	13.50	1
3162574	24ABS331 (A, G)31	CAR**3621A**	58CV(A,X)110-20	28200	12.00	14.00	1
3162571	24ABS331 (A, G)31	CAR**3621A**	58MV(B,C)080-14	28000	12.00	14.00	1
3162572	24ABS331 (A, G)31	CAR**3621A**	58MV(B,C)080-20	28000	12.00	14.00	1
3162573	24ABS331 (A, G)31	CAR**3621A**	58MV(B,C)100-20	27800	12.00	14.00	1
3162575	24ABS331 (A, G)31	CAR**3621A**	58PH*090-16	28200	12.00	14.00	1
3162570	24ABS331 (A, G)31	CAR**3621A**+TDR		28200	11.00	13.00	1
3162636	24ABS331 (A, G)31	CNRF*3618A**+TDR		28200	11.00	13.00	1
3162607	24ABS331 (A, G)31	CNRH*3017A**	58CV(A,X)070-12	28000	11.70	13.50	1
3162608	24ABS331 (A, G)31	CNRH*3017A**	58CV(A,X)090-16	28000	12.00	14.00	1
3162609	24ABS331 (A, G)31	CNRH*3017A**	58CV(A,X)110-20	28000	12.00	14.00	1
3162610	24ABS331 (A, G)31	CNRH*3017A**	58CV(A,X)135-22	28000	12.00	14.00	1
3162611	24ABS331 (A, G)31	CNRH*3017A**	58CV(A,X)155-22	28000	12.00	14.00	1
3162614	24ABS331 (A, G)31	CNRH*3017A**	58MEB040-12	28200	12.00	14.00	1
3162615	24ABS331 (A, G)31	CNRH*3017A**	58MEB060-12	28200	12.00	14.00	1
3162616	24ABS331 (A, G)31	CNRH*3017A**	58MEB080-12	28200	12.00	14.00	1
3162617	24ABS331 (A, G)31	CNRH*3017A**	58MEB080-16	28200	12.00	14.00	1
3162602	24ABS331 (A, G)31	CNRH*3017A**	58MV(B,C)060-14	28200	12.00	14.00	1
3162603	24ABS331 (A, G)31	CNRH*3017A**	58MV(B,C)080-14	27800	11.70	13.50	1
3162604	24ABS331 (A, G)31	CNRH*3017A**	58MV(B,C)080-20	28000	11.70	13.50	1
3162605	24ABS331 (A, G)31	CNRH*3017A**	58MV(B,C)100-20	27800	11.70	13.50	1
3162606	24ABS331 (A, G)31	CNRH*3017A**	58MV(B,C)120-20	28000	12.00	14.00	1
3162601	24ABS331 (A, G)31	CNRH*3017A**	58MVB040-14	28000	11.70	14.00	1
3162612	24ABS331 (A, G)31	CNRH*3017A**	58PH*070-16	28200	11.70	13.50	1
3162613	24ABS331 (A, G)31	CNRH*3017A**	58PH*090-16	28200	11.70	13.50	1
3162600	24ABS331 (A, G)31	CNRH*3017A**+TDR		28200	11.00	13.00	1
3162625	24ABS331 (A, G)31	CNRH*3617A**	58CV(A,X)070-12	28000	11.70	13.50	1
3162626	24ABS331 (A, G)31	CNRH*3617A**	58CV(A,X)090-16	28000	12.00	14.00	1
3162627	24ABS331 (A, G)31	CNRH*3617A**	58CV(A,X)110-20	28000	12.00	14.00	1
3162628	24ABS331 (A, G)31	CNRH*3617A**	58CV(A,X)135-22	28000	12.00	14.00	1
3162629	24ABS331 (A, G)31	CNRH*3617A**	58CV(A,X)155-22	28000	12.00	14.00	1
3162632	24ABS331 (A, G)31	CNRH*3617A**	58MEB040-12	28200	12.00	14.00	1
3162633	24ABS331 (A, G)31	CNRH*3617A**	58MEB060-12	28200	12.00	14.00	1
3162634	24ABS331 (A, G)31	CNRH*3617A**	58MEB080-12	28200	12.00	14.00	1
3162635	24ABS331 (A, G)31	CNRH*3617A**	58MEB080-16	28200	12.00	14.00	1
3162620	24ABS331 (A, G)31	CNRH*3617A**	58MV(B,C)060-14	28200	12.00	14.00	1
3162621	24ABS331 (A, G)31	CNRH*3617A**	58MV(B,C)080-14	27800	11.70	13.50	1
3162622	24ABS331 (A, G)31	CNRH*3617A**	58MV(B,C)080-20	28000	11.70	14.00	1
3162623	24ABS331 (A, G)31	CNRH*3617A**	58MV(B,C)100-20	27800	11.70	13.50	1
3162624	24ABS331 (A, G)31	CNRH*3617A**	58MV(B,C)120-20	28000	12.00	14.00	1
3162619	24ABS331 (A, G)31	CNRH*3617A**	58MVB040-14	28000	11.70	13.50	1
3162630	24ABS331 (A, G)31	CNRH*3617A**	58PH*070-16	28200	11.70	13.50	1
3162631	24ABS331 (A, G)31	CNRH*3617A**	58PH*090-16	28200	11.70	13.50	1
3162618	24ABS331 (A, G)31	CNRH*3617A**+TDR		28200	11.00	13.00	1
3162577	24ABS331 (A, G)31	CNRV*3014A**	58CV(A,X)070-12	28000	11.70	13.50	1
3162576	24ABS331 (A, G)31	CNRV*3014A**+TDR		28200	11.00	13.00	1
3162580	24ABS331 (A, G)31	CNRV*3017A**	58CV(A,X)090-16	28000	12.00	14.00	1
3162582	24ABS331 (A, G)31	CNRV*3017A**	58MEB040-12	28200	12.00	14.00	1
3162583	24ABS331 (A, G)31	CNRV*3017A**	58MEB060-12	28200	12.00	14.00	1
3162584	24ABS331 (A, G)31	CNRV*3017A**	58MEB080-12	28200	12.00	14.00	1
3162585	24ABS331 (A, G)31	CNRV*3017A**	58MEB080-16	28200	12.00	14.00	1
3162579	24ABS331 (A, G)31	CNRV*3017A**	58MV(B,C)060-14	28200	12.00	14.00	1
3162581	24ABS331 (A, G)31	CNRV*3017A**	58PH*070-16	28200	11.70	13.50	1
3162578	24ABS331 (A, G)31	CNRV*3017A**+TDR		28200	11.00	13.00	1
3162588	24ABS331 (A, G)31	CNRV*3617A**	58CV(A,X)090-16	28000	12.00	14.00	1
3162590	24ABS331 (A, G)31	CNRV*3617A**	58MEB040-12	28200	12.00	14.00	1
3162591	24ABS331 (A, G)31	CNRV*3617A**	58MEB060-12	28200	12.00	14.00	1
3162592	24ABS331 (A, G)31	CNRV*3617A**	58MEB080-12	28200	12.00	14.00	1
3162593	24ABS331 (A, G)31	CNRV*3617A**	58MEB080-16	28200	12.00	14.00	1
3162587	24ABS331 (A, G)31	CNRV*3617A**	58MV(B,C)060-14	28200	12.00	14.00	1
3162589	24ABS331 (A, G)31	CNRV*3617A**	58PH*070-16	28200	11.70	13.50	1
3162586	24ABS331 (A, G)31	CNRV*3617A**+TDR		28200	11.00	13.00	1

24ABS3

See notes on pg. 32

COMBINATION RATINGS CONTINUED

24ABS3

ARI Ref. No.	Model Number	Indoor Model	Furnace Model	Capacity	EER	SEER	Phase
3162598	24ABS331(A,G)31	CNRV*3621A**	58CV(A,X)110-20	28000	12.00	14.00	1
3162595	24ABS331(A,G)31	CNRV*3621A**	58MV(B,C)080-14	27800	11.70	13.50	1
3162596	24ABS331(A,G)31	CNRV*3621A**	58MV(B,C)080-20	28000	11.70	14.00	1
3162597	24ABS331(A,G)31	CNRV*3621A**	58MV(B,C)100-20	27800	11.70	13.50	1
3162599	24ABS331(A,G)31	CNRV*3621A**	58PH*090-16	28200	11.70	14.00	1
3162594	24ABS331(A,G)31	CNRV*3621A**+TDR		28200	11.00	13.00	1
3162644	24ABS331(A,G)31	CSRH*3012A**	58CV(A,X)070-12	28200	11.70	13.50	1
3162645	24ABS331(A,G)31	CSRH*3012A**	58CV(A,X)090-16	28200	12.00	14.00	1
3162646	24ABS331(A,G)31	CSRH*3012A**	58CV(A,X)110-20	28200	12.00	14.00	1
3162647	24ABS331(A,G)31	CSRH*3012A**	58CV(A,X)135-22	28200	12.00	14.00	1
3162648	24ABS331(A,G)31	CSRH*3012A**	58CV(A,X)155-22	28200	12.00	14.00	1
3162651	24ABS331(A,G)31	CSRH*3012A**	58MEB040-12	28200	12.00	14.00	1
3162652	24ABS331(A,G)31	CSRH*3012A**	58MEB060-12	28200	12.00	14.00	1
3162653	24ABS331(A,G)31	CSRH*3012A**	58MEB080-12	28200	12.00	14.00	1
3162654	24ABS331(A,G)31	CSRH*3012A**	58MEB080-16	28200	12.00	14.00	1
3162639	24ABS331(A,G)31	CSRH*3012A**	58MV(B,C)060-14	28200	12.00	14.00	1
3162640	24ABS331(A,G)31	CSRH*3012A**	58MV(B,C)080-14	28000	11.70	13.50	1
3162641	24ABS331(A,G)31	CSRH*3012A**	58MV(B,C)080-20	28200	11.70	14.00	1
3162642	24ABS331(A,G)31	CSRH*3012A**	58MV(B,C)100-20	28000	11.70	13.50	1
3162643	24ABS331(A,G)31	CSRH*3012A**	58MV(B,C)120-20	28200	12.00	14.00	1
3162638	24ABS331(A,G)31	CSRH*3012A**	58MVB040-14	28000	11.70	13.50	1
3162649	24ABS331(A,G)31	CSRH*3012A**	58PH*070-16	28200	11.70	13.50	1
3162650	24ABS331(A,G)31	CSRH*3012A**	58PH*090-16	28200	11.70	13.50	1
3162637	24ABS331(A,G)31	CSRH*3012A**+TDR		28200	11.00	13.00	1
3162662	24ABS331(A,G)31	CSRH*3612A**	58CV(A,X)070-12	28200	12.00	14.00	1
3162663	24ABS331(A,G)31	CSRH*3612A**	58CV(A,X)090-16	28200	12.00	14.00	1
3162664	24ABS331(A,G)31	CSRH*3612A**	58CV(A,X)110-20	28200	12.00	14.00	1
3162665	24ABS331(A,G)31	CSRH*3612A**	58CV(A,X)135-22	28200	12.00	14.00	1
3162666	24ABS331(A,G)31	CSRH*3612A**	58CV(A,X)155-22	28200	12.00	14.00	1
3162669	24ABS331(A,G)31	CSRH*3612A**	58MEB040-12	28200	12.00	14.00	1
3162670	24ABS331(A,G)31	CSRH*3612A**	58MEB060-12	28200	12.00	14.00	1
3162671	24ABS331(A,G)31	CSRH*3612A**	58MEB080-12	28200	12.00	14.00	1
3162672	24ABS331(A,G)31	CSRH*3612A**	58MEB080-16	28200	12.00	14.00	1
3162657	24ABS331(A,G)31	CSRH*3612A**	58MV(B,C)060-14	28200	12.00	14.00	1
3162658	24ABS331(A,G)31	CSRH*3612A**	58MV(B,C)080-14	28200	12.00	14.00	1
3162659	24ABS331(A,G)31	CSRH*3612A**	58MV(B,C)080-20	28200	12.00	14.00	1
3162660	24ABS331(A,G)31	CSRH*3612A**	58MV(B,C)100-20	28200	12.00	14.00	1
3162661	24ABS331(A,G)31	CSRH*3612A**	58MV(B,C)120-20	28200	12.00	14.00	1
3162656	24ABS331(A,G)31	CSRH*3612A**	58MVB040-14	28200	12.00	14.00	1
3162667	24ABS331(A,G)31	CSRH*3612A**	58PH*070-16	28200	12.00	14.00	1
3162668	24ABS331(A,G)31	CSRH*3612A**	58PH*090-16	28200	12.00	14.00	1
3162655	24ABS331(A,G)31	CSRH*3612A**+TDR		28200	11.00	13.00	1
3162543	24ABS331(A,G)31	FA4CN(F,C)030		27400	11.00	13.00	1
3162545	24ABS331(A,G)31	FC4DN(F,B)036		28200	11.50	13.50	1
3162544	24ABS331(A,G)31	FC4DNF030		28200	11.70	13.50	1
3162546	24ABS331(A,G)31	FF1ENE036		28200	11.00	13.00	1
3162549	24ABS331(A,G)31	FK4DN(B,F)003		28200	12.20	14.50	1
3162550	24ABS331(A,G)31	FK4DN(B,F)005		28200	12.20	14.50	1
3162547	24ABS331(A,G)31	FK4DNF001		28000	11.70	13.50	1
3162548	24ABS331(A,G)31	FK4DNF002		27600	11.70	13.50	1
3039660	24ABS336(A,G)30	†CAR**3617A**+TDR		33800	11.20	13.00	1
3039689	24ABS336(A,G)30	CAR**3614A**	58CV(A,X)070-12	33000	11.70	13.50	1
3039661	24ABS336(A,G)30	CAR**3614A**	58PH*045-08	33400	11.20	13.20	1
3039688	24ABS336(A,G)30	CAR**3614A**+TDR		33000	11.20	13.00	1
3039691	24ABS336(A,G)30	CAR**3617A**	58CV(A,X)090-16	33600	12.00	14.00	1
3113340	24ABS336(A,G)30	CAR**3617A**	58MEB040-12	34400	12.00	14.00	1
3113341	24ABS336(A,G)30	CAR**3617A**	58MEB060-12	34400	12.00	14.00	1
3113342	24ABS336(A,G)30	CAR**3617A**	58MEB080-12	34400	12.00	14.00	1
3113343	24ABS336(A,G)30	CAR**3617A**	58MEB080-16	34400	12.00	14.00	1
3039690	24ABS336(A,G)30	CAR**3617A**	58MV(B,C)060-14	33800	11.70	13.50	1
3039662	24ABS336(A,G)30	CAR**3617A**	58PH*070-16	34600	11.70	13.50	1
3039696	24ABS336(A,G)30	CAR**3621A**	58CV(A,X)110-20	33600	12.00	14.00	1
3113344	24ABS336(A,G)30	CAR**3621A**	58MEB100-20	34400	12.00	14.00	1
3039693	24ABS336(A,G)30	CAR**3621A**	58MV(B,C)080-14	33600	11.70	13.50	1
3039694	24ABS336(A,G)30	CAR**3621A**	58MV(B,C)080-20	33600	12.00	14.00	1
3039695	24ABS336(A,G)30	CAR**3621A**	58MV(B,C)100-20	33800	12.00	14.00	1
3039663	24ABS336(A,G)30	CAR**3621A**	58PH*090-16	35000	12.00	14.00	1
3039664	24ABS336(A,G)30	CAR**3621A**	58PH*110-20	35200	12.00	14.00	1
3039692	24ABS336(A,G)30	CAR**3621A**+TDR		33800	11.20	13.00	1
3039701	24ABS336(A,G)30	CAR**4221A**	58CV(A,X)110-20	34000	12.00	14.00	1
3113345	24ABS336(A,G)30	CAR**4221A**	58MEB100-20	34400	12.00	14.00	1
3039698	24ABS336(A,G)30	CAR**4221A**	58MV(B,C)080-14	34000	12.00	14.00	1

See notes on pg. 32

COMBINATION RATINGS CONTINUED

ARI Ref. No.	Model Number	Indoor Model	Furnace Model	Capacity	EER	SEER	Phase
3039699	24ABS336(A,G)30	CAR**4221A**	58MV(B,C)080-20	33800	12.00	14.00	1
3039700	24ABS336(A,G)30	CAR**4221A**	58MV(B,C)100-20	34000	12.00	14.00	1
3039665	24ABS336(A,G)30	CAR**4221A**	58PH*090-16	35200	12.00	14.00	1
3039666	24ABS336(A,G)30	CAR**4221A**	58PH*110-20	35400	12.00	14.00	1
3039697	24ABS336(A,G)30	CAR**4221A**+TDR		34200	11.20	13.00	1
3039705	24ABS336(A,G)30	CAR**4224A**	58CV(A,X)135-22	34000	12.00	14.00	1
3039706	24ABS336(A,G)30	CAR**4224A**	58CV(A,X)155-22	34000	12.00	14.00	1
3039703	24ABS336(A,G)30	CAR**4224A**	58MV(B,C)040-14	33800	11.70	13.50	1
3039704	24ABS336(A,G)30	CAR**4224A**	58MV(B,C)120-20	34000	12.00	14.00	1
3039702	24ABS336(A,G)30	CAR**4224A**+TDR		34200	11.20	13.00	1
3039744	24ABS336(A,G)30	CNRH*3618A**+TDR		33800	11.20	13.00	1
3039727	24ABS336(A,G)30	CNRH*3617A**	58CV(A,X)070-12	33600	11.70	13.50	1
3039728	24ABS336(A,G)30	CNRH*3617A**	58CV(A,X)090-16	33600	11.70	13.50	1
3039729	24ABS336(A,G)30	CNRH*3617A**	58CV(A,X)110-20	33600	11.70	13.50	1
3039730	24ABS336(A,G)30	CNRH*3617A**	58CV(A,X)135-22	33600	12.00	14.00	1
3039731	24ABS336(A,G)30	CNRH*3617A**	58CV(A,X)155-22	33600	12.00	14.00	1
3113352	24ABS336(A,G)30	CNRH*3617A**	58MEB040-12	34400	12.00	14.00	1
3113353	24ABS336(A,G)30	CNRH*3617A**	58MEB060-12	34400	12.00	14.00	1
3113354	24ABS336(A,G)30	CNRH*3617A**	58MEB080-12	34400	12.00	14.00	1
3113355	24ABS336(A,G)30	CNRH*3617A**	58MEB080-16	34400	12.00	14.00	1
3113356	24ABS336(A,G)30	CNRH*3617A**	58MEB100-20	34400	12.00	14.00	1
3039721	24ABS336(A,G)30	CNRH*3617A**	58MV(B,C)040-14	33600	11.70	13.50	1
3039722	24ABS336(A,G)30	CNRH*3617A**	58MV(B,C)060-14	33600	11.70	13.50	1
3039723	24ABS336(A,G)30	CNRH*3617A**	58MV(B,C)080-14	33600	11.70	13.50	1
3039724	24ABS336(A,G)30	CNRH*3617A**	58MV(B,C)080-20	33600	11.70	13.50	1
3039725	24ABS336(A,G)30	CNRH*3617A**	58MV(B,C)100-20	33600	11.70	13.50	1
3039726	24ABS336(A,G)30	CNRH*3617A**	58MV(B,C)120-20	33600	11.70	13.50	1
3039672	24ABS336(A,G)30	CNRH*3617A**	58PH*045-08	34400	11.20	13.20	1
3039673	24ABS336(A,G)30	CNRH*3617A**	58PH*070-16	34400	11.70	13.50	1
3039674	24ABS336(A,G)30	CNRH*3617A**	58PH*090-16	34600	12.00	14.00	1
3039675	24ABS336(A,G)30	CNRH*3617A**	58PH*110-20	34800	12.00	14.00	1
3039720	24ABS336(A,G)30	CNRH*3617A**+TDR		33800	11.20	13.00	1
3039739	24ABS336(A,G)30	CNRH*4221A**	58CV(A,X)070-12	33800	11.70	13.50	1
3039740	24ABS336(A,G)30	CNRH*4221A**	58CV(A,X)090-16	34000	12.00	14.00	1
3039741	24ABS336(A,G)30	CNRH*4221A**	58CV(A,X)110-20	34000	12.00	14.00	1
3039742	24ABS336(A,G)30	CNRH*4221A**	58CV(A,X)135-22	34000	12.00	14.00	1
3039743	24ABS336(A,G)30	CNRH*4221A**	58CV(A,X)155-22	34000	12.00	14.00	1
3113357	24ABS336(A,G)30	CNRH*4221A**	58MEB040-12	34400	12.00	14.00	1
3113358	24ABS336(A,G)30	CNRH*4221A**	58MEB060-12	34400	12.00	14.00	1
3113359	24ABS336(A,G)30	CNRH*4221A**	58MEB080-12	34400	12.00	14.00	1
3113360	24ABS336(A,G)30	CNRH*4221A**	58MEB080-16	34400	12.00	14.00	1
3113361	24ABS336(A,G)30	CNRH*4221A**	58MEB100-20	34400	12.00	14.00	1
3039733	24ABS336(A,G)30	CNRH*4221A**	58MV(B,C)040-14	33800	11.70	13.50	1
3039734	24ABS336(A,G)30	CNRH*4221A**	58MV(B,C)060-14	34000	12.00	14.00	1
3039735	24ABS336(A,G)30	CNRH*4221A**	58MV(B,C)080-14	33800	11.70	13.50	1
3039736	24ABS336(A,G)30	CNRH*4221A**	58MV(B,C)080-20	33800	12.00	14.00	1
3039737	24ABS336(A,G)30	CNRH*4221A**	58MV(B,C)100-20	34000	12.00	14.00	1
3039738	24ABS336(A,G)30	CNRH*4221A**	58MV(B,C)120-20	34000	12.00	14.00	1
3039676	24ABS336(A,G)30	CNRH*4221A**	58PH*045-08	34800	11.50	13.20	1
3039677	24ABS336(A,G)30	CNRH*4221A**	58PH*070-16	35000	11.70	13.50	1
3039678	24ABS336(A,G)30	CNRH*4221A**	58PH*090-16	35200	12.00	14.00	1
3039679	24ABS336(A,G)30	CNRH*4221A**	58PH*110-20	35400	12.00	14.00	1
3039732	24ABS336(A,G)30	CNRH*4221A**+TDR		34200	11.20	13.00	1
3039709	24ABS336(A,G)30	CNRV*3617A**	58CV(A,X)090-16	33600	11.70	13.50	1
3113346	24ABS336(A,G)30	CNRV*3617A**	58MEB040-12	34400	12.00	14.00	1
3113347	24ABS336(A,G)30	CNRV*3617A**	58MEB060-12	34400	12.00	14.00	1
3113348	24ABS336(A,G)30	CNRV*3617A**	58MEB080-12	34400	12.00	14.00	1
3113349	24ABS336(A,G)30	CNRV*3617A**	58MEB080-16	34400	12.00	14.00	1
3039708	24ABS336(A,G)30	CNRV*3617A**	58MV(B,C)060-14	33600	11.70	13.50	1
3039667	24ABS336(A,G)30	CNRV*3617A**	58PH*070-16	34400	11.70	13.50	1
3039707	24ABS336(A,G)30	CNRV*3617A**+TDR		33800	11.20	13.00	1
3039714	24ABS336(A,G)30	CNRV*3621A**	58CV(A,X)110-20	33600	11.70	13.50	1
3113350	24ABS336(A,G)30	CNRV*3621A**	58MEB100-20	34400	12.00	14.00	1
3039711	24ABS336(A,G)30	CNRV*3621A**	58MV(B,C)080-14	33600	11.70	13.50	1
3039712	24ABS336(A,G)30	CNRV*3621A**	58MV(B,C)080-20	33600	11.70	13.50	1
3039713	24ABS336(A,G)30	CNRV*3621A**	58MV(B,C)100-20	33600	11.70	13.50	1
3039668	24ABS336(A,G)30	CNRV*3621A**	58PH*090-16	34600	12.00	14.00	1
3039669	24ABS336(A,G)30	CNRV*3621A**	58PH*110-20	34800	12.00	14.00	1
3039710	24ABS336(A,G)30	CNRV*3621A**+TDR		33800	11.20	13.00	1
3039719	24ABS336(A,G)30	CNRV*4221A**	58CV(A,X)110-20	34000	12.00	14.00	1
3113351	24ABS336(A,G)30	CNRV*4221A**	58MEB100-20	34400	12.00	14.00	1
3039716	24ABS336(A,G)30	CNRV*4221A**	58MV(B,C)080-14	33800	11.70	13.50	1
3039717	24ABS336(A,G)30	CNRV*4221A**	58MV(B,C)080-20	33800	12.00	14.00	1

24ABS3

See notes on pg. 32

COMBINATION RATINGS CONTINUED

24ABS3

ARI Ref. No.	Model Number	Indoor Model	Furnace Model	Capacity	EER	SEER	Phase
3039718	24ABS336(A,G)30	CNRV*4221A**	58MV(B,C)100-20	34000	12.00	14.00	1
3039670	24ABS336(A,G)30	CNRV*4221A**	58PH*090-16	35200	12.00	14.00	1
3039671	24ABS336(A,G)30	CNRV*4221A**	58PH*110-20	35400	12.00	14.00	1
3039715	24ABS336(A,G)30	CNRV*4221A**+TDR		34200	11.20	13.00	1
3039752	24ABS336(A,G)30	CSRH*3612A**	58CV(A,X)070-12	33600	12.00	14.00	1
3039753	24ABS336(A,G)30	CSRH*3612A**	58CV(A,X)090-16	33600	12.00	14.00	1
3039754	24ABS336(A,G)30	CSRH*3612A**	58CV(A,X)110-20	33600	12.00	14.00	1
3039755	24ABS336(A,G)30	CSRH*3612A**	58CV(A,X)135-22	33600	12.00	14.00	1
3039756	24ABS336(A,G)30	CSRH*3612A**	58CV(A,X)155-22	33600	12.00	14.00	1
3113362	24ABS336(A,G)30	CSRH*3612A**	58MEB040-12	34400	12.00	14.00	1
3113363	24ABS336(A,G)30	CSRH*3612A**	58MEB060-12	34400	12.00	14.00	1
3113364	24ABS336(A,G)30	CSRH*3612A**	58MEB080-12	34400	12.00	14.00	1
3113365	24ABS336(A,G)30	CSRH*3612A**	58MEB080-16	34400	12.00	14.00	1
3113366	24ABS336(A,G)30	CSRH*3612A**	58MEB100-20	34400	12.00	14.00	1
3039746	24ABS336(A,G)30	CSRH*3612A**	58MV(B,C)040-14	33600	12.00	14.00	1
3039747	24ABS336(A,G)30	CSRH*3612A**	58MV(B,C)060-14	33600	12.00	14.00	1
3039748	24ABS336(A,G)30	CSRH*3612A**	58MV(B,C)080-14	33600	12.00	14.00	1
3039749	24ABS336(A,G)30	CSRH*3612A**	58MV(B,C)080-20	33800	12.00	14.00	1
3039750	24ABS336(A,G)30	CSRH*3612A**	58MV(B,C)100-20	33600	12.00	14.00	1
3039751	24ABS336(A,G)30	CSRH*3612A**	58MV(B,C)120-20	33600	12.00	14.00	1
3039680	24ABS336(A,G)30	CSRH*3612A**	58PH*045-08	34400	11.20	13.20	1
3039681	24ABS336(A,G)30	CSRH*3612A**	58PH*070-16	34400	11.70	13.50	1
3039682	24ABS336(A,G)30	CSRH*3612A**	58PH*090-16	34600	12.00	14.00	1
3039683	24ABS336(A,G)30	CSRH*3612A**	58PH*110-20	34800	12.00	14.00	1
3039745	24ABS336(A,G)30	CSRH*3612A**+TDR		33800	11.20	13.00	1
3039764	24ABS336(A,G)30	CSRH*4212A**	58CV(A,X)070-12	33800	12.00	14.00	1
3039765	24ABS336(A,G)30	CSRH*4212A**	58CV(A,X)090-16	34000	12.00	14.00	1
3039766	24ABS336(A,G)30	CSRH*4212A**	58CV(A,X)110-20	34000	12.00	14.00	1
3039767	24ABS336(A,G)30	CSRH*4212A**	58CV(A,X)135-22	34000	12.00	14.00	1
3039768	24ABS336(A,G)30	CSRH*4212A**	58CV(A,X)155-22	34000	12.00	14.00	1
3113367	24ABS336(A,G)30	CSRH*4212A**	58MEB040-12	34400	12.00	14.00	1
3113368	24ABS336(A,G)30	CSRH*4212A**	58MEB060-12	34400	12.00	14.00	1
3113369	24ABS336(A,G)30	CSRH*4212A**	58MEB080-12	34400	12.00	14.00	1
3113370	24ABS336(A,G)30	CSRH*4212A**	58MEB080-16	34400	12.00	14.00	1
3113371	24ABS336(A,G)30	CSRH*4212A**	58MEB100-20	34400	12.00	14.00	1
3039758	24ABS336(A,G)30	CSRH*4212A**	58MV(B,C)040-14	33800	12.00	14.00	1
3039759	24ABS336(A,G)30	CSRH*4212A**	58MV(B,C)060-14	33800	12.00	14.00	1
3039760	24ABS336(A,G)30	CSRH*4212A**	58MV(B,C)080-14	33800	12.00	14.00	1
3039761	24ABS336(A,G)30	CSRH*4212A**	58MV(B,C)080-20	33800	12.00	14.00	1
3039762	24ABS336(A,G)30	CSRH*4212A**	58MV(B,C)100-20	34000	12.00	14.00	1
3039763	24ABS336(A,G)30	CSRH*4212A**	58MV(B,C)120-20	34000	12.00	14.00	1
3039684	24ABS336(A,G)30	CSRH*4212A**	58PH*045-08	34800	11.50	13.20	1
3039685	24ABS336(A,G)30	CSRH*4212A**	58PH*070-16	35000	11.70	13.50	1
3039686	24ABS336(A,G)30	CSRH*4212A**	58PH*090-16	35200	12.00	14.00	1
3039687	24ABS336(A,G)30	CSRH*4212A**	58PH*110-20	35400	12.00	14.00	1
3039757	24ABS336(A,G)30	CSRH*4212A**+TDR		34200	11.20	13.00	1
3039769	24ABS336(A,G)30	FA4CN(F,C)036		33800	11.00	13.00	1
3039770	24ABS336(A,G)30	FA4CN(F,C)042		34600	11.20	13.00	1
3039771	24ABS336(A,G)30	FC4DN(F,B)036		34600	11.70	13.50	1
3039772	24ABS336(A,G)30	FC4DN(F,B)042		35400	11.70	13.50	1
3039773	24ABS336(A,G)30	FF1ENE036		34400	11.20	13.00	1
3039776	24ABS336(A,G)30	FK4DN(B,F)003		34400	12.00	14.00	1
3039777	24ABS336(A,G)30	FK4DN(B,F)005		35800	12.00	14.00	1
3039778	24ABS336(A,G)30	FK4DNB006		36200	12.00	14.00	1
3039774	24ABS336(A,G)30	FK4DNF001		33800	11.70	13.50	1
3039775	24ABS336(A,G)30	FK4DNF002		34200	11.70	13.50	1
3040992	24ABS336(A,G)50	†CAR**3617A**+TDR		33800	11.20	13.00	3
3041021	24ABS336(A,G)50	CAR**3614A**	58CV(A,X)070-12	33000	11.70	13.50	3
3040993	24ABS336(A,G)50	CAR**3614A**	58PH*045-08	33400	11.20	13.20	3
3041020	24ABS336(A,G)50	CAR**3614A**+TDR		33000	11.20	13.00	3
3041023	24ABS336(A,G)50	CAR**3617A**	58CV(A,X)090-16	33600	12.00	14.00	3
3124579	24ABS336(A,G)50	CAR**3617A**	58MEB040-12	34400	12.00	14.00	3
3124580	24ABS336(A,G)50	CAR**3617A**	58MEB060-12	34400	12.00	14.00	3
3124581	24ABS336(A,G)50	CAR**3617A**	58MEB080-12	34400	12.00	14.00	3
3124582	24ABS336(A,G)50	CAR**3617A**	58MEB080-16	34400	12.00	14.00	3
3041022	24ABS336(A,G)50	CAR**3617A**	58MV(B,C)060-14	33800	11.70	13.50	3
3040994	24ABS336(A,G)50	CAR**3617A**	58PH*070-16	34600	11.70	13.50	3
3041028	24ABS336(A,G)50	CAR**3621A**	58CV(A,X)110-20	33600	12.00	14.00	3
3124583	24ABS336(A,G)50	CAR**3621A**	58MEB100-20	34400	12.00	14.00	3
3041025	24ABS336(A,G)50	CAR**3621A**	58MV(B,C)080-14	33600	11.70	13.50	3
3041026	24ABS336(A,G)50	CAR**3621A**	58MV(B,C)080-20	33600	12.00	14.00	3
3041027	24ABS336(A,G)50	CAR**3621A**	58MV(B,C)100-20	33800	12.00	14.00	3

See notes on pg. 32

COMBINATION RATINGS CONTINUED

ARI Ref. No.	Model Number	Indoor Model	Furnace Model	Capacity	EER	SEER	Phase
3040995	24ABS336(A,G)50	CAR**3621A**	58PH*090-16	35000	12.00	14.00	3
3040996	24ABS336(A,G)50	CAR**3621A**	58PH*110-20	35200	12.00	14.00	3
3041024	24ABS336(A,G)50	CAR**3621A**+TDR		33800	11.20	13.00	3
3041033	24ABS336(A,G)50	CAR**4221A**	58CV(A,X)110-20	34000	12.00	14.00	3
3124584	24ABS336(A,G)50	CAR**4221A**	58MEB100-20	34400	12.00	14.00	3
3041030	24ABS336(A,G)50	CAR**4221A**	58MV(B,C)080-14	34000	12.00	14.00	3
3041031	24ABS336(A,G)50	CAR**4221A**	58MV(B,C)080-20	33800	12.00	14.00	3
3041032	24ABS336(A,G)50	CAR**4221A**	58MV(B,C)100-20	34000	12.00	14.00	3
3040997	24ABS336(A,G)50	CAR**4221A**	58PH*090-16	35200	12.00	14.00	3
3040998	24ABS336(A,G)50	CAR**4221A**	58PH*110-20	35400	12.00	14.00	3
3041029	24ABS336(A,G)50	CAR**4221A**+TDR		34200	11.20	13.00	3
3041037	24ABS336(A,G)50	CAR**4224A**	58CV(A,X)135-22	34000	12.00	14.00	3
3041038	24ABS336(A,G)50	CAR**4224A**	58CV(A,X)155-22	34000	12.00	14.00	3
3041035	24ABS336(A,G)50	CAR**4224A**	58MV(B,C)040-14	33800	11.70	13.50	3
3041036	24ABS336(A,G)50	CAR**4224A**	58MV(B,C)120-20	34000	12.00	14.00	3
3041034	24ABS336(A,G)50	CAR**4224A**+TDR		34200	11.20	13.00	3
3041076	24ABS336(A,G)50	CNRH*3618A**+TDR		33800	11.20	13.00	3
3041059	24ABS336(A,G)50	CNRH*3617A**	58CV(A,X)070-12	33600	11.70	13.50	3
3041060	24ABS336(A,G)50	CNRH*3617A**	58CV(A,X)090-16	33600	11.70	13.50	3
3041061	24ABS336(A,G)50	CNRH*3617A**	58CV(A,X)110-20	33600	11.70	13.50	3
3041062	24ABS336(A,G)50	CNRH*3617A**	58CV(A,X)135-22	33600	12.00	14.00	3
3041063	24ABS336(A,G)50	CNRH*3617A**	58CV(A,X)155-22	33600	12.00	14.00	3
3124591	24ABS336(A,G)50	CNRH*3617A**	58MEB040-12	34400	12.00	14.00	3
3124592	24ABS336(A,G)50	CNRH*3617A**	58MEB060-12	34400	12.00	14.00	3
3124593	24ABS336(A,G)50	CNRH*3617A**	58MEB080-12	34400	12.00	14.00	3
3124594	24ABS336(A,G)50	CNRH*3617A**	58MEB080-16	34400	12.00	14.00	3
3124595	24ABS336(A,G)50	CNRH*3617A**	58MEB100-20	34400	12.00	14.00	3
3041053	24ABS336(A,G)50	CNRH*3617A**	58MV(B,C)040-14	33600	11.70	13.50	3
3041054	24ABS336(A,G)50	CNRH*3617A**	58MV(B,C)060-14	33600	11.70	13.50	3
3041055	24ABS336(A,G)50	CNRH*3617A**	58MV(B,C)080-14	33600	11.70	13.50	3
3041056	24ABS336(A,G)50	CNRH*3617A**	58MV(B,C)080-20	33600	11.70	13.50	3
3041057	24ABS336(A,G)50	CNRH*3617A**	58MV(B,C)100-20	33600	11.70	13.50	3
3041058	24ABS336(A,G)50	CNRH*3617A**	58MV(B,C)120-20	33600	11.70	13.50	3
3041004	24ABS336(A,G)50	CNRH*3617A**	58PH*045-08	34400	11.20	13.20	3
3041005	24ABS336(A,G)50	CNRH*3617A**	58PH*070-16	34400	11.70	13.50	3
3041006	24ABS336(A,G)50	CNRH*3617A**	58PH*090-16	34600	12.00	14.00	3
3041007	24ABS336(A,G)50	CNRH*3617A**	58PH*110-20	34800	12.00	14.00	3
3041052	24ABS336(A,G)50	CNRH*3617A**+TDR		33800	11.20	13.00	3
3041071	24ABS336(A,G)50	CNRH*4221A**	58CV(A,X)070-12	33800	11.70	13.50	3
3041072	24ABS336(A,G)50	CNRH*4221A**	58CV(A,X)090-16	34000	12.00	14.00	3
3041073	24ABS336(A,G)50	CNRH*4221A**	58CV(A,X)110-20	34000	12.00	14.00	3
3041074	24ABS336(A,G)50	CNRH*4221A**	58CV(A,X)135-22	34000	12.00	14.00	3
3041075	24ABS336(A,G)50	CNRH*4221A**	58CV(A,X)155-22	34000	12.00	14.00	3
3124596	24ABS336(A,G)50	CNRH*4221A**	58MEB040-12	34400	12.00	14.00	3
3124597	24ABS336(A,G)50	CNRH*4221A**	58MEB060-12	34400	12.00	14.00	3
3124598	24ABS336(A,G)50	CNRH*4221A**	58MEB080-12	34400	12.00	14.00	3
3124599	24ABS336(A,G)50	CNRH*4221A**	58MEB080-16	34400	12.00	14.00	3
3124600	24ABS336(A,G)50	CNRH*4221A**	58MEB100-20	34400	12.00	14.00	3
3041065	24ABS336(A,G)50	CNRH*4221A**	58MV(B,C)040-14	33800	11.70	13.50	3
3041066	24ABS336(A,G)50	CNRH*4221A**	58MV(B,C)060-14	34000	12.00	14.00	3
3041067	24ABS336(A,G)50	CNRH*4221A**	58MV(B,C)080-14	33800	11.70	13.50	3
3041068	24ABS336(A,G)50	CNRH*4221A**	58MV(B,C)080-20	33800	12.00	14.00	3
3041069	24ABS336(A,G)50	CNRH*4221A**	58MV(B,C)100-20	34000	12.00	14.00	3
3041070	24ABS336(A,G)50	CNRH*4221A**	58MV(B,C)120-20	34000	12.00	14.00	3
3041008	24ABS336(A,G)50	CNRH*4221A**	58PH*045-08	34800	11.50	13.20	3
3041009	24ABS336(A,G)50	CNRH*4221A**	58PH*070-16	35000	11.70	13.50	3
3041010	24ABS336(A,G)50	CNRH*4221A**	58PH*090-16	35200	12.00	14.00	3
3041011	24ABS336(A,G)50	CNRH*4221A**	58PH*110-20	35400	12.00	14.00	3
3041064	24ABS336(A,G)50	CNRH*4221A**+TDR		34200	11.20	13.00	3
3041041	24ABS336(A,G)50	CNRV*3617A**	58CV(A,X)090-16	33600	11.70	13.50	3
3124585	24ABS336(A,G)50	CNRV*3617A**	58MEB040-12	34400	12.00	14.00	3
3124586	24ABS336(A,G)50	CNRV*3617A**	58MEB060-12	34400	12.00	14.00	3
3124587	24ABS336(A,G)50	CNRV*3617A**	58MEB080-12	34400	12.00	14.00	3
3124588	24ABS336(A,G)50	CNRV*3617A**	58MEB080-16	34400	12.00	14.00	3
3041040	24ABS336(A,G)50	CNRV*3617A**	58MV(B,C)060-14	33600	11.70	13.50	3
3040999	24ABS336(A,G)50	CNRV*3617A**	58PH*070-16	34400	11.70	13.50	3
3041039	24ABS336(A,G)50	CNRV*3617A**+TDR		33800	11.20	13.00	3
3041046	24ABS336(A,G)50	CNRV*3621A**	58CV(A,X)110-20	33600	11.70	13.50	3
3124589	24ABS336(A,G)50	CNRV*3621A**	58MEB100-20	34400	12.00	14.00	3
3041043	24ABS336(A,G)50	CNRV*3621A**	58MV(B,C)080-14	33600	11.70	13.50	3
3041044	24ABS336(A,G)50	CNRV*3621A**	58MV(B,C)080-20	33600	11.70	13.50	3
3041045	24ABS336(A,G)50	CNRV*3621A**	58MV(B,C)100-20	33600	11.70	13.50	3
3041000	24ABS336(A,G)50	CNRV*3621A**	58PH*090-16	34600	12.00	14.00	3

24ABS3

See notes on pg. 32

COMBINATION RATINGS CONTINUED

24ABS3

ARI Ref. No.	Model Number	Indoor Model	Furnace Model	Capacity	EER	SEER	Phase
3041001	24ABS336(A,G)50	CNRV*3621A**	58PH*110-20	34800	12.00	14.00	3
3041042	24ABS336(A,G)50	CNRV*3621A**+TDR		33800	11.20	13.00	3
3041051	24ABS336(A,G)50	CNRV*4221A**	58CV(A,X)110-20	34000	12.00	14.00	3
3124590	24ABS336(A,G)50	CNRV*4221A**	58MEB100-20	34400	12.00	14.00	3
3041048	24ABS336(A,G)50	CNRV*4221A**	58MV(B,C)080-14	33800	11.70	13.50	3
3041049	24ABS336(A,G)50	CNRV*4221A**	58MV(B,C)080-20	33800	12.00	14.00	3
3041050	24ABS336(A,G)50	CNRV*4221A**	58MV(B,C)100-20	34000	12.00	14.00	3
3041002	24ABS336(A,G)50	CNRV*4221A**	58PH*090-16	35200	12.00	14.00	3
3041003	24ABS336(A,G)50	CNRV*4221A**	58PH*110-20	35400	12.00	14.00	3
3041047	24ABS336(A,G)50	CNRV*4221A**+TDR		34200	11.20	13.00	3
3041084	24ABS336(A,G)50	CSRH*3612A**	58CV(A,X)070-12	33600	12.00	14.00	3
3041085	24ABS336(A,G)50	CSRH*3612A**	58CV(A,X)090-16	33600	12.00	14.00	3
3041086	24ABS336(A,G)50	CSRH*3612A**	58CV(A,X)110-20	33600	12.00	14.00	3
3041087	24ABS336(A,G)50	CSRH*3612A**	58CV(A,X)135-22	33600	12.00	14.00	3
3041088	24ABS336(A,G)50	CSRH*3612A**	58CV(A,X)155-22	33600	12.00	14.00	3
3124601	24ABS336(A,G)50	CSRH*3612A**	58MEB040-12	34400	12.00	14.00	3
3124602	24ABS336(A,G)50	CSRH*3612A**	58MEB060-12	34400	12.00	14.00	3
3124603	24ABS336(A,G)50	CSRH*3612A**	58MEB080-12	34400	12.00	14.00	3
3124604	24ABS336(A,G)50	CSRH*3612A**	58MEB080-16	34400	12.00	14.00	3
3124605	24ABS336(A,G)50	CSRH*3612A**	58MEB100-20	34400	12.00	14.00	3
3041078	24ABS336(A,G)50	CSRH*3612A**	58MV(B,C)040-14	33600	12.00	14.00	3
3041079	24ABS336(A,G)50	CSRH*3612A**	58MV(B,C)060-14	33600	12.00	14.00	3
3041080	24ABS336(A,G)50	CSRH*3612A**	58MV(B,C)080-14	33600	12.00	14.00	3
3041081	24ABS336(A,G)50	CSRH*3612A**	58MV(B,C)080-20	33800	12.00	14.00	3
3041082	24ABS336(A,G)50	CSRH*3612A**	58MV(B,C)100-20	33600	12.00	14.00	3
3041083	24ABS336(A,G)50	CSRH*3612A**	58MV(B,C)120-20	33600	12.00	14.00	3
3041012	24ABS336(A,G)50	CSRH*3612A**	58PH*045-08	34400	11.20	13.20	3
3041013	24ABS336(A,G)50	CSRH*3612A**	58PH*070-16	34400	11.70	13.50	3
3041014	24ABS336(A,G)50	CSRH*3612A**	58PH*090-16	34600	12.00	14.00	3
3041015	24ABS336(A,G)50	CSRH*3612A**	58PH*110-20	34800	12.00	14.00	3
3041077	24ABS336(A,G)50	CSRH*3612A**+TDR		33800	11.20	13.00	3
3041096	24ABS336(A,G)50	CSRH*4212A**	58CV(A,X)070-12	33800	12.00	14.00	3
3041097	24ABS336(A,G)50	CSRH*4212A**	58CV(A,X)090-16	34000	12.00	14.00	3
3041098	24ABS336(A,G)50	CSRH*4212A**	58CV(A,X)110-20	34000	12.00	14.00	3
3041099	24ABS336(A,G)50	CSRH*4212A**	58CV(A,X)135-22	34000	12.00	14.00	3
3041100	24ABS336(A,G)50	CSRH*4212A**	58CV(A,X)155-22	34000	12.00	14.00	3
3124606	24ABS336(A,G)50	CSRH*4212A**	58MEB040-12	34400	12.00	14.00	3
3124607	24ABS336(A,G)50	CSRH*4212A**	58MEB060-12	34400	12.00	14.00	3
3124608	24ABS336(A,G)50	CSRH*4212A**	58MEB080-12	34400	12.00	14.00	3
3124609	24ABS336(A,G)50	CSRH*4212A**	58MEB080-16	34400	12.00	14.00	3
3124610	24ABS336(A,G)50	CSRH*4212A**	58MEB100-20	34400	12.00	14.00	3
3041090	24ABS336(A,G)50	CSRH*4212A**	58MV(B,C)040-14	33800	12.00	14.00	3
3041091	24ABS336(A,G)50	CSRH*4212A**	58MV(B,C)060-14	33800	12.00	14.00	3
3041092	24ABS336(A,G)50	CSRH*4212A**	58MV(B,C)080-14	33800	12.00	14.00	3
3041093	24ABS336(A,G)50	CSRH*4212A**	58MV(B,C)080-20	33800	12.00	14.00	3
3041094	24ABS336(A,G)50	CSRH*4212A**	58MV(B,C)100-20	34000	12.00	14.00	3
3041095	24ABS336(A,G)50	CSRH*4212A**	58MV(B,C)120-20	34000	12.00	14.00	3
3041016	24ABS336(A,G)50	CSRH*4212A**	58PH*045-08	34800	11.50	13.20	3
3041017	24ABS336(A,G)50	CSRH*4212A**	58PH*070-16	35000	11.70	13.50	3
3041018	24ABS336(A,G)50	CSRH*4212A**	58PH*090-16	35200	12.00	14.00	3
3041019	24ABS336(A,G)50	CSRH*4212A**	58PH*110-20	35400	12.00	14.00	3
3041089	24ABS336(A,G)50	CSRH*4212A**+TDR		34200	11.20	13.00	3
3041101	24ABS336(A,G)50	FA4CN(F,C)036		33800	11.00	13.00	3
3041102	24ABS336(A,G)50	FA4CN(F,C)042		34600	11.20	13.00	3
3041103	24ABS336(A,G)50	FC4DN(F,B)036		34600	11.70	13.50	3
3041104	24ABS336(A,G)50	FC4DN(F,B)042		35400	11.70	13.50	3
3041105	24ABS336(A,G)50	FF1ENE036		34400	11.20	13.00	3
3041108	24ABS336(A,G)50	FK4DN(B,F)003		34400	12.00	14.00	3
3041109	24ABS336(A,G)50	FK4DN(B,F)005		35800	12.00	14.00	3
3041110	24ABS336(A,G)50	FK4DNB006		36200	12.00	14.00	3
3041106	24ABS336(A,G)50	FK4DNF001		33800	11.70	13.50	3
3041107	24ABS336(A,G)50	FK4DNF002		34200	11.70	13.50	3
3041111	24ABS336(A,G)60	†CAR**3617A**+TDR		33800	11.20	13.00	3
3041140	24ABS336(A,G)60	CAR**3614A**	58CV(A,X)070-12	33000	11.70	13.50	3
3041112	24ABS336(A,G)60	CAR**3614A**	58PH*045-08	33400	11.20	13.20	3
3041139	24ABS336(A,G)60	CAR**3614A**+TDR		33000	11.20	13.00	3
3041142	24ABS336(A,G)60	CAR**3617A**	58CV(A,X)090-16	33600	12.00	14.00	3
3124670	24ABS336(A,G)60	CAR**3617A**	58MEB040-12	34400	12.00	14.00	3
3124671	24ABS336(A,G)60	CAR**3617A**	58MEB060-12	34400	12.00	14.00	3
3124672	24ABS336(A,G)60	CAR**3617A**	58MEB080-12	34400	12.00	14.00	3
3124673	24ABS336(A,G)60	CAR**3617A**	58MEB080-16	34400	12.00	14.00	3
3041141	24ABS336(A,G)60	CAR**3617A**	58MV(B,C)060-14	33800	11.70	13.50	3

See notes on pg. 32

COMBINATION RATINGS CONTINUED

ARI Ref. No.	Model Number	Indoor Model	Furnace Model	Capacity	EER	SEER	Phase
3041113	24ABS336(A,G)60	CAR**3617A**	58PH*070-16	34600	11.70	13.50	3
3041147	24ABS336(A,G)60	CAR**3621A**	58CV(A,X)110-20	33600	12.00	14.00	3
3124674	24ABS336(A,G)60	CAR**3621A**	58MEB100-20	34400	12.00	14.00	3
3041144	24ABS336(A,G)60	CAR**3621A**	58MV(B,C)080-14	33600	11.70	13.50	3
3041145	24ABS336(A,G)60	CAR**3621A**	58MV(B,C)080-20	33600	12.00	14.00	3
3041146	24ABS336(A,G)60	CAR**3621A**	58MV(B,C)100-20	33800	12.00	14.00	3
3041114	24ABS336(A,G)60	CAR**3621A**	58PH*090-16	35000	12.00	14.00	3
3041115	24ABS336(A,G)60	CAR**3621A**	58PH*110-20	35200	12.00	14.00	3
3041143	24ABS336(A,G)60	CAR**3621A**+TDR		33800	11.20	13.00	3
3041152	24ABS336(A,G)60	CAR**4221A**	58CV(A,X)110-20	34000	12.00	14.00	3
3124675	24ABS336(A,G)60	CAR**4221A**	58MEB100-20	34400	12.00	14.00	3
3041149	24ABS336(A,G)60	CAR**4221A**	58MV(B,C)080-14	34000	12.00	14.00	3
3041150	24ABS336(A,G)60	CAR**4221A**	58MV(B,C)080-20	33800	12.00	14.00	3
3041151	24ABS336(A,G)60	CAR**4221A**	58MV(B,C)100-20	34000	12.00	14.00	3
3041116	24ABS336(A,G)60	CAR**4221A**	58PH*090-16	35200	12.00	14.00	3
3041117	24ABS336(A,G)60	CAR**4221A**	58PH*110-20	35400	12.00	14.00	3
3041148	24ABS336(A,G)60	CAR**4221A**+TDR		34200	11.20	13.00	3
3041156	24ABS336(A,G)60	CAR**4224A**	58CV(A,X)135-22	34000	12.00	14.00	3
3041157	24ABS336(A,G)60	CAR**4224A**	58CV(A,X)155-22	34000	12.00	14.00	3
3041154	24ABS336(A,G)60	CAR**4224A**	58MV(B,C)040-14	33800	11.70	13.50	3
3041155	24ABS336(A,G)60	CAR**4224A**	58MV(B,C)120-20	34000	12.00	14.00	3
3041153	24ABS336(A,G)60	CAR**4224A**+TDR		34200	11.20	13.00	3
3041195	24ABS336(A,G)60	CNRH*3618A**+TDR		33800	11.20	13.00	3
3041178	24ABS336(A,G)60	CNRH*3617A**	58CV(A,X)070-12	33600	11.70	13.50	3
3041179	24ABS336(A,G)60	CNRH*3617A**	58CV(A,X)090-16	33600	11.70	13.50	3
3041180	24ABS336(A,G)60	CNRH*3617A**	58CV(A,X)110-20	33600	11.70	13.50	3
3041181	24ABS336(A,G)60	CNRH*3617A**	58CV(A,X)135-22	33600	12.00	14.00	3
3041182	24ABS336(A,G)60	CNRH*3617A**	58CV(A,X)155-22	33600	12.00	14.00	3
3124682	24ABS336(A,G)60	CNRH*3617A**	58MEB040-12	34400	12.00	14.00	3
3124683	24ABS336(A,G)60	CNRH*3617A**	58MEB060-12	34400	12.00	14.00	3
3124684	24ABS336(A,G)60	CNRH*3617A**	58MEB080-12	34400	12.00	14.00	3
3124685	24ABS336(A,G)60	CNRH*3617A**	58MEB080-16	34400	12.00	14.00	3
3124686	24ABS336(A,G)60	CNRH*3617A**	58MEB100-20	34400	12.00	14.00	3
3041172	24ABS336(A,G)60	CNRH*3617A**	58MV(B,C)040-14	33600	11.70	13.50	3
3041173	24ABS336(A,G)60	CNRH*3617A**	58MV(B,C)060-14	33600	11.70	13.50	3
3041174	24ABS336(A,G)60	CNRH*3617A**	58MV(B,C)080-14	33600	11.70	13.50	3
3041175	24ABS336(A,G)60	CNRH*3617A**	58MV(B,C)080-20	33600	11.70	13.50	3
3041176	24ABS336(A,G)60	CNRH*3617A**	58MV(B,C)100-20	33600	11.70	13.50	3
3041177	24ABS336(A,G)60	CNRH*3617A**	58MV(B,C)120-20	33600	11.70	13.50	3
3041123	24ABS336(A,G)60	CNRH*3617A**	58PH*045-08	34400	11.20	13.20	3
3041124	24ABS336(A,G)60	CNRH*3617A**	58PH*070-16	34400	11.70	13.50	3
3041125	24ABS336(A,G)60	CNRH*3617A**	58PH*090-16	34600	12.00	14.00	3
3041126	24ABS336(A,G)60	CNRH*3617A**	58PH*110-20	34800	12.00	14.00	3
3041171	24ABS336(A,G)60	CNRH*3617A**+TDR		33800	11.20	13.00	3
3041190	24ABS336(A,G)60	CNRH*4221A**	58CV(A,X)070-12	33800	11.70	13.50	3
3041191	24ABS336(A,G)60	CNRH*4221A**	58CV(A,X)090-16	34000	12.00	14.00	3
3041192	24ABS336(A,G)60	CNRH*4221A**	58CV(A,X)110-20	34000	12.00	14.00	3
3041193	24ABS336(A,G)60	CNRH*4221A**	58CV(A,X)135-22	34000	12.00	14.00	3
3041194	24ABS336(A,G)60	CNRH*4221A**	58CV(A,X)155-22	34000	12.00	14.00	3
3124687	24ABS336(A,G)60	CNRH*4221A**	58MEB040-12	34400	12.00	14.00	3
3124688	24ABS336(A,G)60	CNRH*4221A**	58MEB060-12	34400	12.00	14.00	3
3124689	24ABS336(A,G)60	CNRH*4221A**	58MEB080-12	34400	12.00	14.00	3
3124690	24ABS336(A,G)60	CNRH*4221A**	58MEB080-16	34400	12.00	14.00	3
3124691	24ABS336(A,G)60	CNRH*4221A**	58MEB100-20	34400	12.00	14.00	3
3041184	24ABS336(A,G)60	CNRH*4221A**	58MV(B,C)040-14	33800	11.70	13.50	3
3041185	24ABS336(A,G)60	CNRH*4221A**	58MV(B,C)060-14	34000	12.00	14.00	3
3041186	24ABS336(A,G)60	CNRH*4221A**	58MV(B,C)080-14	33800	11.70	13.50	3
3041187	24ABS336(A,G)60	CNRH*4221A**	58MV(B,C)080-20	33800	12.00	14.00	3
3041188	24ABS336(A,G)60	CNRH*4221A**	58MV(B,C)100-20	34000	12.00	14.00	3
3041189	24ABS336(A,G)60	CNRH*4221A**	58MV(B,C)120-20	34000	12.00	14.00	3
3041127	24ABS336(A,G)60	CNRH*4221A**	58PH*045-08	34800	11.50	13.20	3
3041128	24ABS336(A,G)60	CNRH*4221A**	58PH*070-16	35000	11.70	13.50	3
3041129	24ABS336(A,G)60	CNRH*4221A**	58PH*090-16	35200	12.00	14.00	3
3041130	24ABS336(A,G)60	CNRH*4221A**	58PH*110-20	35400	12.00	14.00	3
3041183	24ABS336(A,G)60	CNRH*4221A**+TDR		34200	11.20	13.00	3
3041160	24ABS336(A,G)60	CNRV*3617A**	58CV(A,X)090-16	33600	11.70	13.50	3
3124676	24ABS336(A,G)60	CNRV*3617A**	58MEB040-12	34400	12.00	14.00	3
3124677	24ABS336(A,G)60	CNRV*3617A**	58MEB060-12	34400	12.00	14.00	3
3124678	24ABS336(A,G)60	CNRV*3617A**	58MEB080-12	34400	12.00	14.00	3
3124679	24ABS336(A,G)60	CNRV*3617A**	58MEB080-16	34400	12.00	14.00	3
3041159	24ABS336(A,G)60	CNRV*3617A**	58MV(B,C)060-14	33600	11.70	13.50	3
3041118	24ABS336(A,G)60	CNRV*3617A**	58PH*070-16	34400	11.70	13.50	3
3041158	24ABS336(A,G)60	CNRV*3617A**+TDR		33800	11.20	13.00	3

24ABS3

See notes on pg. 32

COMBINATION RATINGS CONTINUED

24ABS3

ARI Ref. No.	Model Number	Indoor Model	Furnace Model	Capacity	EER	SEER	Phase
3041165	24ABS336(A,G)60	CNRV*3621A**	58CV(A,X)110-20	33600	11.70	13.50	3
3124680	24ABS336(A,G)60	CNRV*3621A**	58MEB100-20	34400	12.00	14.00	3
3041162	24ABS336(A,G)60	CNRV*3621A**	58MV(B,C)080-14	33600	11.70	13.50	3
3041163	24ABS336(A,G)60	CNRV*3621A**	58MV(B,C)080-20	33600	11.70	13.50	3
3041164	24ABS336(A,G)60	CNRV*3621A**	58MV(B,C)100-20	33600	11.70	13.50	3
3041119	24ABS336(A,G)60	CNRV*3621A**	58PH*090-16	34600	12.00	14.00	3
3041120	24ABS336(A,G)60	CNRV*3621A**	58PH*110-20	34800	12.00	14.00	3
3041161	24ABS336(A,G)60	CNRV*3621A**+TDR		33800	11.20	13.00	3
3041170	24ABS336(A,G)60	CNRV*4221A**	58CV(A,X)110-20	34000	12.00	14.00	3
3124681	24ABS336(A,G)60	CNRV*4221A**	58MEB100-20	34400	12.00	14.00	3
3041167	24ABS336(A,G)60	CNRV*4221A**	58MV(B,C)080-14	33800	11.70	13.50	3
3041168	24ABS336(A,G)60	CNRV*4221A**	58MV(B,C)080-20	33800	12.00	14.00	3
3041169	24ABS336(A,G)60	CNRV*4221A**	58MV(B,C)100-20	34000	12.00	14.00	3
3041121	24ABS336(A,G)60	CNRV*4221A**	58PH*090-16	35200	12.00	14.00	3
3041122	24ABS336(A,G)60	CNRV*4221A**	58PH*110-20	35400	12.00	14.00	3
3041166	24ABS336(A,G)60	CNRV*4221A**+TDR		34200	11.20	13.00	3
3041203	24ABS336(A,G)60	CSRH*3612A**	58CV(A,X)070-12	33600	12.00	14.00	3
3041204	24ABS336(A,G)60	CSRH*3612A**	58CV(A,X)090-16	33600	12.00	14.00	3
3041205	24ABS336(A,G)60	CSRH*3612A**	58CV(A,X)110-20	33600	12.00	14.00	3
3041206	24ABS336(A,G)60	CSRH*3612A**	58CV(A,X)135-22	33600	12.00	14.00	3
3041207	24ABS336(A,G)60	CSRH*3612A**	58CV(A,X)155-22	33600	12.00	14.00	3
3124692	24ABS336(A,G)60	CSRH*3612A**	58MEB040-12	34400	12.00	14.00	3
3124693	24ABS336(A,G)60	CSRH*3612A**	58MEB060-12	34400	12.00	14.00	3
3124694	24ABS336(A,G)60	CSRH*3612A**	58MEB080-12	34400	12.00	14.00	3
3124695	24ABS336(A,G)60	CSRH*3612A**	58MEB080-16	34400	12.00	14.00	3
3124696	24ABS336(A,G)60	CSRH*3612A**	58MEB100-20	34400	12.00	14.00	3
3041197	24ABS336(A,G)60	CSRH*3612A**	58MV(B,C)040-14	33600	12.00	14.00	3
3041198	24ABS336(A,G)60	CSRH*3612A**	58MV(B,C)060-14	33600	12.00	14.00	3
3041199	24ABS336(A,G)60	CSRH*3612A**	58MV(B,C)080-14	33600	12.00	14.00	3
3041200	24ABS336(A,G)60	CSRH*3612A**	58MV(B,C)080-20	33800	12.00	14.00	3
3041201	24ABS336(A,G)60	CSRH*3612A**	58MV(B,C)100-20	33600	12.00	14.00	3
3041202	24ABS336(A,G)60	CSRH*3612A**	58MV(B,C)120-20	33600	12.00	14.00	3
3041131	24ABS336(A,G)60	CSRH*3612A**	58PH*045-08	34400	11.20	13.20	3
3041132	24ABS336(A,G)60	CSRH*3612A**	58PH*070-16	34400	11.70	13.50	3
3041133	24ABS336(A,G)60	CSRH*3612A**	58PH*090-16	34600	12.00	14.00	3
3041134	24ABS336(A,G)60	CSRH*3612A**	58PH*110-20	34800	12.00	14.00	3
3041196	24ABS336(A,G)60	CSRH*3612A**+TDR		33800	11.20	13.00	3
3041215	24ABS336(A,G)60	CSRH*4212A**	58CV(A,X)070-12	33800	12.00	14.00	3
3041216	24ABS336(A,G)60	CSRH*4212A**	58CV(A,X)090-16	34000	12.00	14.00	3
3041217	24ABS336(A,G)60	CSRH*4212A**	58CV(A,X)110-20	34000	12.00	14.00	3
3041218	24ABS336(A,G)60	CSRH*4212A**	58CV(A,X)135-22	34000	12.00	14.00	3
3041219	24ABS336(A,G)60	CSRH*4212A**	58CV(A,X)155-22	34000	12.00	14.00	3
3124697	24ABS336(A,G)60	CSRH*4212A**	58MEB040-12	34400	12.00	14.00	3
3124698	24ABS336(A,G)60	CSRH*4212A**	58MEB060-12	34400	12.00	14.00	3
3124699	24ABS336(A,G)60	CSRH*4212A**	58MEB080-12	34400	12.00	14.00	3
3124700	24ABS336(A,G)60	CSRH*4212A**	58MEB080-16	34400	12.00	14.00	3
3124701	24ABS336(A,G)60	CSRH*4212A**	58MEB100-20	34400	12.00	14.00	3
3041209	24ABS336(A,G)60	CSRH*4212A**	58MV(B,C)040-14	33800	12.00	14.00	3
3041210	24ABS336(A,G)60	CSRH*4212A**	58MV(B,C)060-14	33800	12.00	14.00	3
3041211	24ABS336(A,G)60	CSRH*4212A**	58MV(B,C)080-14	33800	12.00	14.00	3
3041212	24ABS336(A,G)60	CSRH*4212A**	58MV(B,C)080-20	33800	12.00	14.00	3
3041213	24ABS336(A,G)60	CSRH*4212A**	58MV(B,C)100-20	34000	12.00	14.00	3
3041214	24ABS336(A,G)60	CSRH*4212A**	58MV(B,C)120-20	34000	12.00	14.00	3
3041135	24ABS336(A,G)60	CSRH*4212A**	58PH*045-08	34800	11.50	13.20	3
3041136	24ABS336(A,G)60	CSRH*4212A**	58PH*070-16	35000	11.70	13.50	3
3041137	24ABS336(A,G)60	CSRH*4212A**	58PH*090-16	35200	12.00	14.00	3
3041138	24ABS336(A,G)60	CSRH*4212A**	58PH*110-20	35400	12.00	14.00	3
3041208	24ABS336(A,G)60	CSRH*4212A**+TDR		34200	11.20	13.00	3
3041220	24ABS336(A,G)60	FA4CN(F,C)036		33800	11.00	13.00	3
3041221	24ABS336(A,G)60	FA4CN(F,C)042		34600	11.20	13.00	3
3041222	24ABS336(A,G)60	FC4DN(F,B)036		34600	11.70	13.50	3
3041223	24ABS336(A,G)60	FC4DN(F,B)042		35400	11.70	13.50	3
3041224	24ABS336(A,G)60	FF1ENE036		34400	11.20	13.00	3
3041227	24ABS336(A,G)60	FK4DN(B,F)003		34400	12.00	14.00	3
3041228	24ABS336(A,G)60	FK4DN(B,F)005		35800	12.00	14.00	3
3041229	24ABS336(A,G)60	FK4DNB006		36200	12.00	14.00	3
3041225	24ABS336(A,G)60	FK4DNF001		33800	11.70	13.50	3
3041226	24ABS336(A,G)60	FK4DNF002		34200	11.70	13.50	3
3044351	24ABS336A10	†CAR**3617A**+TDR		33800	11.20	13.00	3
3044380	24ABS336A10	CAR**3614A**	58CV(A,X)070-12	33000	11.70	13.50	3
3044352	24ABS336A10	CAR**3614A**	58PH*045-08	33400	11.20	13.20	3
3044379	24ABS336A10	CAR**3614A**+TDR		33000	11.20	13.00	3

See notes on pg. 32

COMBINATION RATINGS CONTINUED

ARI Ref. No.	Model Number	Indoor Model	Furnace Model	Capacity	EER	SEER	Phase
3044382	24ABS336A10	CAR**3617A**	58CV(A,X)090-16	33600	12.00	14.00	3
3044381	24ABS336A10	CAR**3617A**	58MV(B,C)060-14	33800	11.70	13.50	3
3044353	24ABS336A10	CAR**3617A**	58PH*070-16	34600	11.70	13.50	3
3044386	24ABS336A10	CAR**3621A**	58CV(A,X)110-20	33600	12.00	14.00	3
3044383	24ABS336A10	CAR**3621A**	58MV(B,C)080-14	33600	11.70	13.50	3
3044384	24ABS336A10	CAR**3621A**	58MV(B,C)080-20	33600	12.00	14.00	3
3044385	24ABS336A10	CAR**3621A**	58MV(B,C)100-20	33800	12.00	14.00	3
3044354	24ABS336A10	CAR**3621A**	58PH*090-16	35000	12.00	14.00	3
3044355	24ABS336A10	CAR**3621A**	58PH*110-20	35200	12.00	14.00	3
3044390	24ABS336A10	CAR**4221A**	58CV(A,X)110-20	34000	12.00	14.00	3
3044387	24ABS336A10	CAR**4221A**	58MV(B,C)080-14	34000	12.00	14.00	3
3044388	24ABS336A10	CAR**4221A**	58MV(B,C)080-20	33800	12.00	14.00	3
3044389	24ABS336A10	CAR**4221A**	58MV(B,C)100-20	34000	12.00	14.00	3
3044356	24ABS336A10	CAR**4221A**	58PH*090-16	35200	12.00	14.00	3
3044357	24ABS336A10	CAR**4221A**	58PH*110-20	35400	12.00	14.00	3
3044394	24ABS336A10	CAR**4224A**	58CV(A,X)135-22	34000	12.00	14.00	3
3044395	24ABS336A10	CAR**4224A**	58CV(A,X)155-22	34000	12.00	14.00	3
3044392	24ABS336A10	CAR**4224A**	58MV(B,C)040-14	33800	11.70	13.50	3
3044393	24ABS336A10	CAR**4224A**	58MV(B,C)120-20	34000	12.00	14.00	3
3044391	24ABS336A10	CAR**4224A**+TDR		34200	11.20	13.00	3
3044433	24ABS336A10	CNRH*3618A**+TDR		33800	11.20	13.00	3
3044416	24ABS336A10	CNRH*3617A**	58CV(A,X)070-12	33600	11.70	13.50	3
3044417	24ABS336A10	CNRH*3617A**	58CV(A,X)090-16	33600	11.70	13.50	3
3044418	24ABS336A10	CNRH*3617A**	58CV(A,X)110-20	33600	11.70	13.50	3
3044419	24ABS336A10	CNRH*3617A**	58CV(A,X)135-22	33600	12.00	14.00	3
3044420	24ABS336A10	CNRH*3617A**	58CV(A,X)155-22	33600	12.00	14.00	3
3044410	24ABS336A10	CNRH*3617A**	58MV(B,C)040-14	33600	11.70	13.50	3
3044411	24ABS336A10	CNRH*3617A**	58MV(B,C)060-14	33600	11.70	13.50	3
3044412	24ABS336A10	CNRH*3617A**	58MV(B,C)080-14	33600	11.70	13.50	3
3044413	24ABS336A10	CNRH*3617A**	58MV(B,C)080-20	33600	11.70	13.50	3
3044414	24ABS336A10	CNRH*3617A**	58MV(B,C)100-20	33600	11.70	13.50	3
3044415	24ABS336A10	CNRH*3617A**	58MV(B,C)120-20	33600	11.70	13.50	3
3044363	24ABS336A10	CNRH*3617A**	58PH*045-08	34400	11.20	13.20	3
3044364	24ABS336A10	CNRH*3617A**	58PH*070-16	34400	11.70	13.50	3
3044365	24ABS336A10	CNRH*3617A**	58PH*090-16	34600	12.00	14.00	3
3044366	24ABS336A10	CNRH*3617A**	58PH*110-20	34800	12.00	14.00	3
3044409	24ABS336A10	CNRH*3617A**+TDR		33800	11.20	13.00	3
3044428	24ABS336A10	CNRH*4221A**	58CV(A,X)070-12	33800	11.70	13.50	3
3044429	24ABS336A10	CNRH*4221A**	58CV(A,X)090-16	34000	12.00	14.00	3
3044430	24ABS336A10	CNRH*4221A**	58CV(A,X)110-20	34000	12.00	14.00	3
3044431	24ABS336A10	CNRH*4221A**	58CV(A,X)135-22	34000	12.00	14.00	3
3044432	24ABS336A10	CNRH*4221A**	58CV(A,X)155-22	34000	12.00	14.00	3
3044422	24ABS336A10	CNRH*4221A**	58MV(B,C)040-14	33800	11.70	13.50	3
3044423	24ABS336A10	CNRH*4221A**	58MV(B,C)060-14	34000	12.00	14.00	3
3044424	24ABS336A10	CNRH*4221A**	58MV(B,C)080-14	33800	11.70	13.50	3
3044425	24ABS336A10	CNRH*4221A**	58MV(B,C)080-20	33800	12.00	14.00	3
3044426	24ABS336A10	CNRH*4221A**	58MV(B,C)100-20	34000	12.00	14.00	3
3044427	24ABS336A10	CNRH*4221A**	58MV(B,C)120-20	34000	12.00	14.00	3
3044367	24ABS336A10	CNRH*4221A**	58PH*045-08	34800	11.50	13.20	3
3044368	24ABS336A10	CNRH*4221A**	58PH*070-16	35000	11.70	13.50	3
3044369	24ABS336A10	CNRH*4221A**	58PH*090-16	35200	12.00	14.00	3
3044370	24ABS336A10	CNRH*4221A**	58PH*110-20	35400	12.00	14.00	3
3044421	24ABS336A10	CNRH*4221A**+TDR		34200	11.20	13.00	3
3044398	24ABS336A10	CNRV*3617A**	58CV(A,X)090-16	33600	11.70	13.50	3
3044397	24ABS336A10	CNRV*3617A**	58MV(B,C)060-14	33600	11.70	13.50	3
3044358	24ABS336A10	CNRV*3617A**	58PH*070-16	34400	11.70	13.50	3
3044396	24ABS336A10	CNRV*3617A**+TDR		33800	11.20	13.00	3
3044403	24ABS336A10	CNRV*3621A**	58CV(A,X)110-20	33600	11.70	13.50	3
3044400	24ABS336A10	CNRV*3621A**	58MV(B,C)080-14	33600	11.70	13.50	3
3044401	24ABS336A10	CNRV*3621A**	58MV(B,C)080-20	33600	11.70	13.50	3
3044402	24ABS336A10	CNRV*3621A**	58MV(B,C)100-20	33600	11.70	13.50	3
3044359	24ABS336A10	CNRV*3621A**	58PH*090-16	34600	12.00	14.00	3
3044360	24ABS336A10	CNRV*3621A**	58PH*110-20	34800	12.00	14.00	3
3044399	24ABS336A10	CNRV*3621A**+TDR		33800	11.20	13.00	3
3044408	24ABS336A10	CNRV*4221A**	58CV(A,X)110-20	34000	12.00	14.00	3
3044405	24ABS336A10	CNRV*4221A**	58MV(B,C)080-14	33800	11.70	13.50	3
3044406	24ABS336A10	CNRV*4221A**	58MV(B,C)080-20	33800	12.00	14.00	3
3044407	24ABS336A10	CNRV*4221A**	58MV(B,C)100-20	34000	12.00	14.00	3
3044361	24ABS336A10	CNRV*4221A**	58PH*090-16	35200	12.00	14.00	3
3044362	24ABS336A10	CNRV*4221A**	58PH*110-20	35400	12.00	14.00	3
3044404	24ABS336A10	CNRV*4221A**+TDR		34200	11.20	13.00	3
3044441	24ABS336A10	CSRH*3612A**	58CV(A,X)070-12	33600	12.00	14.00	3
3044442	24ABS336A10	CSRH*3612A**	58CV(A,X)090-16	33600	12.00	14.00	3

24ABS3

See notes on pg. 32

COMBINATION RATINGS CONTINUED

ARI Ref. No.	Model Number	Indoor Model	Furnace Model	Capacity	EER	SEER	Phase
3044443	24ABS336A10	CSRH*3612A**	58CV(A,X)110-20	33600	12.00	14.00	3
3044444	24ABS336A10	CSRH*3612A**	58CV(A,X)135-22	33600	12.00	14.00	3
3044445	24ABS336A10	CSRH*3612A**	58CV(A,X)155-22	33600	12.00	14.00	3
3044435	24ABS336A10	CSRH*3612A**	58MV(B,C)040-14	33600	12.00	14.00	3
3044436	24ABS336A10	CSRH*3612A**	58MV(B,C)060-14	33600	12.00	14.00	3
3044437	24ABS336A10	CSRH*3612A**	58MV(B,C)080-14	33600	12.00	14.00	3
3044438	24ABS336A10	CSRH*3612A**	58MV(B,C)080-20	33800	12.00	14.00	3
3044439	24ABS336A10	CSRH*3612A**	58MV(B,C)100-20	33600	12.00	14.00	3
3044440	24ABS336A10	CSRH*3612A**	58MV(B,C)120-20	33600	12.00	14.00	3
3044371	24ABS336A10	CSRH*3612A**	58PH*045-08	34400	11.20	13.20	3
3044372	24ABS336A10	CSRH*3612A**	58PH*070-16	34400	11.70	13.50	3
3044373	24ABS336A10	CSRH*3612A**	58PH*090-16	34600	12.00	14.00	3
3044374	24ABS336A10	CSRH*3612A**	58PH*110-20	34800	12.00	14.00	3
3044434	24ABS336A10	CSRH*3612A**+TDR		33800	11.20	13.00	3
3044453	24ABS336A10	CSRH*4212A**	58CV(A,X)070-12	33800	12.00	14.00	3
3044454	24ABS336A10	CSRH*4212A**	58CV(A,X)090-16	34000	12.00	14.00	3
3044455	24ABS336A10	CSRH*4212A**	58CV(A,X)110-20	34000	12.00	14.00	3
3044456	24ABS336A10	CSRH*4212A**	58CV(A,X)135-22	34000	12.00	14.00	3
3044457	24ABS336A10	CSRH*4212A**	58CV(A,X)155-22	34000	12.00	14.00	3
3044447	24ABS336A10	CSRH*4212A**	58MV(B,C)040-14	33800	12.00	14.00	3
3044448	24ABS336A10	CSRH*4212A**	58MV(B,C)060-14	33800	12.00	14.00	3
3044449	24ABS336A10	CSRH*4212A**	58MV(B,C)080-14	33800	12.00	14.00	3
3044450	24ABS336A10	CSRH*4212A**	58MV(B,C)080-20	33800	12.00	14.00	3
3044451	24ABS336A10	CSRH*4212A**	58MV(B,C)100-20	34000	12.00	14.00	3
3044452	24ABS336A10	CSRH*4212A**	58MV(B,C)120-20	34000	12.00	14.00	3
3044375	24ABS336A10	CSRH*4212A**	58PH*045-08	34800	11.50	13.20	3
3044376	24ABS336A10	CSRH*4212A**	58PH*070-16	35000	11.70	13.50	3
3044377	24ABS336A10	CSRH*4212A**	58PH*090-16	35200	12.00	14.00	3
3044378	24ABS336A10	CSRH*4212A**	58PH*110-20	35400	12.00	14.00	3
3044446	24ABS336A10	CSRH*4212A**+TDR		34200	11.20	13.00	3
3044458	24ABS336A10	FA4CN(F,C)036		33800	11.00	13.00	3
3044459	24ABS336A10	FA4CN(F,C)042		34600	11.20	13.00	3
3044460	24ABS336A10	FC4DN(F,B)036		34600	11.70	13.50	3
3044461	24ABS336A10	FC4DN(F,B)042		35400	11.70	13.50	3
3044462	24ABS336A10	FF1ENE036		34400	11.20	13.00	3
3044465	24ABS336A10	FK4DN(B,F)003		34400	12.00	14.00	3
3044466	24ABS336A10	FK4DN(B,F)005		35800	12.00	14.00	3
3044467	24ABS336A10	FK4DNB006		36200	12.00	14.00	3
3044463	24ABS336A10	FK4DNF001		33800	11.70	13.50	3
3044464	24ABS336A10	FK4DNF002		34200	11.70	13.50	3
3039779	24ABS342(A,G)30	†CAR**4221A**+TDR		40500	11.00	13.00	1
3039811	24ABS342(A,G)30	CAR**4221A**	58CV(A,X)110-20	40500	11.20	13.50	1
3113372	24ABS342(A,G)30	CAR**4221A**	58MEB100-20	40000	11.70	13.50	1
3039808	24ABS342(A,G)30	CAR**4221A**	58MV(B,C)080-14	40000	11.20	13.50	1
3039809	24ABS342(A,G)30	CAR**4221A**	58MV(B,C)080-20	40000	11.20	13.50	1
3039810	24ABS342(A,G)30	CAR**4221A**	58MV(B,C)100-20	40000	11.20	13.50	1
3039780	24ABS342(A,G)30	CAR**4221A**	58PH*090-16	40000	11.70	13.50	1
3039781	24ABS342(A,G)30	CAR**4221A**	58PH*110-20	40000	11.70	14.00	1
3039815	24ABS342(A,G)30	CAR**4224A**	58CV(A,X)135-22	40500	11.50	14.00	1
3039816	24ABS342(A,G)30	CAR**4224A**	58CV(A,X)155-22	40500	11.50	14.00	1
3113373	24ABS342(A,G)30	CAR**4224A**	58MEB120-20	40500	12.00	14.00	1
3039813	24ABS342(A,G)30	CAR**4224A**	58MV(B,C)040-14	40000	11.20	13.50	1
3039814	24ABS342(A,G)30	CAR**4224A**	58MV(B,C)120-20	40000	11.20	13.50	1
3039782	24ABS342(A,G)30	CAR**4224A**	58PH*135-20	40000	11.70	14.00	1
3039812	24ABS342(A,G)30	CAR**4224A**+TDR		40500	11.00	13.00	1
3039819	24ABS342(A,G)30	CAR**4817A**	58CV(A,X)090-16	40000	11.50	14.00	1
3113374	24ABS342(A,G)30	CAR**4817A**	58MEB040-12	40500	11.70	13.50	1
3113375	24ABS342(A,G)30	CAR**4817A**	58MEB060-12	40500	11.70	13.50	1
3113376	24ABS342(A,G)30	CAR**4817A**	58MEB080-12	40500	11.70	13.50	1
3113377	24ABS342(A,G)30	CAR**4817A**	58MEB080-16	40500	11.70	13.50	1
3039818	24ABS342(A,G)30	CAR**4817A**	58MV(B,C)060-14	40000	11.20	13.50	1
3039783	24ABS342(A,G)30	CAR**4817A**	58PH*070-16	39500	11.50	13.20	1
3039817	24ABS342(A,G)30	CAR**4817A**+TDR		40500	11.00	13.00	1
3039824	24ABS342(A,G)30	CAR**4821A**	58CV(A,X)110-20	41000	11.50	14.00	1
3113378	24ABS342(A,G)30	CAR**4821A**	58MEB100-20	40500	12.00	14.00	1
3039821	24ABS342(A,G)30	CAR**4821A**	58MV(B,C)080-14	40500	11.20	13.50	1
3039822	24ABS342(A,G)30	CAR**4821A**	58MV(B,C)080-20	41000	11.20	13.50	1
3039823	24ABS342(A,G)30	CAR**4821A**	58MV(B,C)100-20	41000	11.50	14.00	1
3039784	24ABS342(A,G)30	CAR**4821A**	58PH*090-16	40500	12.00	14.00	1
3039785	24ABS342(A,G)30	CAR**4821A**	58PH*110-20	40500	12.00	14.00	1
3039820	24ABS342(A,G)30	CAR**4821A**+TDR		41500	11.00	13.00	1
3039828	24ABS342(A,G)30	CAR**4824A**	58CV(A,X)135-22	41000	11.50	14.00	1

See notes on pg. 32

COMBINATION RATINGS CONTINUED

ARI Ref. No.	Model Number	Indoor Model	Furnace Model	Capacity	EER	SEER	Phase
3039829	24ABS342(A,G)30	CAR**4824A**	58CV(A,X)155-22	41000	11.50	14.00	1
3113379	24ABS342(A,G)30	CAR**4824A**	58MEB120-20	40500	12.00	14.00	1
3039826	24ABS342(A,G)30	CAR**4824A**	58MV(B,C)040-14	40500	11.20	13.50	1
3039827	24ABS342(A,G)30	CAR**4824A**	58MV(B,C)120-20	41000	11.50	14.00	1
3039786	24ABS342(A,G)30	CAR**4824A**	58PH*135-20	40500	12.00	14.00	1
3039825	24ABS342(A,G)30	CAR**4824A**+TDR		41500	11.00	13.00	1
3039869	24ABS342(A,G)30	CNRF*4818A**+TDR		40500	11.00	13.00	1
3039852	24ABS342(A,G)30	CNRH*4221A**	58CV(A,X)070-12	40000	11.20	13.50	1
3039853	24ABS342(A,G)30	CNRH*4221A**	58CV(A,X)090-16	40000	11.50	14.00	1
3039854	24ABS342(A,G)30	CNRH*4221A**	58CV(A,X)110-20	40000	11.50	14.00	1
3039855	24ABS342(A,G)30	CNRH*4221A**	58CV(A,X)135-22	40000	11.50	14.00	1
3039856	24ABS342(A,G)30	CNRH*4221A**	58CV(A,X)155-22	40000	11.50	14.00	1
3113383	24ABS342(A,G)30	CNRH*4221A**	58MEB040-12	40500	11.70	13.50	1
3113384	24ABS342(A,G)30	CNRH*4221A**	58MEB060-12	40000	11.70	13.50	1
3113385	24ABS342(A,G)30	CNRH*4221A**	58MEB080-12	40000	11.70	13.50	1
3113386	24ABS342(A,G)30	CNRH*4221A**	58MEB080-16	40000	11.70	13.50	1
3113387	24ABS342(A,G)30	CNRH*4221A**	58MEB100-20	40000	11.70	13.50	1
3113388	24ABS342(A,G)30	CNRH*4221A**	58MEB120-20	40500	11.70	13.50	1
3039846	24ABS342(A,G)30	CNRH*4221A**	58MV(B,C)040-14	40000	11.20	13.50	1
3039847	24ABS342(A,G)30	CNRH*4221A**	58MV(B,C)060-14	40000	11.20	13.50	1
3039848	24ABS342(A,G)30	CNRH*4221A**	58MV(B,C)080-14	40000	11.20	13.50	1
3039849	24ABS342(A,G)30	CNRH*4221A**	58MV(B,C)080-20	40000	11.20	13.50	1
3039850	24ABS342(A,G)30	CNRH*4221A**	58MV(B,C)100-20	40000	11.50	14.00	1
3039851	24ABS342(A,G)30	CNRH*4221A**	58MV(B,C)120-20	40000	11.50	14.00	1
3039792	24ABS342(A,G)30	CNRH*4221A**	58PH*070-16	39500	11.20	13.00	1
3039793	24ABS342(A,G)30	CNRH*4221A**	58PH*090-16	40000	11.70	13.75	1
3039794	24ABS342(A,G)30	CNRH*4221A**	58PH*110-20	40000	11.70	14.00	1
3039795	24ABS342(A,G)30	CNRH*4221A**	58PH*135-20	40000	11.70	14.00	1
3039845	24ABS342(A,G)30	CNRH*4221A**+TDR		40500	11.00	13.00	1
3039864	24ABS342(A,G)30	CNRH*4821A**	58CV(A,X)070-12	41000	11.20	13.50	1
3039865	24ABS342(A,G)30	CNRH*4821A**	58CV(A,X)090-16	41000	11.50	14.00	1
3039866	24ABS342(A,G)30	CNRH*4821A**	58CV(A,X)110-20	41000	11.50	14.00	1
3039867	24ABS342(A,G)30	CNRH*4821A**	58CV(A,X)135-22	41000	11.50	14.00	1
3039868	24ABS342(A,G)30	CNRH*4821A**	58CV(A,X)155-22	41000	11.50	14.00	1
3113389	24ABS342(A,G)30	CNRH*4821A**	58MEB040-12	40500	11.70	13.50	1
3113390	24ABS342(A,G)30	CNRH*4821A**	58MEB060-12	40500	11.70	13.50	1
3113391	24ABS342(A,G)30	CNRH*4821A**	58MEB080-12	40500	11.70	13.50	1
3113392	24ABS342(A,G)30	CNRH*4821A**	58MEB080-16	40500	11.70	13.50	1
3113393	24ABS342(A,G)30	CNRH*4821A**	58MEB100-20	40500	12.00	14.00	1
3113394	24ABS342(A,G)30	CNRH*4821A**	58MEB120-20	40500	12.00	14.00	1
3039858	24ABS342(A,G)30	CNRH*4821A**	58MV(B,C)040-14	41000	11.20	13.50	1
3039859	24ABS342(A,G)30	CNRH*4821A**	58MV(B,C)060-14	41000	11.20	13.50	1
3039860	24ABS342(A,G)30	CNRH*4821A**	58MV(B,C)080-14	41000	11.20	13.50	1
3039861	24ABS342(A,G)30	CNRH*4821A**	58MV(B,C)080-20	41000	11.20	13.50	1
3039862	24ABS342(A,G)30	CNRH*4821A**	58MV(B,C)100-20	41000	11.50	14.00	1
3039863	24ABS342(A,G)30	CNRH*4821A**	58MV(B,C)120-20	41000	11.50	14.00	1
3039796	24ABS342(A,G)30	CNRH*4821A**	58PH*070-16	40500	11.50	13.20	1
3039797	24ABS342(A,G)30	CNRH*4821A**	58PH*090-16	40500	12.00	14.00	1
3039798	24ABS342(A,G)30	CNRH*4821A**	58PH*110-20	40500	12.00	14.00	1
3039799	24ABS342(A,G)30	CNRH*4821A**	58PH*135-20	40500	12.00	14.00	1
3039857	24ABS342(A,G)30	CNRH*4821A**+TDR		41500	11.00	13.00	1
3039834	24ABS342(A,G)30	CNRV*4221A**	58CV(A,X)110-20	40000	11.50	14.00	1
3113380	24ABS342(A,G)30	CNRV*4221A**	58MEB100-20	40000	11.70	13.50	1
3039831	24ABS342(A,G)30	CNRV*4221A**	58MV(B,C)080-14	40000	11.20	13.50	1
3039832	24ABS342(A,G)30	CNRV*4221A**	58MV(B,C)080-20	40000	11.20	13.50	1
3039833	24ABS342(A,G)30	CNRV*4221A**	58MV(B,C)100-20	40000	11.50	14.00	1
3039787	24ABS342(A,G)30	CNRV*4221A**	58PH*090-16	40000	11.70	13.50	1
3039788	24ABS342(A,G)30	CNRV*4221A**	58PH*110-20	40000	11.70	13.50	1
3039830	24ABS342(A,G)30	CNRV*4221A**+TDR		40500	11.00	13.00	1
3039839	24ABS342(A,G)30	CNRV*4821A**	58CV(A,X)110-20	41000	11.50	14.00	1
3113381	24ABS342(A,G)30	CNRV*4821A**	58MEB100-20	40500	12.00	14.00	1
3039836	24ABS342(A,G)30	CNRV*4821A**	58MV(B,C)080-14	41000	11.20	13.50	1
3039837	24ABS342(A,G)30	CNRV*4821A**	58MV(B,C)080-20	41000	11.20	13.50	1
3039838	24ABS342(A,G)30	CNRV*4821A**	58MV(B,C)100-20	41000	11.50	14.00	1
3039789	24ABS342(A,G)30	CNRV*4821A**	58PH*090-16	40500	12.00	14.00	1
3039790	24ABS342(A,G)30	CNRV*4821A**	58PH*110-20	40500	12.00	14.00	1
3039835	24ABS342(A,G)30	CNRV*4821A**+TDR		41500	11.00	13.00	1
3039843	24ABS342(A,G)30	CNRV*4824A**	58CV(A,X)135-22	41000	11.50	14.00	1
3039844	24ABS342(A,G)30	CNRV*4824A**	58CV(A,X)155-22	41000	11.50	14.00	1
3113382	24ABS342(A,G)30	CNRV*4824A**	58MEB120-20	40500	12.00	14.00	1
3039841	24ABS342(A,G)30	CNRV*4824A**	58MV(B,C)040-14	41000	11.20	13.50	1
3039842	24ABS342(A,G)30	CNRV*4824A**	58MV(B,C)120-20	41000	11.50	14.00	1
3039791	24ABS342(A,G)30	CNRV*4824A**	58PH*135-20	40500	12.00	14.00	1

24ABS3

See notes on pg. 32

COMBINATION RATINGS CONTINUED

24ABS3

ARI Ref. No.	Model Number	Indoor Model	Furnace Model	Capacity	EER	SEER	Phase
3039840	24ABS342(A,G)30	CNRV*4824A**+TDR		41500	11.00	13.00	1
3039877	24ABS342(A,G)30	CSRH*4212A**	58CV(A,X)070-12	40000	11.20	13.50	1
3039878	24ABS342(A,G)30	CSRH*4212A**	58CV(A,X)090-16	40000	11.50	14.00	1
3039879	24ABS342(A,G)30	CSRH*4212A**	58CV(A,X)110-20	40000	11.50	14.00	1
3039880	24ABS342(A,G)30	CSRH*4212A**	58CV(A,X)135-22	40000	11.50	14.00	1
3039881	24ABS342(A,G)30	CSRH*4212A**	58CV(A,X)155-22	40000	11.50	14.00	1
3113395	24ABS342(A,G)30	CSRH*4212A**	58MEB040-12	40500	11.70	13.50	1
3113396	24ABS342(A,G)30	CSRH*4212A**	58MEB060-12	40500	11.70	13.50	1
3113397	24ABS342(A,G)30	CSRH*4212A**	58MEB080-12	40500	11.70	13.50	1
3113398	24ABS342(A,G)30	CSRH*4212A**	58MEB080-16	40500	11.70	13.50	1
3113399	24ABS342(A,G)30	CSRH*4212A**	58MEB100-20	40500	12.00	14.00	1
3113400	24ABS342(A,G)30	CSRH*4212A**	58MEB120-20	40500	12.00	14.00	1
3039871	24ABS342(A,G)30	CSRH*4212A**	58MV(B,C)040-14	40000	11.20	13.50	1
3039872	24ABS342(A,G)30	CSRH*4212A**	58MV(B,C)060-14	40000	11.20	13.50	1
3039873	24ABS342(A,G)30	CSRH*4212A**	58MV(B,C)080-14	40000	11.20	13.50	1
3039874	24ABS342(A,G)30	CSRH*4212A**	58MV(B,C)080-20	40000	11.20	13.50	1
3039875	24ABS342(A,G)30	CSRH*4212A**	58MV(B,C)100-20	40000	11.50	14.00	1
3039876	24ABS342(A,G)30	CSRH*4212A**	58MV(B,C)120-20	40000	11.50	14.00	1
3039800	24ABS342(A,G)30	CSRH*4212A**	58PH*070-16	40000	11.50	13.20	1
3039801	24ABS342(A,G)30	CSRH*4212A**	58PH*090-16	40000	11.70	13.75	1
3039802	24ABS342(A,G)30	CSRH*4212A**	58PH*110-20	40000	11.70	14.00	1
3039803	24ABS342(A,G)30	CSRH*4212A**	58PH*135-20	40000	11.70	14.00	1
3039870	24ABS342(A,G)30	CSRH*4212A**+TDR		40500	11.00	13.00	1
3039889	24ABS342(A,G)30	CSRH*4812A**	58CV(A,X)070-12	40500	11.20	13.50	1
3039890	24ABS342(A,G)30	CSRH*4812A**	58CV(A,X)090-16	40500	11.50	14.00	1
3039891	24ABS342(A,G)30	CSRH*4812A**	58CV(A,X)110-20	40500	11.50	14.00	1
3039892	24ABS342(A,G)30	CSRH*4812A**	58CV(A,X)135-22	40500	11.50	14.00	1
3039893	24ABS342(A,G)30	CSRH*4812A**	58CV(A,X)155-22	40500	11.50	14.00	1
3113401	24ABS342(A,G)30	CSRH*4812A**	58MEB040-12	40500	11.70	13.50	1
3113402	24ABS342(A,G)30	CSRH*4812A**	58MEB060-12	40500	11.70	13.50	1
3113403	24ABS342(A,G)30	CSRH*4812A**	58MEB080-12	40500	11.70	13.50	1
3113404	24ABS342(A,G)30	CSRH*4812A**	58MEB080-16	40500	11.70	13.50	1
3113405	24ABS342(A,G)30	CSRH*4812A**	58MEB100-20	40500	12.00	14.00	1
3113406	24ABS342(A,G)30	CSRH*4812A**	58MEB120-20	40500	12.00	14.00	1
3039883	24ABS342(A,G)30	CSRH*4812A**	58MV(B,C)040-14	40500	11.20	13.50	1
3039884	24ABS342(A,G)30	CSRH*4812A**	58MV(B,C)060-14	40500	11.20	13.50	1
3039885	24ABS342(A,G)30	CSRH*4812A**	58MV(B,C)080-14	40500	11.20	13.50	1
3039886	24ABS342(A,G)30	CSRH*4812A**	58MV(B,C)080-20	40500	11.20	13.50	1
3039887	24ABS342(A,G)30	CSRH*4812A**	58MV(B,C)100-20	40500	11.50	14.00	1
3039888	24ABS342(A,G)30	CSRH*4812A**	58MV(B,C)120-20	40500	11.50	14.00	1
3039804	24ABS342(A,G)30	CSRH*4812A**	58PH*070-16	40500	11.50	13.20	1
3039805	24ABS342(A,G)30	CSRH*4812A**	58PH*090-16	40500	12.00	14.00	1
3039806	24ABS342(A,G)30	CSRH*4812A**	58PH*110-20	40500	12.00	14.00	1
3039807	24ABS342(A,G)30	CSRH*4812A**	58PH*135-20	40500	12.00	14.00	1
3039882	24ABS342(A,G)30	CSRH*4812A**+TDR		41000	11.00	13.00	1
3039894	24ABS342(A,G)30	FA4CN(F,C)042		41000	11.00	13.00	1
3039895	24ABS342(A,G)30	FA4CN(F,C)048		41500	11.00	13.00	1
3039896	24ABS342(A,G)30	FC4DN(F,B)042		41500	11.20	13.50	1
3039897	24ABS342(A,G)30	FC4DN(F,B)048		42500	11.50	14.00	1
3039898	24ABS342(A,G)30	FK4DN(B,F)003		40000	11.50	14.00	1
3039899	24ABS342(A,G)30	FK4DN(B,F)005		42000	11.50	14.00	1
3039900	24ABS342(A,G)30	FK4DNB006		42500	11.50	14.00	1
3041230	24ABS342(A,G)50	†CAR**4221A**+TDR		40500	11.00	13.00	3
3041262	24ABS342(A,G)50	CAR**4221A**	58CV(A,X)110-20	40500	11.20	13.50	3
3124611	24ABS342(A,G)50	CAR**4221A**	58MEB100-20	40000	11.70	13.50	3
3041259	24ABS342(A,G)50	CAR**4221A**	58MV(B,C)080-14	40000	11.20	13.50	3
3041260	24ABS342(A,G)50	CAR**4221A**	58MV(B,C)080-20	40000	11.20	13.50	3
3041261	24ABS342(A,G)50	CAR**4221A**	58MV(B,C)100-20	40000	11.20	13.50	3
3041231	24ABS342(A,G)50	CAR**4221A**	58PH*090-16	40000	11.70	13.50	3
3041232	24ABS342(A,G)50	CAR**4221A**	58PH*110-20	40000	11.70	14.00	3
3041266	24ABS342(A,G)50	CAR**4224A**	58CV(A,X)135-22	40500	11.50	14.00	3
3041267	24ABS342(A,G)50	CAR**4224A**	58CV(A,X)155-22	40500	11.50	14.00	3
3124612	24ABS342(A,G)50	CAR**4224A**	58MEB120-20	40500	12.00	14.00	3
3041264	24ABS342(A,G)50	CAR**4224A**	58MV(B,C)040-14	40000	11.20	13.50	3
3041265	24ABS342(A,G)50	CAR**4224A**	58MV(B,C)120-20	40000	11.20	13.50	3
3041233	24ABS342(A,G)50	CAR**4224A**	58PH*135-20	40000	11.70	14.00	3
3041263	24ABS342(A,G)50	CAR**4224A**+TDR		40500	11.00	13.00	3
3041270	24ABS342(A,G)50	CAR**4817A**	58CV(A,X)090-16	40000	11.50	14.00	3
3124613	24ABS342(A,G)50	CAR**4817A**	58MEB040-12	40500	11.70	13.50	3
3124614	24ABS342(A,G)50	CAR**4817A**	58MEB060-12	40500	11.70	13.50	3
3124615	24ABS342(A,G)50	CAR**4817A**	58MEB080-12	40500	11.70	13.50	3
3124616	24ABS342(A,G)50	CAR**4817A**	58MEB080-16	40500	11.70	13.50	3

See notes on pg. 32

COMBINATION RATINGS CONTINUED

ARI Ref. No.	Model Number	Indoor Model	Furnace Model	Capacity	EER	SEER	Phase
3041269	24ABS342(A,G)50	CAR**4817A**	58MV(B,C)060-14	40000	11.20	13.50	3
3041234	24ABS342(A,G)50	CAR**4817A**	58PH*070-16	39500	11.50	13.20	3
3041268	24ABS342(A,G)50	CAR**4817A**+TDR		40500	11.00	13.00	3
3041275	24ABS342(A,G)50	CAR**4821A**	58CV(A,X)110-20	41000	11.50	14.00	3
3124617	24ABS342(A,G)50	CAR**4821A**	58MEB100-20	40500	12.00	14.00	3
3041272	24ABS342(A,G)50	CAR**4821A**	58MV(B,C)080-14	40500	11.20	13.50	3
3041273	24ABS342(A,G)50	CAR**4821A**	58MV(B,C)080-20	41000	11.20	13.50	3
3041274	24ABS342(A,G)50	CAR**4821A**	58MV(B,C)100-20	41000	11.50	14.00	3
3041235	24ABS342(A,G)50	CAR**4821A**	58PH*090-16	40500	12.00	14.00	3
3041236	24ABS342(A,G)50	CAR**4821A**	58PH*110-20	40500	12.00	14.00	3
3041271	24ABS342(A,G)50	CAR**4821A**+TDR		41500	11.00	13.00	3
3041279	24ABS342(A,G)50	CAR**4824A**	58CV(A,X)135-22	41000	11.50	14.00	3
3041280	24ABS342(A,G)50	CAR**4824A**	58CV(A,X)155-22	41000	11.50	14.00	3
3124618	24ABS342(A,G)50	CAR**4824A**	58MEB120-20	40500	12.00	14.00	3
3041277	24ABS342(A,G)50	CAR**4824A**	58MV(B,C)040-14	40500	11.20	13.50	3
3041278	24ABS342(A,G)50	CAR**4824A**	58MV(B,C)120-20	41000	11.50	14.00	3
3041237	24ABS342(A,G)50	CAR**4824A**	58PH*135-20	40500	12.00	14.00	3
3041276	24ABS342(A,G)50	CAR**4824A**+TDR		41500	11.00	13.00	3
3041320	24ABS342(A,G)50	CNRF*4818A**+TDR		40500	11.00	13.00	3
3041303	24ABS342(A,G)50	CNRH*4221A**	58CV(A,X)070-12	40000	11.20	13.50	3
3041304	24ABS342(A,G)50	CNRH*4221A**	58CV(A,X)090-16	40000	11.50	14.00	3
3041305	24ABS342(A,G)50	CNRH*4221A**	58CV(A,X)110-20	40000	11.50	14.00	3
3041306	24ABS342(A,G)50	CNRH*4221A**	58CV(A,X)135-22	40000	11.50	14.00	3
3041307	24ABS342(A,G)50	CNRH*4221A**	58CV(A,X)155-22	40000	11.50	14.00	3
3124622	24ABS342(A,G)50	CNRH*4221A**	58MEB040-12	40500	11.70	13.50	3
3124623	24ABS342(A,G)50	CNRH*4221A**	58MEB060-12	40000	11.70	13.50	3
3124624	24ABS342(A,G)50	CNRH*4221A**	58MEB080-12	40000	11.70	13.50	3
3124625	24ABS342(A,G)50	CNRH*4221A**	58MEB080-16	40000	11.70	13.50	3
3124626	24ABS342(A,G)50	CNRH*4221A**	58MEB100-20	40000	11.70	13.50	3
3124627	24ABS342(A,G)50	CNRH*4221A**	58MEB120-20	40500	11.70	13.50	3
3041297	24ABS342(A,G)50	CNRH*4221A**	58MV(B,C)040-14	40000	11.20	13.50	3
3041298	24ABS342(A,G)50	CNRH*4221A**	58MV(B,C)060-14	40000	11.20	13.50	3
3041299	24ABS342(A,G)50	CNRH*4221A**	58MV(B,C)080-14	40000	11.20	13.50	3
3041300	24ABS342(A,G)50	CNRH*4221A**	58MV(B,C)080-20	40000	11.20	13.50	3
3041301	24ABS342(A,G)50	CNRH*4221A**	58MV(B,C)100-20	40000	11.50	14.00	3
3041302	24ABS342(A,G)50	CNRH*4221A**	58MV(B,C)120-20	40000	11.50	14.00	3
3041243	24ABS342(A,G)50	CNRH*4221A**	58PH*070-16	39500	11.20	13.00	3
3041244	24ABS342(A,G)50	CNRH*4221A**	58PH*090-16	40000	11.70	13.75	3
3041245	24ABS342(A,G)50	CNRH*4221A**	58PH*110-20	40000	11.70	14.00	3
3041246	24ABS342(A,G)50	CNRH*4221A**	58PH*135-20	40000	11.70	14.00	3
3041296	24ABS342(A,G)50	CNRH*4221A**+TDR		40500	11.00	13.00	3
3041315	24ABS342(A,G)50	CNRH*4821A**	58CV(A,X)070-12	41000	11.20	13.50	3
3041316	24ABS342(A,G)50	CNRH*4821A**	58CV(A,X)090-16	41000	11.50	14.00	3
3041317	24ABS342(A,G)50	CNRH*4821A**	58CV(A,X)110-20	41000	11.50	14.00	3
3041318	24ABS342(A,G)50	CNRH*4821A**	58CV(A,X)135-22	41000	11.50	14.00	3
3041319	24ABS342(A,G)50	CNRH*4821A**	58CV(A,X)155-22	41000	11.50	14.00	3
3124628	24ABS342(A,G)50	CNRH*4821A**	58MEB040-12	40500	11.70	13.50	3
3124629	24ABS342(A,G)50	CNRH*4821A**	58MEB060-12	40500	11.70	13.50	3
3124630	24ABS342(A,G)50	CNRH*4821A**	58MEB080-12	40500	11.70	13.50	3
3124631	24ABS342(A,G)50	CNRH*4821A**	58MEB080-16	40500	11.70	13.50	3
3124632	24ABS342(A,G)50	CNRH*4821A**	58MEB100-20	40500	12.00	14.00	3
3124633	24ABS342(A,G)50	CNRH*4821A**	58MEB120-20	40500	12.00	14.00	3
3041309	24ABS342(A,G)50	CNRH*4821A**	58MV(B,C)040-14	41000	11.20	13.50	3
3041310	24ABS342(A,G)50	CNRH*4821A**	58MV(B,C)060-14	41000	11.20	13.50	3
3041311	24ABS342(A,G)50	CNRH*4821A**	58MV(B,C)080-14	41000	11.20	13.50	3
3041312	24ABS342(A,G)50	CNRH*4821A**	58MV(B,C)080-20	41000	11.20	13.50	3
3041313	24ABS342(A,G)50	CNRH*4821A**	58MV(B,C)100-20	41000	11.50	14.00	3
3041314	24ABS342(A,G)50	CNRH*4821A**	58MV(B,C)120-20	41000	11.50	14.00	3
3041247	24ABS342(A,G)50	CNRH*4821A**	58PH*070-16	40500	11.50	13.20	3
3041248	24ABS342(A,G)50	CNRH*4821A**	58PH*090-16	40500	12.00	14.00	3
3041249	24ABS342(A,G)50	CNRH*4821A**	58PH*110-20	40500	12.00	14.00	3
3041250	24ABS342(A,G)50	CNRH*4821A**	58PH*135-20	40500	12.00	14.00	3
3041308	24ABS342(A,G)50	CNRH*4821A**+TDR		41500	11.00	13.00	3
3041285	24ABS342(A,G)50	CNRV*4221A**	58CV(A,X)110-20	40000	11.50	14.00	3
3124619	24ABS342(A,G)50	CNRV*4221A**	58MEB100-20	40000	11.70	13.50	3
3041282	24ABS342(A,G)50	CNRV*4221A**	58MV(B,C)080-14	40000	11.20	13.50	3
3041283	24ABS342(A,G)50	CNRV*4221A**	58MV(B,C)080-20	40000	11.20	13.50	3
3041284	24ABS342(A,G)50	CNRV*4221A**	58MV(B,C)100-20	40000	11.50	14.00	3
3041238	24ABS342(A,G)50	CNRV*4221A**	58PH*090-16	40000	11.70	13.50	3
3041239	24ABS342(A,G)50	CNRV*4221A**	58PH*110-20	40000	11.70	13.50	3
3041281	24ABS342(A,G)50	CNRV*4221A**+TDR		40500	11.00	13.00	3
3041290	24ABS342(A,G)50	CNRV*4821A**	58CV(A,X)110-20	41000	11.50	14.00	3
3124620	24ABS342(A,G)50	CNRV*4821A**	58MEB100-20	40500	12.00	14.00	3

24ABS3

See notes on pg. 32

COMBINATION RATINGS CONTINUED

24ABS3

ARI Ref. No.	Model Number	Indoor Model	Furnace Model	Capacity	EER	SEER	Phase
3041287	24ABS342(A,G)50	CNRV*4821A**	58MV(B,C)080-14	41000	11.20	13.50	3
3041288	24ABS342(A,G)50	CNRV*4821A**	58MV(B,C)080-20	41000	11.20	13.50	3
3041289	24ABS342(A,G)50	CNRV*4821A**	58MV(B,C)100-20	41000	11.50	14.00	3
3041240	24ABS342(A,G)50	CNRV*4821A**	58PH*090-16	40500	12.00	14.00	3
3041241	24ABS342(A,G)50	CNRV*4821A**	58PH*110-20	40500	12.00	14.00	3
3041286	24ABS342(A,G)50	CNRV*4821A**+TDR		41500	11.00	13.00	3
3041294	24ABS342(A,G)50	CNRV*4824A**	58CV(A,X)135-22	41000	11.50	14.00	3
3041295	24ABS342(A,G)50	CNRV*4824A**	58CV(A,X)155-22	41000	11.50	14.00	3
3124621	24ABS342(A,G)50	CNRV*4824A**	58MEB120-20	40500	12.00	14.00	3
3041292	24ABS342(A,G)50	CNRV*4824A**	58MV(B,C)040-14	41000	11.20	13.50	3
3041293	24ABS342(A,G)50	CNRV*4824A**	58MV(B,C)120-20	41000	11.50	14.00	3
3041242	24ABS342(A,G)50	CNRV*4824A**	58PH*135-20	40500	12.00	14.00	3
3041291	24ABS342(A,G)50	CNRV*4824A**+TDR		41500	11.00	13.00	3
3041328	24ABS342(A,G)50	CSRH*4212A**	58CV(A,X)070-12	40000	11.20	13.50	3
3041329	24ABS342(A,G)50	CSRH*4212A**	58CV(A,X)090-16	40000	11.50	14.00	3
3041330	24ABS342(A,G)50	CSRH*4212A**	58CV(A,X)110-20	40000	11.50	14.00	3
3041331	24ABS342(A,G)50	CSRH*4212A**	58CV(A,X)135-22	40000	11.50	14.00	3
3041332	24ABS342(A,G)50	CSRH*4212A**	58CV(A,X)155-22	40000	11.50	14.00	3
3124634	24ABS342(A,G)50	CSRH*4212A**	58MEB040-12	40500	11.70	13.50	3
3124635	24ABS342(A,G)50	CSRH*4212A**	58MEB060-12	40500	11.70	13.50	3
3124636	24ABS342(A,G)50	CSRH*4212A**	58MEB080-12	40500	11.70	13.50	3
3124637	24ABS342(A,G)50	CSRH*4212A**	58MEB080-16	40500	11.70	13.50	3
3124638	24ABS342(A,G)50	CSRH*4212A**	58MEB100-20	40500	12.00	14.00	3
3124639	24ABS342(A,G)50	CSRH*4212A**	58MEB120-20	40500	12.00	14.00	3
3041322	24ABS342(A,G)50	CSRH*4212A**	58MV(B,C)040-14	40000	11.20	13.50	3
3041323	24ABS342(A,G)50	CSRH*4212A**	58MV(B,C)060-14	40000	11.20	13.50	3
3041324	24ABS342(A,G)50	CSRH*4212A**	58MV(B,C)080-14	40000	11.20	13.50	3
3041325	24ABS342(A,G)50	CSRH*4212A**	58MV(B,C)080-20	40000	11.20	13.50	3
3041326	24ABS342(A,G)50	CSRH*4212A**	58MV(B,C)100-20	40000	11.50	14.00	3
3041327	24ABS342(A,G)50	CSRH*4212A**	58MV(B,C)120-20	40000	11.50	14.00	3
3041251	24ABS342(A,G)50	CSRH*4212A**	58PH*070-16	40000	11.50	13.20	3
3041252	24ABS342(A,G)50	CSRH*4212A**	58PH*090-16	40000	11.70	13.75	3
3041253	24ABS342(A,G)50	CSRH*4212A**	58PH*110-20	40000	11.70	14.00	3
3041254	24ABS342(A,G)50	CSRH*4212A**	58PH*135-20	40000	11.70	14.00	3
3041321	24ABS342(A,G)50	CSRH*4212A**+TDR		40500	11.00	13.00	3
3041340	24ABS342(A,G)50	CSRH*4812A**	58CV(A,X)070-12	40500	11.20	13.50	3
3041341	24ABS342(A,G)50	CSRH*4812A**	58CV(A,X)090-16	40500	11.50	14.00	3
3041342	24ABS342(A,G)50	CSRH*4812A**	58CV(A,X)110-20	40500	11.50	14.00	3
3041343	24ABS342(A,G)50	CSRH*4812A**	58CV(A,X)135-22	40500	11.50	14.00	3
3041344	24ABS342(A,G)50	CSRH*4812A**	58CV(A,X)155-22	40500	11.50	14.00	3
3124640	24ABS342(A,G)50	CSRH*4812A**	58MEB040-12	40500	11.70	13.50	3
3124641	24ABS342(A,G)50	CSRH*4812A**	58MEB060-12	40500	11.70	13.50	3
3124642	24ABS342(A,G)50	CSRH*4812A**	58MEB080-12	40500	11.70	13.50	3
3124643	24ABS342(A,G)50	CSRH*4812A**	58MEB080-16	40500	11.70	13.50	3
3124644	24ABS342(A,G)50	CSRH*4812A**	58MEB100-20	40500	12.00	14.00	3
3124645	24ABS342(A,G)50	CSRH*4812A**	58MEB120-20	40500	12.00	14.00	3
3041334	24ABS342(A,G)50	CSRH*4812A**	58MV(B,C)040-14	40500	11.20	13.50	3
3041335	24ABS342(A,G)50	CSRH*4812A**	58MV(B,C)060-14	40500	11.20	13.50	3
3041336	24ABS342(A,G)50	CSRH*4812A**	58MV(B,C)080-14	40500	11.20	13.50	3
3041337	24ABS342(A,G)50	CSRH*4812A**	58MV(B,C)080-20	40500	11.20	13.50	3
3041338	24ABS342(A,G)50	CSRH*4812A**	58MV(B,C)100-20	40500	11.50	14.00	3
3041339	24ABS342(A,G)50	CSRH*4812A**	58MV(B,C)120-20	40500	11.50	14.00	3
3041255	24ABS342(A,G)50	CSRH*4812A**	58PH*070-16	40500	11.50	13.20	3
3041256	24ABS342(A,G)50	CSRH*4812A**	58PH*090-16	40500	12.00	14.00	3
3041257	24ABS342(A,G)50	CSRH*4812A**	58PH*110-20	40500	12.00	14.00	3
3041258	24ABS342(A,G)50	CSRH*4812A**	58PH*135-20	40500	12.00	14.00	3
3041333	24ABS342(A,G)50	CSRH*4812A**+TDR		41000	11.00	13.00	3
3041345	24ABS342(A,G)50	FA4CN(F,C)042		41000	11.00	13.00	3
3041346	24ABS342(A,G)50	FA4CN(F,C)048		41500	11.00	13.00	3
3041347	24ABS342(A,G)50	FC4DN(F,B)042		41500	11.20	13.50	3
3041348	24ABS342(A,G)50	FC4DN(F,B)048		42500	11.50	14.00	3
3041349	24ABS342(A,G)50	FK4DN(B,F)003		40000	11.50	14.00	3
3041350	24ABS342(A,G)50	FK4DN(B,F)005		42000	11.50	14.00	3
3041351	24ABS342(A,G)50	FK4DNB006		42500	11.50	14.00	3
3041378	24ABS342(A,G)60	†CAR**4221A**+TDR		40500	11.00	13.00	3
3041410	24ABS342(A,G)60	CAR**4221A**	58CV(A,X)110-20	40500	11.20	13.50	3
3124702	24ABS342(A,G)60	CAR**4221A**	58MEB100-20	40000	11.70	13.50	3
3041407	24ABS342(A,G)60	CAR**4221A**	58MV(B,C)080-14	40000	11.20	13.50	3
3041408	24ABS342(A,G)60	CAR**4221A**	58MV(B,C)080-20	40000	11.20	13.50	3
3041409	24ABS342(A,G)60	CAR**4221A**	58MV(B,C)100-20	40000	11.20	13.50	3
3041379	24ABS342(A,G)60	CAR**4221A**	58PH*090-16	40000	11.70	13.50	3
3041380	24ABS342(A,G)60	CAR**4221A**	58PH*110-20	40000	11.70	14.00	3

See notes on pg. 32

COMBINATION RATINGS CONTINUED

ARI Ref. No.	Model Number	Indoor Model	Furnace Model	Capacity	EER	SEER	Phase
3041414	24ABS342(A,G)60	CAR**4224A**	58CV(A,X)135-22	40500	11.50	14.00	3
3041415	24ABS342(A,G)60	CAR**4224A**	58CV(A,X)155-22	40500	11.50	14.00	3
3124703	24ABS342(A,G)60	CAR**4224A**	58MEB120-20	40500	12.00	14.00	3
3041412	24ABS342(A,G)60	CAR**4224A**	58MV(B,C)040-14	40000	11.20	13.50	3
3041413	24ABS342(A,G)60	CAR**4224A**	58MV(B,C)120-20	40000	11.20	13.50	3
3041381	24ABS342(A,G)60	CAR**4224A**	58PH*135-20	40000	11.70	14.00	3
3041411	24ABS342(A,G)60	CAR**4224A**+TDR		40500	11.00	13.00	3
3041418	24ABS342(A,G)60	CAR**4817A**	58CV(A,X)090-16	40000	11.50	14.00	3
3124704	24ABS342(A,G)60	CAR**4817A**	58MEB040-12	40500	11.70	13.50	3
3124705	24ABS342(A,G)60	CAR**4817A**	58MEB060-12	40500	11.70	13.50	3
3124706	24ABS342(A,G)60	CAR**4817A**	58MEB080-12	40500	11.70	13.50	3
3124707	24ABS342(A,G)60	CAR**4817A**	58MEB080-16	40500	11.70	13.50	3
3041417	24ABS342(A,G)60	CAR**4817A**	58MV(B,C)060-14	40000	11.20	13.50	3
3041382	24ABS342(A,G)60	CAR**4817A**	58PH*070-16	39500	11.50	13.20	3
3041416	24ABS342(A,G)60	CAR**4817A**+TDR		40500	11.00	13.00	3
3041423	24ABS342(A,G)60	CAR**4821A**	58CV(A,X)110-20	41000	11.50	14.00	3
3124708	24ABS342(A,G)60	CAR**4821A**	58MEB100-20	40500	12.00	14.00	3
3041420	24ABS342(A,G)60	CAR**4821A**	58MV(B,C)080-14	40500	11.20	13.50	3
3041421	24ABS342(A,G)60	CAR**4821A**	58MV(B,C)080-20	41000	11.20	13.50	3
3041422	24ABS342(A,G)60	CAR**4821A**	58MV(B,C)100-20	41000	11.50	14.00	3
3041383	24ABS342(A,G)60	CAR**4821A**	58PH*090-16	40500	12.00	14.00	3
3041384	24ABS342(A,G)60	CAR**4821A**	58PH*110-20	40500	12.00	14.00	3
3041419	24ABS342(A,G)60	CAR**4821A**+TDR		41500	11.00	13.00	3
3041427	24ABS342(A,G)60	CAR**4824A**	58CV(A,X)135-22	41000	11.50	14.00	3
3041428	24ABS342(A,G)60	CAR**4824A**	58CV(A,X)155-22	41000	11.50	14.00	3
3124709	24ABS342(A,G)60	CAR**4824A**	58MEB120-20	40500	12.00	14.00	3
3041425	24ABS342(A,G)60	CAR**4824A**	58MV(B,C)040-14	40500	11.20	13.50	3
3041426	24ABS342(A,G)60	CAR**4824A**	58MV(B,C)120-20	41000	11.50	14.00	3
3041385	24ABS342(A,G)60	CAR**4824A**	58PH*135-20	40500	12.00	14.00	3
3041424	24ABS342(A,G)60	CAR**4824A**+TDR		41500	11.00	13.00	3
3041468	24ABS342(A,G)60	CNRH*4818A**+TDR		40500	11.00	13.00	3
3041451	24ABS342(A,G)60	CNRH*4221A**	58CV(A,X)070-12	40000	11.20	13.50	3
3041452	24ABS342(A,G)60	CNRH*4221A**	58CV(A,X)090-16	40000	11.50	14.00	3
3041453	24ABS342(A,G)60	CNRH*4221A**	58CV(A,X)110-20	40000	11.50	14.00	3
3041454	24ABS342(A,G)60	CNRH*4221A**	58CV(A,X)135-22	40000	11.50	14.00	3
3041455	24ABS342(A,G)60	CNRH*4221A**	58CV(A,X)155-22	40000	11.50	14.00	3
3124713	24ABS342(A,G)60	CNRH*4221A**	58MEB040-12	40500	11.70	13.50	3
3124714	24ABS342(A,G)60	CNRH*4221A**	58MEB060-12	40000	11.70	13.50	3
3124715	24ABS342(A,G)60	CNRH*4221A**	58MEB080-12	40000	11.70	13.50	3
3124716	24ABS342(A,G)60	CNRH*4221A**	58MEB080-16	40000	11.70	13.50	3
3124717	24ABS342(A,G)60	CNRH*4221A**	58MEB100-20	40000	11.70	13.50	3
3124718	24ABS342(A,G)60	CNRH*4221A**	58MEB120-20	40500	11.70	13.50	3
3041445	24ABS342(A,G)60	CNRH*4221A**	58MV(B,C)040-14	40000	11.20	13.50	3
3041446	24ABS342(A,G)60	CNRH*4221A**	58MV(B,C)060-14	40000	11.20	13.50	3
3041447	24ABS342(A,G)60	CNRH*4221A**	58MV(B,C)080-14	40000	11.20	13.50	3
3041448	24ABS342(A,G)60	CNRH*4221A**	58MV(B,C)080-20	40000	11.20	13.50	3
3041449	24ABS342(A,G)60	CNRH*4221A**	58MV(B,C)100-20	40000	11.50	14.00	3
3041450	24ABS342(A,G)60	CNRH*4221A**	58MV(B,C)120-20	40000	11.50	14.00	3
3041391	24ABS342(A,G)60	CNRH*4221A**	58PH*070-16	39500	11.20	13.00	3
3041392	24ABS342(A,G)60	CNRH*4221A**	58PH*090-16	40000	11.70	13.75	3
3041393	24ABS342(A,G)60	CNRH*4221A**	58PH*110-20	40000	11.70	14.00	3
3041394	24ABS342(A,G)60	CNRH*4221A**	58PH*135-20	40000	11.70	14.00	3
3041444	24ABS342(A,G)60	CNRH*4221A**+TDR		40500	11.00	13.00	3
3041463	24ABS342(A,G)60	CNRH*4821A**	58CV(A,X)070-12	41000	11.20	13.50	3
3041464	24ABS342(A,G)60	CNRH*4821A**	58CV(A,X)090-16	41000	11.50	14.00	3
3041465	24ABS342(A,G)60	CNRH*4821A**	58CV(A,X)110-20	41000	11.50	14.00	3
3041466	24ABS342(A,G)60	CNRH*4821A**	58CV(A,X)135-22	41000	11.50	14.00	3
3041467	24ABS342(A,G)60	CNRH*4821A**	58CV(A,X)155-22	41000	11.50	14.00	3
3124719	24ABS342(A,G)60	CNRH*4821A**	58MEB040-12	40500	11.70	13.50	3
3124720	24ABS342(A,G)60	CNRH*4821A**	58MEB060-12	40500	11.70	13.50	3
3124721	24ABS342(A,G)60	CNRH*4821A**	58MEB080-12	40500	11.70	13.50	3
3124722	24ABS342(A,G)60	CNRH*4821A**	58MEB080-16	40500	11.70	13.50	3
3124723	24ABS342(A,G)60	CNRH*4821A**	58MEB100-20	40500	12.00	14.00	3
3124724	24ABS342(A,G)60	CNRH*4821A**	58MEB120-20	40500	12.00	14.00	3
3041457	24ABS342(A,G)60	CNRH*4821A**	58MV(B,C)040-14	41000	11.20	13.50	3
3041458	24ABS342(A,G)60	CNRH*4821A**	58MV(B,C)060-14	41000	11.20	13.50	3
3041459	24ABS342(A,G)60	CNRH*4821A**	58MV(B,C)080-14	41000	11.20	13.50	3
3041460	24ABS342(A,G)60	CNRH*4821A**	58MV(B,C)080-20	41000	11.20	13.50	3
3041461	24ABS342(A,G)60	CNRH*4821A**	58MV(B,C)100-20	41000	11.50	14.00	3
3041462	24ABS342(A,G)60	CNRH*4821A**	58MV(B,C)120-20	41000	11.50	14.00	3
3041395	24ABS342(A,G)60	CNRH*4821A**	58PH*070-16	40500	11.50	13.20	3
3041396	24ABS342(A,G)60	CNRH*4821A**	58PH*090-16	40500	12.00	14.00	3
3041397	24ABS342(A,G)60	CNRH*4821A**	58PH*110-20	40500	12.00	14.00	3

24ABS3

See notes on pg. 32

COMBINATION RATINGS CONTINUED

ARI Ref. No.	Model Number	Indoor Model	Furnace Model	Capacity	EER	SEER	Phase
3041398	24ABS342(A,G)60	CNRH*4821A**	58PH*135-20	40500	12.00	14.00	3
3041456	24ABS342(A,G)60	CNRH*4821A**+TDR		41500	11.00	13.00	3
3041433	24ABS342(A,G)60	CNRV*4221A**	58CV(A,X)110-20	40000	11.50	14.00	3
3124710	24ABS342(A,G)60	CNRV*4221A**	58MEB100-20	40000	11.70	13.50	3
3041430	24ABS342(A,G)60	CNRV*4221A**	58MV(B,C)080-14	40000	11.20	13.50	3
3041431	24ABS342(A,G)60	CNRV*4221A**	58MV(B,C)080-20	40000	11.20	13.50	3
3041432	24ABS342(A,G)60	CNRV*4221A**	58MV(B,C)100-20	40000	11.50	14.00	3
3041386	24ABS342(A,G)60	CNRV*4221A**	58PH*090-16	40000	11.70	13.50	3
3041387	24ABS342(A,G)60	CNRV*4221A**	58PH*110-20	40000	11.70	13.50	3
3041429	24ABS342(A,G)60	CNRV*4221A**+TDR		40500	11.00	13.00	3
3041438	24ABS342(A,G)60	CNRV*4821A**	58CV(A,X)110-20	41000	11.50	14.00	3
3124711	24ABS342(A,G)60	CNRV*4821A**	58MEB100-20	40500	12.00	14.00	3
3041435	24ABS342(A,G)60	CNRV*4821A**	58MV(B,C)080-14	41000	11.20	13.50	3
3041436	24ABS342(A,G)60	CNRV*4821A**	58MV(B,C)080-20	41000	11.20	13.50	3
3041437	24ABS342(A,G)60	CNRV*4821A**	58MV(B,C)100-20	41000	11.50	14.00	3
3041388	24ABS342(A,G)60	CNRV*4821A**	58PH*090-16	40500	12.00	14.00	3
3041389	24ABS342(A,G)60	CNRV*4821A**	58PH*110-20	40500	12.00	14.00	3
3041434	24ABS342(A,G)60	CNRV*4821A**+TDR		41500	11.00	13.00	3
3041442	24ABS342(A,G)60	CNRV*4824A**	58CV(A,X)135-22	41000	11.50	14.00	3
3041443	24ABS342(A,G)60	CNRV*4824A**	58CV(A,X)155-22	41000	11.50	14.00	3
3124712	24ABS342(A,G)60	CNRV*4824A**	58MEB120-20	40500	12.00	14.00	3
3041440	24ABS342(A,G)60	CNRV*4824A**	58MV(B,C)040-14	41000	11.20	13.50	3
3041441	24ABS342(A,G)60	CNRV*4824A**	58MV(B,C)120-20	41000	11.50	14.00	3
3041390	24ABS342(A,G)60	CNRV*4824A**	58PH*135-20	40500	12.00	14.00	3
3041439	24ABS342(A,G)60	CNRV*4824A**+TDR		41500	11.00	13.00	3
3041476	24ABS342(A,G)60	CSRH*4212A**	58CV(A,X)070-12	40000	11.20	13.50	3
3041477	24ABS342(A,G)60	CSRH*4212A**	58CV(A,X)090-16	40000	11.50	14.00	3
3041478	24ABS342(A,G)60	CSRH*4212A**	58CV(A,X)110-20	40000	11.50	14.00	3
3041479	24ABS342(A,G)60	CSRH*4212A**	58CV(A,X)135-22	40000	11.50	14.00	3
3041480	24ABS342(A,G)60	CSRH*4212A**	58CV(A,X)155-22	40000	11.50	14.00	3
3124725	24ABS342(A,G)60	CSRH*4212A**	58MEB040-12	40500	11.70	13.50	3
3124726	24ABS342(A,G)60	CSRH*4212A**	58MEB060-12	40500	11.70	13.50	3
3124727	24ABS342(A,G)60	CSRH*4212A**	58MEB080-12	40500	11.70	13.50	3
3124728	24ABS342(A,G)60	CSRH*4212A**	58MEB080-16	40500	11.70	13.50	3
3124729	24ABS342(A,G)60	CSRH*4212A**	58MEB100-20	40500	12.00	14.00	3
3124730	24ABS342(A,G)60	CSRH*4212A**	58MEB120-20	40500	12.00	14.00	3
3041470	24ABS342(A,G)60	CSRH*4212A**	58MV(B,C)040-14	40000	11.20	13.50	3
3041471	24ABS342(A,G)60	CSRH*4212A**	58MV(B,C)060-14	40000	11.20	13.50	3
3041472	24ABS342(A,G)60	CSRH*4212A**	58MV(B,C)080-14	40000	11.20	13.50	3
3041473	24ABS342(A,G)60	CSRH*4212A**	58MV(B,C)080-20	40000	11.20	13.50	3
3041474	24ABS342(A,G)60	CSRH*4212A**	58MV(B,C)100-20	40000	11.50	14.00	3
3041475	24ABS342(A,G)60	CSRH*4212A**	58MV(B,C)120-20	40000	11.50	14.00	3
3041399	24ABS342(A,G)60	CSRH*4212A**	58PH*070-16	40000	11.50	13.20	3
3041400	24ABS342(A,G)60	CSRH*4212A**	58PH*090-16	40000	11.70	13.75	3
3041401	24ABS342(A,G)60	CSRH*4212A**	58PH*110-20	40000	11.70	14.00	3
3041402	24ABS342(A,G)60	CSRH*4212A**	58PH*135-20	40000	11.70	14.00	3
3041469	24ABS342(A,G)60	CSRH*4212A**+TDR		40500	11.00	13.00	3
3041488	24ABS342(A,G)60	CSRH*4812A**	58CV(A,X)070-12	40500	11.20	13.50	3
3041489	24ABS342(A,G)60	CSRH*4812A**	58CV(A,X)090-16	40500	11.50	14.00	3
3041490	24ABS342(A,G)60	CSRH*4812A**	58CV(A,X)110-20	40500	11.50	14.00	3
3041491	24ABS342(A,G)60	CSRH*4812A**	58CV(A,X)135-22	40500	11.50	14.00	3
3041492	24ABS342(A,G)60	CSRH*4812A**	58CV(A,X)155-22	40500	11.50	14.00	3
3124731	24ABS342(A,G)60	CSRH*4812A**	58MEB040-12	40500	11.70	13.50	3
3124732	24ABS342(A,G)60	CSRH*4812A**	58MEB060-12	40500	11.70	13.50	3
3124733	24ABS342(A,G)60	CSRH*4812A**	58MEB080-12	40500	11.70	13.50	3
3124734	24ABS342(A,G)60	CSRH*4812A**	58MEB080-16	40500	11.70	13.50	3
3124735	24ABS342(A,G)60	CSRH*4812A**	58MEB100-20	40500	12.00	14.00	3
3124736	24ABS342(A,G)60	CSRH*4812A**	58MEB120-20	40500	12.00	14.00	3
3041482	24ABS342(A,G)60	CSRH*4812A**	58MV(B,C)040-14	40500	11.20	13.50	3
3041483	24ABS342(A,G)60	CSRH*4812A**	58MV(B,C)060-14	40500	11.20	13.50	3
3041484	24ABS342(A,G)60	CSRH*4812A**	58MV(B,C)080-14	40500	11.20	13.50	3
3041485	24ABS342(A,G)60	CSRH*4812A**	58MV(B,C)080-20	40500	11.20	13.50	3
3041486	24ABS342(A,G)60	CSRH*4812A**	58MV(B,C)100-20	40500	11.50	14.00	3
3041487	24ABS342(A,G)60	CSRH*4812A**	58MV(B,C)120-20	40500	11.50	14.00	3
3041403	24ABS342(A,G)60	CSRH*4812A**	58PH*070-16	40500	11.50	13.20	3
3041404	24ABS342(A,G)60	CSRH*4812A**	58PH*090-16	40500	12.00	14.00	3
3041405	24ABS342(A,G)60	CSRH*4812A**	58PH*110-20	40500	12.00	14.00	3
3041406	24ABS342(A,G)60	CSRH*4812A**	58PH*135-20	40500	12.00	14.00	3
3041481	24ABS342(A,G)60	CSRH*4812A**+TDR		41000	11.00	13.00	3
3041493	24ABS342(A,G)60	FA4CN(F,C)042		41000	11.00	13.00	3
3041494	24ABS342(A,G)60	FA4CN(F,C)048		41500	11.00	13.00	3
3041495	24ABS342(A,G)60	FC4DN(F,B)042		41500	11.20	13.50	3
3041496	24ABS342(A,G)60	FC4DN(F,B)048		42500	11.50	14.00	3

See notes on pg. 32

COMBINATION RATINGS CONTINUED

ARI Ref. No.	Model Number	Indoor Model	Furnace Model	Capacity	EER	SEER	Phase
3041497	24ABS342(A,G)60	FK4DN(B,F)003		40000	11.50	14.00	3
3041498	24ABS342(A,G)60	FK4DN(B,F)005		42000	11.50	14.00	3
3041499	24ABS342(A,G)60	FK4DNB006		42500	11.50	14.00	3
3044468	24ABS342A10	†CAR**4221A**+TDR		40500	11.00	13.00	3
3044500	24ABS342A10	CAR**4221A**	58CV(A,X)110-20	40500	11.20	13.50	3
3044497	24ABS342A10	CAR**4221A**	58MV(B,C)080-14	40000	11.20	13.50	3
3044498	24ABS342A10	CAR**4221A**	58MV(B,C)080-20	40000	11.20	13.50	3
3044499	24ABS342A10	CAR**4221A**	58MV(B,C)100-20	40000	11.20	13.50	3
3044469	24ABS342A10	CAR**4221A**	58PH*090-16	40000	11.70	13.50	3
3044470	24ABS342A10	CAR**4221A**	58PH*110-20	40000	11.70	14.00	3
3044504	24ABS342A10	CAR**4224A**	58CV(A,X)135-22	40500	11.50	14.00	3
3044505	24ABS342A10	CAR**4224A**	58CV(A,X)155-22	40500	11.50	14.00	3
3044502	24ABS342A10	CAR**4224A**	58MV(B,C)040-14	40000	11.20	13.50	3
3044503	24ABS342A10	CAR**4224A**	58MV(B,C)120-20	40000	11.20	13.50	3
3044471	24ABS342A10	CAR**4224A**	58PH*135-20	40000	11.70	14.00	3
3044501	24ABS342A10	CAR**4224A**+TDR		40500	11.00	13.00	3
3044508	24ABS342A10	CAR**4817A**	58CV(A,X)090-16	40000	11.50	14.00	3
3044507	24ABS342A10	CAR**4817A**	58MV(B,C)060-14	40000	11.20	13.50	3
3044472	24ABS342A10	CAR**4817A**	58PH*070-16	39500	11.50	13.20	3
3044506	24ABS342A10	CAR**4817A**+TDR		40500	11.00	13.00	3
3044513	24ABS342A10	CAR**4821A**	58CV(A,X)110-20	41000	11.50	14.00	3
3044510	24ABS342A10	CAR**4821A**	58MV(B,C)080-14	40500	11.20	13.50	3
3044511	24ABS342A10	CAR**4821A**	58MV(B,C)080-20	41000	11.20	13.50	3
3044512	24ABS342A10	CAR**4821A**	58MV(B,C)100-20	41000	11.50	14.00	3
3044473	24ABS342A10	CAR**4821A**	58PH*090-16	40500	12.00	14.00	3
3044474	24ABS342A10	CAR**4821A**	58PH*110-20	40500	12.00	14.00	3
3044509	24ABS342A10	CAR**4821A**+TDR		41500	11.00	13.00	3
3044517	24ABS342A10	CAR**4824A**	58CV(A,X)135-22	41000	11.50	14.00	3
3044518	24ABS342A10	CAR**4824A**	58CV(A,X)155-22	41000	11.50	14.00	3
3044515	24ABS342A10	CAR**4824A**	58MV(B,C)040-14	40500	11.20	13.50	3
3044516	24ABS342A10	CAR**4824A**	58MV(B,C)120-20	41000	11.50	14.00	3
3044475	24ABS342A10	CAR**4824A**	58PH*135-20	40500	12.00	14.00	3
3044514	24ABS342A10	CAR**4824A**+TDR		41500	11.00	13.00	3
3044558	24ABS342A10	CNRH*4818A**+TDR		40500	11.00	13.00	3
3044541	24ABS342A10	CNRH*4221A**	58CV(A,X)070-12	40000	11.20	13.50	3
3044542	24ABS342A10	CNRH*4221A**	58CV(A,X)090-16	40000	11.50	14.00	3
3044543	24ABS342A10	CNRH*4221A**	58CV(A,X)110-20	40000	11.50	14.00	3
3044544	24ABS342A10	CNRH*4221A**	58CV(A,X)135-22	40000	11.50	14.00	3
3044545	24ABS342A10	CNRH*4221A**	58CV(A,X)155-22	40000	11.50	14.00	3
3044535	24ABS342A10	CNRH*4221A**	58MV(B,C)040-14	40000	11.20	13.50	3
3044536	24ABS342A10	CNRH*4221A**	58MV(B,C)060-14	40000	11.20	13.50	3
3044537	24ABS342A10	CNRH*4221A**	58MV(B,C)080-14	40000	11.20	13.50	3
3044538	24ABS342A10	CNRH*4221A**	58MV(B,C)080-20	40000	11.20	13.50	3
3044539	24ABS342A10	CNRH*4221A**	58MV(B,C)100-20	40000	11.50	14.00	3
3044540	24ABS342A10	CNRH*4221A**	58MV(B,C)120-20	40000	11.50	14.00	3
3044481	24ABS342A10	CNRH*4221A**	58PH*070-16	39500	11.20	13.00	3
3044482	24ABS342A10	CNRH*4221A**	58PH*090-16	40000	11.70	13.75	3
3044483	24ABS342A10	CNRH*4221A**	58PH*110-20	40000	11.70	14.00	3
3044484	24ABS342A10	CNRH*4221A**	58PH*135-20	40000	11.70	14.00	3
3044534	24ABS342A10	CNRH*4221A**+TDR		40500	11.00	13.00	3
3044553	24ABS342A10	CNRH*4821A**	58CV(A,X)070-12	41000	11.20	13.50	3
3044554	24ABS342A10	CNRH*4821A**	58CV(A,X)090-16	41000	11.50	14.00	3
3044555	24ABS342A10	CNRH*4821A**	58CV(A,X)110-20	41000	11.50	14.00	3
3044556	24ABS342A10	CNRH*4821A**	58CV(A,X)135-22	41000	11.50	14.00	3
3044557	24ABS342A10	CNRH*4821A**	58CV(A,X)155-22	41000	11.50	14.00	3
3044547	24ABS342A10	CNRH*4821A**	58MV(B,C)040-14	41000	11.20	13.50	3
3044548	24ABS342A10	CNRH*4821A**	58MV(B,C)060-14	41000	11.20	13.50	3
3044549	24ABS342A10	CNRH*4821A**	58MV(B,C)080-14	41000	11.20	13.50	3
3044550	24ABS342A10	CNRH*4821A**	58MV(B,C)080-20	41000	11.20	13.50	3
3044551	24ABS342A10	CNRH*4821A**	58MV(B,C)100-20	41000	11.50	14.00	3
3044552	24ABS342A10	CNRH*4821A**	58MV(B,C)120-20	41000	11.50	14.00	3
3044485	24ABS342A10	CNRH*4821A**	58PH*070-16	40500	11.50	13.20	3
3044486	24ABS342A10	CNRH*4821A**	58PH*090-16	40500	12.00	14.00	3
3044487	24ABS342A10	CNRH*4821A**	58PH*110-20	40500	12.00	14.00	3
3044488	24ABS342A10	CNRH*4821A**	58PH*135-20	40500	12.00	14.00	3
3044546	24ABS342A10	CNRH*4821A**+TDR		41500	11.00	13.00	3
3044523	24ABS342A10	CNRV*4221A**	58CV(A,X)110-20	40000	11.50	14.00	3
3044520	24ABS342A10	CNRV*4221A**	58MV(B,C)080-14	40000	11.20	13.50	3
3044521	24ABS342A10	CNRV*4221A**	58MV(B,C)080-20	40000	11.20	13.50	3
3044522	24ABS342A10	CNRV*4221A**	58MV(B,C)100-20	40000	11.50	14.00	3
3044476	24ABS342A10	CNRV*4221A**	58PH*090-16	40000	11.70	13.50	3
3044477	24ABS342A10	CNRV*4221A**	58PH*110-20	40000	11.70	13.50	3

24ABS3

See notes on pg. 32

COMBINATION RATINGS CONTINUED

24ABS3

ARI Ref. No.	Model Number	Indoor Model	Furnace Model	Capacity	EER	SEER	Phase
3044519	24ABS342A10	CNRV*4221A**+TDR		40500	11.00	13.00	3
3044528	24ABS342A10	CNRV*4821A**	58CV(A,X)110-20	41000	11.50	14.00	3
3044525	24ABS342A10	CNRV*4821A**	58MV(B,C)080-14	41000	11.20	13.50	3
3044526	24ABS342A10	CNRV*4821A**	58MV(B,C)080-20	41000	11.20	13.50	3
3044527	24ABS342A10	CNRV*4821A**	58MV(B,C)100-20	41000	11.50	14.00	3
3044478	24ABS342A10	CNRV*4821A**	58PH*090-16	40500	12.00	14.00	3
3044479	24ABS342A10	CNRV*4821A**	58PH*110-20	40500	12.00	14.00	3
3044524	24ABS342A10	CNRV*4821A**+TDR		41500	11.00	13.00	3
3044532	24ABS342A10	CNRV*4824A**	58CV(A,X)135-22	41000	11.50	14.00	3
3044533	24ABS342A10	CNRV*4824A**	58CV(A,X)155-22	41000	11.50	14.00	3
3044530	24ABS342A10	CNRV*4824A**	58MV(B,C)040-14	41000	11.20	13.50	3
3044531	24ABS342A10	CNRV*4824A**	58MV(B,C)120-20	41000	11.50	14.00	3
3044480	24ABS342A10	CNRV*4824A**	58PH*135-20	40500	12.00	14.00	3
3044529	24ABS342A10	CNRV*4824A**+TDR		41500	11.00	13.00	3
3044566	24ABS342A10	CSRH*4212A**	58CV(A,X)070-12	40000	11.20	13.50	3
3044567	24ABS342A10	CSRH*4212A**	58CV(A,X)090-16	40000	11.50	14.00	3
3044568	24ABS342A10	CSRH*4212A**	58CV(A,X)110-20	40000	11.50	14.00	3
3044569	24ABS342A10	CSRH*4212A**	58CV(A,X)135-22	40000	11.50	14.00	3
3044570	24ABS342A10	CSRH*4212A**	58CV(A,X)155-22	40000	11.50	14.00	3
3044560	24ABS342A10	CSRH*4212A**	58MV(B,C)040-14	40000	11.20	13.50	3
3044561	24ABS342A10	CSRH*4212A**	58MV(B,C)060-14	40000	11.20	13.50	3
3044562	24ABS342A10	CSRH*4212A**	58MV(B,C)080-14	40000	11.20	13.50	3
3044563	24ABS342A10	CSRH*4212A**	58MV(B,C)080-20	40000	11.20	13.50	3
3044564	24ABS342A10	CSRH*4212A**	58MV(B,C)100-20	40000	11.50	14.00	3
3044565	24ABS342A10	CSRH*4212A**	58MV(B,C)120-20	40000	11.50	14.00	3
3044489	24ABS342A10	CSRH*4212A**	58PH*070-16	40000	11.50	13.20	3
3044490	24ABS342A10	CSRH*4212A**	58PH*090-16	40000	11.70	13.75	3
3044491	24ABS342A10	CSRH*4212A**	58PH*110-20	40000	11.70	14.00	3
3044492	24ABS342A10	CSRH*4212A**	58PH*135-20	40000	11.70	14.00	3
3044559	24ABS342A10	CSRH*4212A**+TDR		40500	11.00	13.00	3
3044578	24ABS342A10	CSRH*4812A**	58CV(A,X)070-12	40500	11.20	13.50	3
3044579	24ABS342A10	CSRH*4812A**	58CV(A,X)090-16	40500	11.50	14.00	3
3044580	24ABS342A10	CSRH*4812A**	58CV(A,X)110-20	40500	11.50	14.00	3
3044581	24ABS342A10	CSRH*4812A**	58CV(A,X)135-22	40500	11.50	14.00	3
3044582	24ABS342A10	CSRH*4812A**	58CV(A,X)155-22	40500	11.50	14.00	3
3044572	24ABS342A10	CSRH*4812A**	58MV(B,C)040-14	40500	11.20	13.50	3
3044573	24ABS342A10	CSRH*4812A**	58MV(B,C)060-14	40500	11.20	13.50	3
3044574	24ABS342A10	CSRH*4812A**	58MV(B,C)080-14	40500	11.20	13.50	3
3044575	24ABS342A10	CSRH*4812A**	58MV(B,C)080-20	40500	11.20	13.50	3
3044576	24ABS342A10	CSRH*4812A**	58MV(B,C)100-20	40500	11.50	14.00	3
3044577	24ABS342A10	CSRH*4812A**	58MV(B,C)120-20	40500	11.50	14.00	3
3044493	24ABS342A10	CSRH*4812A**	58PH*070-16	40500	11.50	13.20	3
3044494	24ABS342A10	CSRH*4812A**	58PH*090-16	40500	12.00	14.00	3
3044495	24ABS342A10	CSRH*4812A**	58PH*110-20	40500	12.00	14.00	3
3044496	24ABS342A10	CSRH*4812A**	58PH*135-20	40500	12.00	14.00	3
3044571	24ABS342A10	CSRH*4812A**+TDR		41000	11.00	13.00	3
3044583	24ABS342A10	FA4CN(F,C)042		41000	11.00	13.00	3
3044584	24ABS342A10	FA4CN(F,C)048		41500	11.00	13.00	3
3044585	24ABS342A10	FC4DN(F,B)042		41500	11.20	13.50	3
3044586	24ABS342A10	FC4DN(F,B)048		42500	11.50	14.00	3
3044587	24ABS342A10	FK4DN(B,F)003		40000	11.50	14.00	3
3044588	24ABS342A10	FK4DN(B,F)005		42000	11.50	14.00	3
3044589	24ABS342A10	FK4DNB006		42500	11.50	14.00	3
3043671	24ABS348(A,G)30	†CAR**4821A**+TDR		46000	11.00	13.00	1
3043695	24ABS348(A,G)30	CAR**4817A**	58CV(A,X)090-16	44500	11.00	13.20	1
3043694	24ABS348(A,G)30	CAR**4817A**+TDR		45000	11.00	13.00	1
3043698	24ABS348(A,G)30	CAR**4821A**	58CV(A,X)110-20	45500	11.00	13.20	1
3113407	24ABS348(A,G)30	CAR**4821A**	58MEB100-20	45500	11.70	13.50	1
3043696	24ABS348(A,G)30	CAR**4821A**	58MV(B,C)080-20	45000	11.00	13.20	1
3043697	24ABS348(A,G)30	CAR**4821A**	58MV(B,C)100-20	45500	11.80	13.20	1
3043672	24ABS348(A,G)30	CAR**4821A**	58PH*090-16	45500	11.50	13.25	1
3043673	24ABS348(A,G)30	CAR**4821A**	58PH*110-20	45500	11.70	13.50	1
3043701	24ABS348(A,G)30	CAR**4824A**	58CV(A,X)135-22	45500	11.20	13.50	1
3043702	24ABS348(A,G)30	CAR**4824A**	58CV(A,X)155-22	45500	11.50	14.00	1
3113408	24ABS348(A,G)30	CAR**4824A**	58MEB120-20	46000	11.70	13.50	1
3043700	24ABS348(A,G)30	CAR**4824A**	58MV(B,C)120-20	45000	11.00	13.20	1
3043674	24ABS348(A,G)30	CAR**4824A**	58PH*135-20	45500	11.70	13.50	1
3043699	24ABS348(A,G)30	CAR**4824A**+TDR		46500	11.00	13.00	1
3043706	24ABS348(A,G)30	CAR**6021A**	58CV(A,X)110-20	46500	11.20	13.50	1
3113409	24ABS348(A,G)30	CAR**6021A**	58MEB100-20	47000	12.00	14.00	1
3043704	24ABS348(A,G)30	CAR**6021A**	58MV(B,C)080-20	46500	11.20	13.50	1
3043705	24ABS348(A,G)30	CAR**6021A**	58MV(B,C)100-20	46500	11.20	13.50	1

See notes on pg. 32

COMBINATION RATINGS CONTINUED

ARI Ref. No.	Model Number	Indoor Model	Furnace Model	Capacity	EER	SEER	Phase
3043675	24ABS348(A,G)30	CAR**6021A**	58PH*090-16	46500	11.70	13.75	1
3043676	24ABS348(A,G)30	CAR**6021A**	58PH*110-20	46500	12.00	14.00	1
3043703	24ABS348(A,G)30	CAR**6021A**+TDR		47500	11.00	13.00	1
3043709	24ABS348(A,G)30	CAR**6024A**	58CV(A,X)135-22	46500	11.20	13.50	1
3043710	24ABS348(A,G)30	CAR**6024A**	58CV(A,X)155-22	47000	11.50	14.00	1
3113410	24ABS348(A,G)30	CAR**6024A**	58MEB120-20	47000	12.00	14.00	1
3043708	24ABS348(A,G)30	CAR**6024A**	58MV(B,C)120-20	46500	11.20	13.50	1
3043677	24ABS348(A,G)30	CAR**6024A**	58PH*135-20	47000	11.70	13.75	1
3043707	24ABS348(A,G)30	CAR**6024A**+TDR		47500	11.00	13.00	1
3043739	24ABS348(A,G)30	CNRF*4818A**+TDR		45000	11.00	13.00	1
3043727	24ABS348(A,G)30	CNRH*4821A**	58CV(A,X)090-16	45000	11.20	13.50	1
3043728	24ABS348(A,G)30	CNRH*4821A**	58CV(A,X)110-20	45000	11.20	13.50	1
3043729	24ABS348(A,G)30	CNRH*4821A**	58CV(A,X)135-22	45000	11.20	13.50	1
3043730	24ABS348(A,G)30	CNRH*4821A**	58CV(A,X)155-22	45500	11.20	13.50	1
3113414	24ABS348(A,G)30	CNRH*4821A**	58MEB100-20	46000	11.70	13.50	1
3113415	24ABS348(A,G)30	CNRH*4821A**	58MEB120-20	46000	11.70	13.50	1
3043724	24ABS348(A,G)30	CNRH*4821A**	58MV(B,C)080-20	45000	11.00	13.20	1
3043725	24ABS348(A,G)30	CNRH*4821A**	58MV(B,C)100-20	45000	11.00	13.20	1
3043726	24ABS348(A,G)30	CNRH*4821A**	58MV(B,C)120-20	45000	11.00	13.20	1
3043682	24ABS348(A,G)30	CNRH*4821A**	58PH*090-16	45500	11.50	13.20	1
3043683	24ABS348(A,G)30	CNRH*4821A**	58PH*110-20	45500	11.70	13.50	1
3043684	24ABS348(A,G)30	CNRH*4821A**	58PH*135-20	45500	11.70	13.50	1
3043723	24ABS348(A,G)30	CNRH*4821A**+TDR		46000	11.00	13.00	1
3043735	24ABS348(A,G)30	CNRH*6024A**	58CV(A,X)090-16	46500	11.20	13.50	1
3043736	24ABS348(A,G)30	CNRH*6024A**	58CV(A,X)110-20	46500	11.20	13.50	1
3043737	24ABS348(A,G)30	CNRH*6024A**	58CV(A,X)135-22	46500	11.20	13.50	1
3043738	24ABS348(A,G)30	CNRH*6024A**	58CV(A,X)155-22	47000	11.50	14.00	1
3113416	24ABS348(A,G)30	CNRH*6024A**	58MEB080-16	46500	11.70	13.50	1
3113417	24ABS348(A,G)30	CNRH*6024A**	58MEB100-20	46500	11.70	13.50	1
3113418	24ABS348(A,G)30	CNRH*6024A**	58MEB120-20	46500	12.00	14.00	1
3043732	24ABS348(A,G)30	CNRH*6024A**	58MV(B,C)080-20	46500	11.20	13.50	1
3043733	24ABS348(A,G)30	CNRH*6024A**	58MV(B,C)100-20	46500	11.20	13.50	1
3043734	24ABS348(A,G)30	CNRH*6024A**	58MV(B,C)120-20	46500	11.20	13.50	1
3043685	24ABS348(A,G)30	CNRH*6024A**	58PH*090-16	47000	11.70	13.75	1
3043686	24ABS348(A,G)30	CNRH*6024A**	58PH*110-20	47000	12.00	14.00	1
3043687	24ABS348(A,G)30	CNRH*6024A**	58PH*135-20	47000	11.70	13.75	1
3043731	24ABS348(A,G)30	CNRH*6024A**+TDR		47500	11.00	13.00	1
3043714	24ABS348(A,G)30	CNRV*4821A**	58CV(A,X)110-20	45000	11.20	13.50	1
3113411	24ABS348(A,G)30	CNRV*4821A**	58MEB100-20	46000	11.70	13.50	1
3043712	24ABS348(A,G)30	CNRV*4821A**	58MV(B,C)080-20	45000	11.00	13.20	1
3043713	24ABS348(A,G)30	CNRV*4821A**	58MV(B,C)100-20	45000	11.00	13.20	1
3043678	24ABS348(A,G)30	CNRV*4821A**	58PH*090-16	45500	11.50	13.20	1
3043679	24ABS348(A,G)30	CNRV*4821A**	58PH*110-20	45500	11.70	13.50	1
3043711	24ABS348(A,G)30	CNRV*4821A**+TDR		46000	11.00	13.00	1
3043717	24ABS348(A,G)30	CNRV*4824A**	58CV(A,X)135-22	45500	11.20	13.50	1
3043718	24ABS348(A,G)30	CNRV*4824A**	58CV(A,X)155-22	46000	11.20	13.50	1
3113412	24ABS348(A,G)30	CNRV*4824A**	58MEB120-20	46000	11.70	13.50	1
3043716	24ABS348(A,G)30	CNRV*4824A**	58MV(B,C)120-20	45500	11.00	13.20	1
3043680	24ABS348(A,G)30	CNRV*4824A**	58PH*135-20	45500	11.70	13.50	1
3043715	24ABS348(A,G)30	CNRV*4824A**+TDR		46500	11.00	13.00	1
3043721	24ABS348(A,G)30	CNRV*6024A**	58CV(A,X)135-22	46500	11.20	13.50	1
3043722	24ABS348(A,G)30	CNRV*6024A**	58CV(A,X)155-22	47000	11.50	14.00	1
3113413	24ABS348(A,G)30	CNRV*6024A**	58MEB120-20	47000	12.00	14.00	1
3043720	24ABS348(A,G)30	CNRV*6024A**	58MV(B,C)120-20	46500	11.20	13.50	1
3043681	24ABS348(A,G)30	CNRV*6024A**	58PH*135-20	47000	11.70	13.75	1
3043719	24ABS348(A,G)30	CNRV*6024A**+TDR		47500	11.00	13.00	1
3043744	24ABS348(A,G)30	CSRH*4812A**	58CV(A,X)090-16	45000	11.20	13.50	1
3043745	24ABS348(A,G)30	CSRH*4812A**	58CV(A,X)110-20	45000	11.20	13.50	1
3043746	24ABS348(A,G)30	CSRH*4812A**	58CV(A,X)135-22	45000	11.20	13.50	1
3043747	24ABS348(A,G)30	CSRH*4812A**	58CV(A,X)155-22	45000	11.20	13.50	1
3113419	24ABS348(A,G)30	CSRH*4812A**	58MEB100-20	46000	11.70	13.50	1
3113420	24ABS348(A,G)30	CSRH*4812A**	58MEB120-20	46500	11.70	13.50	1
3043741	24ABS348(A,G)30	CSRH*4812A**	58MV(B,C)080-20	45000	11.00	13.20	1
3043742	24ABS348(A,G)30	CSRH*4812A**	58MV(B,C)100-20	45000	11.00	13.20	1
3043743	24ABS348(A,G)30	CSRH*4812A**	58MV(B,C)120-20	45000	11.00	13.20	1
3043688	24ABS348(A,G)30	CSRH*4812A**	58PH*090-16	45500	11.50	13.20	1
3043689	24ABS348(A,G)30	CSRH*4812A**	58PH*110-20	45500	11.70	13.50	1
3043690	24ABS348(A,G)30	CSRH*4812A**	58PH*135-20	45500	11.70	13.50	1
3043740	24ABS348(A,G)30	CSRH*4812A**+TDR		46000	11.00	13.00	1
3043752	24ABS348(A,G)30	CSRH*6012A**	58CV(A,X)090-16	46500	11.20	13.50	1
3043753	24ABS348(A,G)30	CSRH*6012A**	58CV(A,X)110-20	46500	11.20	13.50	1
3043754	24ABS348(A,G)30	CSRH*6012A**	58CV(A,X)135-22	46500	11.50	14.00	1
3043755	24ABS348(A,G)30	CSRH*6012A**	58CV(A,X)155-22	46500	11.50	14.00	1

24ABS3

See notes on pg. 32

COMBINATION RATINGS CONTINUED

24ABS3

ARI Ref. No.	Model Number	Indoor Model	Furnace Model	Capacity	EER	SEER	Phase
3113421	24ABS348(A,G)30	CSRH*6012A**	58MEB080-16	46500	11.70	13.50	1
3113422	24ABS348(A,G)30	CSRH*6012A**	58MEB100-20	46500	12.00	14.00	1
3113423	24ABS348(A,G)30	CSRH*6012A**	58MEB120-20	46500	12.00	14.00	1
3043749	24ABS348(A,G)30	CSRH*6012A**	58MV(B,C)080-20	46500	11.20	13.50	1
3043750	24ABS348(A,G)30	CSRH*6012A**	58MV(B,C)100-20	46500	11.20	13.50	1
3043751	24ABS348(A,G)30	CSRH*6012A**	58MV(B,C)120-20	46500	11.20	13.50	1
3043691	24ABS348(A,G)30	CSRH*6012A**	58PH*090-16	47000	11.70	13.75	1
3043692	24ABS348(A,G)30	CSRH*6012A**	58PH*110-20	47000	12.00	14.00	1
3043693	24ABS348(A,G)30	CSRH*6012A**	58PH*135-20	47000	11.70	13.75	1
3043748	24ABS348(A,G)30	CSRH*6012A**+TDR		47500	11.00	13.00	1
3043756	24ABS348(A,G)30	FA4CN(F,C)048		47000	11.00	13.00	1
3043757	24ABS348(A,G)30	FA4CN(F,C)060		48000	11.00	13.00	1
3043758	24ABS348(A,G)30	FC4DN(F,B)048		47500	11.20	13.50	1
3043759	24ABS348(A,G)30	FC4DN(F,B)060		48500	11.50	14.00	1
3043760	24ABS348(A,G)30	FK4DN(B,F)005		47000	11.00	14.00	1
3043761	24ABS348(A,G)30	FK4DNB006		47500	11.50	14.00	1
3041500	24ABS348(A,G)50	†CAR**4821A**+TDR		46000	11.00	13.00	3
3041524	24ABS348(A,G)50	CAR**4817A**	58CV(A,X)090-16	44500	11.00	13.20	3
3041523	24ABS348(A,G)50	CAR**4817A**+TDR		45000	11.00	13.00	3
3041527	24ABS348(A,G)50	CAR**4821A**	58CV(A,X)110-20	45500	11.00	13.20	3
3124646	24ABS348(A,G)50	CAR**4821A**	58MEB100-20	45500	11.70	13.50	3
3041525	24ABS348(A,G)50	CAR**4821A**	58MV(B,C)080-20	45000	11.00	13.20	3
3041526	24ABS348(A,G)50	CAR**4821A**	58MV(B,C)100-20	45500	11.80	13.20	3
3041501	24ABS348(A,G)50	CAR**4821A**	58PH*090-16	45500	11.50	13.25	3
3041502	24ABS348(A,G)50	CAR**4821A**	58PH*110-20	45500	11.70	13.50	3
3041530	24ABS348(A,G)50	CAR**4824A**	58CV(A,X)135-22	45500	11.20	13.50	3
3041531	24ABS348(A,G)50	CAR**4824A**	58CV(A,X)155-22	45500	11.50	14.00	3
3124647	24ABS348(A,G)50	CAR**4824A**	58MEB120-20	46000	11.70	13.50	3
3041529	24ABS348(A,G)50	CAR**4824A**	58MV(B,C)120-20	45000	11.00	13.20	3
3041503	24ABS348(A,G)50	CAR**4824A**	58PH*135-20	45500	11.70	13.50	3
3041528	24ABS348(A,G)50	CAR**4824A**+TDR		46500	11.00	13.00	3
3041535	24ABS348(A,G)50	CAR**6021A**	58CV(A,X)110-20	46500	11.20	13.50	3
3124648	24ABS348(A,G)50	CAR**6021A**	58MEB100-20	47000	12.00	14.00	3
3041533	24ABS348(A,G)50	CAR**6021A**	58MV(B,C)080-20	46500	11.20	13.50	3
3041534	24ABS348(A,G)50	CAR**6021A**	58MV(B,C)100-20	46500	11.20	13.50	3
3041504	24ABS348(A,G)50	CAR**6021A**	58PH*090-16	46500	11.70	13.75	3
3041505	24ABS348(A,G)50	CAR**6021A**	58PH*110-20	46500	12.00	14.00	3
3041532	24ABS348(A,G)50	CAR**6021A**+TDR		47500	11.00	13.00	3
3041538	24ABS348(A,G)50	CAR**6024A**	58CV(A,X)135-22	46500	11.20	13.50	3
3041539	24ABS348(A,G)50	CAR**6024A**	58CV(A,X)155-22	47000	11.50	14.00	3
3124649	24ABS348(A,G)50	CAR**6024A**	58MEB120-20	47000	12.00	14.00	3
3041537	24ABS348(A,G)50	CAR**6024A**	58MV(B,C)120-20	46500	11.20	13.50	3
3041506	24ABS348(A,G)50	CAR**6024A**	58PH*135-20	47000	11.70	13.75	3
3041536	24ABS348(A,G)50	CAR**6024A**+TDR		47500	11.00	13.00	3
3041568	24ABS348(A,G)50	CNRH*4818A**+TDR		45000	11.00	13.00	3
3041556	24ABS348(A,G)50	CNRH*4821A**	58CV(A,X)090-16	45000	11.20	13.50	3
3041557	24ABS348(A,G)50	CNRH*4821A**	58CV(A,X)110-20	45000	11.20	13.50	3
3041558	24ABS348(A,G)50	CNRH*4821A**	58CV(A,X)135-22	45000	11.20	13.50	3
3041559	24ABS348(A,G)50	CNRH*4821A**	58CV(A,X)155-22	45500	11.20	13.50	3
3124653	24ABS348(A,G)50	CNRH*4821A**	58MEB100-20	46000	11.70	13.50	3
3124654	24ABS348(A,G)50	CNRH*4821A**	58MEB120-20	46000	11.70	13.50	3
3041553	24ABS348(A,G)50	CNRH*4821A**	58MV(B,C)080-20	45000	11.00	13.20	3
3041554	24ABS348(A,G)50	CNRH*4821A**	58MV(B,C)100-20	45000	11.00	13.20	3
3041555	24ABS348(A,G)50	CNRH*4821A**	58MV(B,C)120-20	45000	11.00	13.20	3
3041511	24ABS348(A,G)50	CNRH*4821A**	58PH*090-16	45500	11.50	13.20	3
3041512	24ABS348(A,G)50	CNRH*4821A**	58PH*110-20	45500	11.70	13.50	3
3041513	24ABS348(A,G)50	CNRH*4821A**	58PH*135-20	45500	11.70	13.50	3
3041552	24ABS348(A,G)50	CNRH*4821A**+TDR		46000	11.00	13.00	3
3041564	24ABS348(A,G)50	CNRH*6024A**	58CV(A,X)090-16	46500	11.20	13.50	3
3041565	24ABS348(A,G)50	CNRH*6024A**	58CV(A,X)110-20	46500	11.20	13.50	3
3041566	24ABS348(A,G)50	CNRH*6024A**	58CV(A,X)135-22	46500	11.20	13.50	3
3041567	24ABS348(A,G)50	CNRH*6024A**	58CV(A,X)155-22	47000	11.50	14.00	3
3124655	24ABS348(A,G)50	CNRH*6024A**	58MEB080-16	46500	11.70	13.50	3
3124656	24ABS348(A,G)50	CNRH*6024A**	58MEB100-20	46500	11.70	13.50	3
3124657	24ABS348(A,G)50	CNRH*6024A**	58MEB120-20	46500	12.00	14.00	3
3041561	24ABS348(A,G)50	CNRH*6024A**	58MV(B,C)080-20	46500	11.20	13.50	3
3041562	24ABS348(A,G)50	CNRH*6024A**	58MV(B,C)100-20	46500	11.20	13.50	3
3041563	24ABS348(A,G)50	CNRH*6024A**	58MV(B,C)120-20	46500	11.20	13.50	3
3041514	24ABS348(A,G)50	CNRH*6024A**	58PH*090-16	47000	11.70	13.75	3
3041515	24ABS348(A,G)50	CNRH*6024A**	58PH*110-20	47000	12.00	14.00	3
3041516	24ABS348(A,G)50	CNRH*6024A**	58PH*135-20	47000	11.70	13.75	3
3041560	24ABS348(A,G)50	CNRH*6024A**+TDR		47500	11.00	13.00	3

See notes on pg. 32

COMBINATION RATINGS CONTINUED

ARI Ref. No.	Model Number	Indoor Model	Furnace Model	Capacity	EER	SEER	Phase
3041543	24ABS348(A,G)50	CNRV*4821A**	58CV(A,X)110-20	45000	11.20	13.50	3
3124650	24ABS348(A,G)50	CNRV*4821A**	58MEB100-20	46000	11.70	13.50	3
3041541	24ABS348(A,G)50	CNRV*4821A**	58MV(B,C)080-20	45000	11.00	13.20	3
3041542	24ABS348(A,G)50	CNRV*4821A**	58MV(B,C)100-20	45000	11.00	13.20	3
3041507	24ABS348(A,G)50	CNRV*4821A**	58PH*090-16	45500	11.50	13.20	3
3041508	24ABS348(A,G)50	CNRV*4821A**	58PH*110-20	45500	11.70	13.50	3
3041540	24ABS348(A,G)50	CNRV*4821A**+TDR		46000	11.00	13.00	3
3041546	24ABS348(A,G)50	CNRV*4824A**	58CV(A,X)135-22	45500	11.20	13.50	3
3041547	24ABS348(A,G)50	CNRV*4824A**	58CV(A,X)155-22	46000	11.20	13.50	3
3124651	24ABS348(A,G)50	CNRV*4824A**	58MEB120-20	46000	11.70	13.50	3
3041545	24ABS348(A,G)50	CNRV*4824A**	58MV(B,C)120-20	45500	11.00	13.20	3
3041509	24ABS348(A,G)50	CNRV*4824A**	58PH*135-20	45500	11.70	13.50	3
3041544	24ABS348(A,G)50	CNRV*4824A**+TDR		46500	11.00	13.00	3
3041550	24ABS348(A,G)50	CNRV*6024A**	58CV(A,X)135-22	46500	11.20	13.50	3
3041551	24ABS348(A,G)50	CNRV*6024A**	58CV(A,X)155-22	47000	11.50	14.00	3
3124652	24ABS348(A,G)50	CNRV*6024A**	58MEB120-20	47000	12.00	14.00	3
3041549	24ABS348(A,G)50	CNRV*6024A**	58MV(B,C)120-20	46500	11.20	13.50	3
3041510	24ABS348(A,G)50	CNRV*6024A**	58PH*135-20	47000	11.70	13.75	3
3041548	24ABS348(A,G)50	CNRV*6024A**+TDR		47500	11.00	13.00	3
3041573	24ABS348(A,G)50	CSRH*4812A**	58CV(A,X)090-16	45000	11.20	13.50	3
3041574	24ABS348(A,G)50	CSRH*4812A**	58CV(A,X)110-20	45000	11.20	13.50	3
3041575	24ABS348(A,G)50	CSRH*4812A**	58CV(A,X)135-22	45000	11.20	13.50	3
3041576	24ABS348(A,G)50	CSRH*4812A**	58CV(A,X)155-22	45000	11.20	13.50	3
3124658	24ABS348(A,G)50	CSRH*4812A**	58MEB100-20	46000	11.70	13.50	3
3124659	24ABS348(A,G)50	CSRH*4812A**	58MEB120-20	46500	11.70	13.50	3
3041570	24ABS348(A,G)50	CSRH*4812A**	58MV(B,C)080-20	45000	11.00	13.20	3
3041571	24ABS348(A,G)50	CSRH*4812A**	58MV(B,C)100-20	45000	11.00	13.20	3
3041572	24ABS348(A,G)50	CSRH*4812A**	58MV(B,C)120-20	45000	11.00	13.20	3
3041517	24ABS348(A,G)50	CSRH*4812A**	58PH*090-16	45500	11.50	13.20	3
3041518	24ABS348(A,G)50	CSRH*4812A**	58PH*110-20	45500	11.70	13.50	3
3041519	24ABS348(A,G)50	CSRH*4812A**	58PH*135-20	45500	11.70	13.50	3
3041569	24ABS348(A,G)50	CSRH*4812A**+TDR		46000	11.00	13.00	3
3041581	24ABS348(A,G)50	CSRH*6012A**	58CV(A,X)090-16	46500	11.20	13.50	3
3041582	24ABS348(A,G)50	CSRH*6012A**	58CV(A,X)110-20	46500	11.20	13.50	3
3041583	24ABS348(A,G)50	CSRH*6012A**	58CV(A,X)135-22	46500	11.50	14.00	3
3041584	24ABS348(A,G)50	CSRH*6012A**	58CV(A,X)155-22	46500	11.50	14.00	3
3124660	24ABS348(A,G)50	CSRH*6012A**	58MEB080-16	46500	11.70	13.50	3
3124661	24ABS348(A,G)50	CSRH*6012A**	58MEB100-20	46500	12.00	14.00	3
3124662	24ABS348(A,G)50	CSRH*6012A**	58MEB120-20	46500	12.00	14.00	3
3041578	24ABS348(A,G)50	CSRH*6012A**	58MV(B,C)080-20	46500	11.20	13.50	3
3041579	24ABS348(A,G)50	CSRH*6012A**	58MV(B,C)100-20	46500	11.20	13.50	3
3041580	24ABS348(A,G)50	CSRH*6012A**	58MV(B,C)120-20	46500	11.20	13.50	3
3041520	24ABS348(A,G)50	CSRH*6012A**	58PH*090-16	47000	11.70	13.75	3
3041521	24ABS348(A,G)50	CSRH*6012A**	58PH*110-20	47000	12.00	14.00	3
3041522	24ABS348(A,G)50	CSRH*6012A**	58PH*135-20	47000	11.70	13.75	3
3041577	24ABS348(A,G)50	CSRH*6012A**+TDR		47500	11.00	13.00	3
3041585	24ABS348(A,G)50	FA4CN(F,C)048		47000	11.00	13.00	3
3041586	24ABS348(A,G)50	FA4CN(F,C)060		48000	11.00	13.00	3
3041587	24ABS348(A,G)50	FC4DN(F,B)048		47500	11.20	13.50	3
3041588	24ABS348(A,G)50	FC4DN(F,B)060		48500	11.50	14.00	3
3041589	24ABS348(A,G)50	FK4DN(B,F)005		47000	11.50	14.00	3
3041590	24ABS348(A,G)50	FK4DNB006		47500	11.50	14.00	3
3041591	24ABS348(A,G)60	†CAR**4821A**+TDR		46000	11.00	13.00	3
3041615	24ABS348(A,G)60	CAR**4817A**	58CV(A,X)090-16	44500	11.00	13.20	3
3041614	24ABS348(A,G)60	CAR**4817A**+TDR		45000	11.00	13.00	3
3041618	24ABS348(A,G)60	CAR**4821A**	58CV(A,X)110-20	45500	11.00	13.20	3
3124737	24ABS348(A,G)60	CAR**4821A**	58MEB100-20	45500	11.70	13.50	3
3041616	24ABS348(A,G)60	CAR**4821A**	58MV(B,C)080-20	45000	11.00	13.20	3
3041617	24ABS348(A,G)60	CAR**4821A**	58MV(B,C)100-20	45500	11.80	13.20	3
3041592	24ABS348(A,G)60	CAR**4821A**	58PH*090-16	45500	11.50	13.25	3
3041593	24ABS348(A,G)60	CAR**4821A**	58PH*110-20	45500	11.70	13.50	3
3041621	24ABS348(A,G)60	CAR**4824A**	58CV(A,X)135-22	45500	11.20	13.50	3
3041622	24ABS348(A,G)60	CAR**4824A**	58CV(A,X)155-22	45500	11.50	14.00	3
3124738	24ABS348(A,G)60	CAR**4824A**	58MEB120-20	46000	11.70	13.50	3
3041620	24ABS348(A,G)60	CAR**4824A**	58MV(B,C)120-20	45000	11.00	13.20	3
3041594	24ABS348(A,G)60	CAR**4824A**	58PH*135-20	45500	11.70	13.50	3
3041619	24ABS348(A,G)60	CAR**4824A**+TDR		46500	11.00	13.00	3
3041626	24ABS348(A,G)60	CAR**6021A**	58CV(A,X)110-20	46500	11.20	13.50	3
3124739	24ABS348(A,G)60	CAR**6021A**	58MEB100-20	47000	12.00	14.00	3
3041624	24ABS348(A,G)60	CAR**6021A**	58MV(B,C)080-20	46500	11.20	13.50	3
3041625	24ABS348(A,G)60	CAR**6021A**	58MV(B,C)100-20	46500	11.20	13.50	3
3041595	24ABS348(A,G)60	CAR**6021A**	58PH*090-16	46500	11.70	13.75	3

See notes on pg. 32

24ABS3

COMBINATION RATINGS CONTINUED

24ABS3

ARI Ref. No.	Model Number	Indoor Model	Furnace Model	Capacity	EER	SEER	Phase
3041596	24ABS348(A,G)60	CAR**6021A**	58PH*110-20	46500	12.00	14.00	3
3041623	24ABS348(A,G)60	CAR**6021A**+TDR		47500	11.00	13.00	3
3041629	24ABS348(A,G)60	CAR**6024A**	58CV(A,X)135-22	46500	11.20	13.50	3
3041630	24ABS348(A,G)60	CAR**6024A**	58CV(A,X)155-22	47000	11.50	14.00	3
3124740	24ABS348(A,G)60	CAR**6024A**	58MEB120-20	47000	12.00	14.00	3
3041628	24ABS348(A,G)60	CAR**6024A**	58MV(B,C)120-20	46500	11.20	13.50	3
3041597	24ABS348(A,G)60	CAR**6024A**	58PH*135-20	47000	11.70	13.75	3
3041627	24ABS348(A,G)60	CAR**6024A**+TDR		47500	11.00	13.00	3
3041659	24ABS348(A,G)60	CNRH*4818A**+TDR		45000	11.00	13.00	3
3041647	24ABS348(A,G)60	CNRH*4821A**	58CV(A,X)090-16	45000	11.20	13.50	3
3041648	24ABS348(A,G)60	CNRH*4821A**	58CV(A,X)110-20	45000	11.20	13.50	3
3041649	24ABS348(A,G)60	CNRH*4821A**	58CV(A,X)135-22	45000	11.20	13.50	3
3041650	24ABS348(A,G)60	CNRH*4821A**	58CV(A,X)155-22	45500	11.20	13.50	3
3124744	24ABS348(A,G)60	CNRH*4821A**	58MEB100-20	46000	11.70	13.50	3
3124745	24ABS348(A,G)60	CNRH*4821A**	58MEB120-20	46000	11.70	13.50	3
3041644	24ABS348(A,G)60	CNRH*4821A**	58MV(B,C)080-20	45000	11.00	13.20	3
3041645	24ABS348(A,G)60	CNRH*4821A**	58MV(B,C)100-20	45000	11.00	13.20	3
3041646	24ABS348(A,G)60	CNRH*4821A**	58MV(B,C)120-20	45000	11.00	13.20	3
3041602	24ABS348(A,G)60	CNRH*4821A**	58PH*090-16	45500	11.50	13.20	3
3041603	24ABS348(A,G)60	CNRH*4821A**	58PH*110-20	45500	11.70	13.50	3
3041604	24ABS348(A,G)60	CNRH*4821A**	58PH*135-20	45500	11.70	13.50	3
3041643	24ABS348(A,G)60	CNRH*4821A**+TDR		46000	11.00	13.00	3
3041655	24ABS348(A,G)60	CNRH*6024A**	58CV(A,X)090-16	46500	11.20	13.50	3
3041656	24ABS348(A,G)60	CNRH*6024A**	58CV(A,X)110-20	46500	11.20	13.50	3
3041657	24ABS348(A,G)60	CNRH*6024A**	58CV(A,X)135-22	46500	11.20	13.50	3
3041658	24ABS348(A,G)60	CNRH*6024A**	58CV(A,X)155-22	47000	11.50	14.00	3
3124746	24ABS348(A,G)60	CNRH*6024A**	58MEB080-16	46500	11.70	13.50	3
3124747	24ABS348(A,G)60	CNRH*6024A**	58MEB100-20	46500	11.70	13.50	3
3124748	24ABS348(A,G)60	CNRH*6024A**	58MEB120-20	46500	12.00	14.00	3
3041652	24ABS348(A,G)60	CNRH*6024A**	58MV(B,C)080-20	46500	11.20	13.50	3
3041653	24ABS348(A,G)60	CNRH*6024A**	58MV(B,C)100-20	46500	11.20	13.50	3
3041654	24ABS348(A,G)60	CNRH*6024A**	58MV(B,C)120-20	46500	11.20	13.50	3
3041605	24ABS348(A,G)60	CNRH*6024A**	58PH*090-16	47000	11.70	13.75	3
3041606	24ABS348(A,G)60	CNRH*6024A**	58PH*110-20	47000	12.00	14.00	3
3041607	24ABS348(A,G)60	CNRH*6024A**	58PH*135-20	47000	11.70	13.75	3
3041651	24ABS348(A,G)60	CNRH*6024A**+TDR		47500	11.00	13.00	3
3041634	24ABS348(A,G)60	CNRV*4821A**	58CV(A,X)110-20	45000	11.20	13.50	3
3124741	24ABS348(A,G)60	CNRV*4821A**	58MEB100-20	46000	11.70	13.50	3
3041632	24ABS348(A,G)60	CNRV*4821A**	58MV(B,C)080-20	45000	11.00	13.20	3
3041633	24ABS348(A,G)60	CNRV*4821A**	58MV(B,C)100-20	45000	11.00	13.20	3
3041598	24ABS348(A,G)60	CNRV*4821A**	58PH*090-16	45500	11.50	13.20	3
3041599	24ABS348(A,G)60	CNRV*4821A**	58PH*110-20	45500	11.70	13.50	3
3041631	24ABS348(A,G)60	CNRV*4821A**+TDR		46000	11.00	13.00	3
3041637	24ABS348(A,G)60	CNRV*4824A**	58CV(A,X)135-22	45500	11.20	13.50	3
3041638	24ABS348(A,G)60	CNRV*4824A**	58CV(A,X)155-22	46000	11.20	13.50	3
3124742	24ABS348(A,G)60	CNRV*4824A**	58MEB120-20	46000	11.70	13.50	3
3041636	24ABS348(A,G)60	CNRV*4824A**	58MV(B,C)120-20	45500	11.00	13.20	3
3041600	24ABS348(A,G)60	CNRV*4824A**	58PH*135-20	45500	11.70	13.50	3
3041635	24ABS348(A,G)60	CNRV*4824A**+TDR		46500	11.00	13.00	3
3041641	24ABS348(A,G)60	CNRV*6024A**	58CV(A,X)135-22	46500	11.20	13.50	3
3041642	24ABS348(A,G)60	CNRV*6024A**	58CV(A,X)155-22	47000	11.50	14.00	3
3124743	24ABS348(A,G)60	CNRV*6024A**	58MEB120-20	47000	12.00	14.00	3
3041640	24ABS348(A,G)60	CNRV*6024A**	58MV(B,C)120-20	46500	11.20	13.50	3
3041601	24ABS348(A,G)60	CNRV*6024A**	58PH*135-20	47000	11.70	13.75	3
3041639	24ABS348(A,G)60	CNRV*6024A**+TDR		47500	11.00	13.00	3
3041664	24ABS348(A,G)60	CSRH*4812A**	58CV(A,X)090-16	45000	11.20	13.50	3
3041665	24ABS348(A,G)60	CSRH*4812A**	58CV(A,X)110-20	45000	11.20	13.50	3
3041666	24ABS348(A,G)60	CSRH*4812A**	58CV(A,X)135-22	45000	11.20	13.50	3
3041667	24ABS348(A,G)60	CSRH*4812A**	58CV(A,X)155-22	45000	11.20	13.50	3
3124749	24ABS348(A,G)60	CSRH*4812A**	58MEB100-20	46000	11.70	13.50	3
3124750	24ABS348(A,G)60	CSRH*4812A**	58MEB120-20	46500	11.70	13.50	3
3041661	24ABS348(A,G)60	CSRH*4812A**	58MV(B,C)080-20	45000	11.00	13.20	3
3041662	24ABS348(A,G)60	CSRH*4812A**	58MV(B,C)100-20	45000	11.00	13.20	3
3041663	24ABS348(A,G)60	CSRH*4812A**	58MV(B,C)120-20	45000	11.00	13.20	3
3041608	24ABS348(A,G)60	CSRH*4812A**	58PH*090-16	45500	11.50	13.20	3
3041609	24ABS348(A,G)60	CSRH*4812A**	58PH*110-20	45500	11.70	13.50	3
3041610	24ABS348(A,G)60	CSRH*4812A**	58PH*135-20	45500	11.70	13.50	3
3041660	24ABS348(A,G)60	CSRH*4812A**+TDR		46000	11.00	13.00	3
3041672	24ABS348(A,G)60	CSRH*6012A**	58CV(A,X)090-16	46500	11.20	13.50	3
3041673	24ABS348(A,G)60	CSRH*6012A**	58CV(A,X)110-20	46500	11.20	13.50	3
3041674	24ABS348(A,G)60	CSRH*6012A**	58CV(A,X)135-22	46500	11.50	14.00	3
3041675	24ABS348(A,G)60	CSRH*6012A**	58CV(A,X)155-22	46500	11.50	14.00	3
3124751	24ABS348(A,G)60	CSRH*6012A**	58MEB080-16	46500	11.70	13.50	3

See notes on pg. 32

COMBINATION RATINGS CONTINUED

ARI Ref. No.	Model Number	Indoor Model	Furnace Model	Capacity	EER	SEER	Phase
3124752	24ABS348(A,G)60	CSRH*6012A**	58MEB100-20	46500	12.00	14.00	3
3124753	24ABS348(A,G)60	CSRH*6012A**	58MEB120-20	46500	12.00	14.00	3
3041669	24ABS348(A,G)60	CSRH*6012A**	58MV(B,C)080-20	46500	11.20	13.50	3
3041670	24ABS348(A,G)60	CSRH*6012A**	58MV(B,C)100-20	46500	11.20	13.50	3
3041671	24ABS348(A,G)60	CSRH*6012A**	58MV(B,C)120-20	46500	11.20	13.50	3
3041611	24ABS348(A,G)60	CSRH*6012A**	58PH*090-16	47000	11.70	13.75	3
3041612	24ABS348(A,G)60	CSRH*6012A**	58PH*110-20	47000	12.00	14.00	3
3041613	24ABS348(A,G)60	CSRH*6012A**	58PH*135-20	47000	11.70	13.75	3
3041668	24ABS348(A,G)60	CSRH*6012A**+TDR		47500	11.00	13.00	3
3041676	24ABS348(A,G)60	FA4CN(F,C)048		47000	11.00	13.00	3
3041677	24ABS348(A,G)60	FA4CN(F,C)060		48000	11.00	13.00	3
3041678	24ABS348(A,G)60	FC4DN(F,B)048		47500	11.20	13.50	3
3041679	24ABS348(A,G)60	FC4DN(F,B)060		48500	11.50	14.00	3
3041680	24ABS348(A,G)60	FK4DN(B,F)005		47000	11.50	14.00	3
3041681	24ABS348(A,G)60	FK4DNB006		47500	11.50	14.00	3
3044590	24ABS348A10	†CAR**4821A**+TDR		46000	11.00	13.00	3
3044614	24ABS348A10	CAR**4817A**	58CV(A,X)090-16	44500	11.00	13.20	3
3044613	24ABS348A10	CAR**4817A**+TDR		45000	11.00	13.00	3
3044617	24ABS348A10	CAR**4821A**	58CV(A,X)110-20	45500	11.00	13.20	3
3044615	24ABS348A10	CAR**4821A**	58MV(B,C)080-20	45000	11.00	13.20	3
3044616	24ABS348A10	CAR**4821A**	58MV(B,C)100-20	45500	11.80	13.20	3
3044591	24ABS348A10	CAR**4821A**	58PH*090-16	45500	11.50	13.25	3
3044592	24ABS348A10	CAR**4821A**	58PH*110-20	45500	11.70	13.50	3
3044620	24ABS348A10	CAR**4824A**	58CV(A,X)135-22	45500	11.20	13.50	3
3044621	24ABS348A10	CAR**4824A**	58CV(A,X)155-22	45500	11.50	14.00	3
3044619	24ABS348A10	CAR**4824A**	58MV(B,C)120-20	45000	11.00	13.20	3
3044593	24ABS348A10	CAR**4824A**	58PH*135-20	45500	11.70	13.50	3
3044618	24ABS348A10	CAR**4824A**+TDR		46500	11.00	13.00	3
3044625	24ABS348A10	CAR**6021A**	58CV(A,X)110-20	46500	11.20	13.50	3
3044623	24ABS348A10	CAR**6021A**	58MV(B,C)080-20	46500	11.20	13.50	3
3044624	24ABS348A10	CAR**6021A**	58MV(B,C)100-20	46500	11.20	13.50	3
3044594	24ABS348A10	CAR**6021A**	58PH*090-16	46500	11.70	13.75	3
3044595	24ABS348A10	CAR**6021A**	58PH*110-20	46500	12.00	14.00	3
3044622	24ABS348A10	CAR**6021A**+TDR		47500	11.00	13.00	3
3044628	24ABS348A10	CAR**6024A**	58CV(A,X)135-22	46500	11.20	13.50	3
3044629	24ABS348A10	CAR**6024A**	58CV(A,X)155-22	47000	11.50	14.00	3
3044627	24ABS348A10	CAR**6024A**	58MV(B,C)120-20	46500	11.20	13.50	3
3044596	24ABS348A10	CAR**6024A**	58PH*135-20	47000	11.70	13.75	3
3044626	24ABS348A10	CAR**6024A**+TDR		47500	11.00	13.00	3
3044658	24ABS348A10	CNRH*4818A**+TDR		45000	11.00	13.00	3
3044646	24ABS348A10	CNRH*4821A**	58CV(A,X)090-16	45000	11.20	13.50	3
3044647	24ABS348A10	CNRH*4821A**	58CV(A,X)110-20	45000	11.20	13.50	3
3044648	24ABS348A10	CNRH*4821A**	58CV(A,X)135-22	45000	11.20	13.50	3
3044649	24ABS348A10	CNRH*4821A**	58CV(A,X)155-22	45500	11.20	13.50	3
3044643	24ABS348A10	CNRH*4821A**	58MV(B,C)080-20	45000	11.00	13.20	3
3044644	24ABS348A10	CNRH*4821A**	58MV(B,C)100-20	45000	11.00	13.20	3
3044645	24ABS348A10	CNRH*4821A**	58MV(B,C)120-20	45000	11.00	13.20	3
3044601	24ABS348A10	CNRH*4821A**	58PH*090-16	45500	11.50	13.20	3
3044602	24ABS348A10	CNRH*4821A**	58PH*110-20	45500	11.70	13.50	3
3044603	24ABS348A10	CNRH*4821A**	58PH*135-20	45500	11.70	13.50	3
3044642	24ABS348A10	CNRH*4821A**+TDR		46000	11.00	13.00	3
3044654	24ABS348A10	CNRH*6024A**	58CV(A,X)090-16	46500	11.20	13.50	3
3044655	24ABS348A10	CNRH*6024A**	58CV(A,X)110-20	46500	11.20	13.50	3
3044656	24ABS348A10	CNRH*6024A**	58CV(A,X)135-22	46500	11.20	13.50	3
3044657	24ABS348A10	CNRH*6024A**	58CV(A,X)155-22	47000	11.50	14.00	3
3044651	24ABS348A10	CNRH*6024A**	58MV(B,C)080-20	46500	11.20	13.50	3
3044652	24ABS348A10	CNRH*6024A**	58MV(B,C)100-20	46500	11.20	13.50	3
3044653	24ABS348A10	CNRH*6024A**	58MV(B,C)120-20	46500	11.20	13.50	3
3044604	24ABS348A10	CNRH*6024A**	58PH*090-16	47000	11.70	13.75	3
3044605	24ABS348A10	CNRH*6024A**	58PH*110-20	47000	12.00	14.00	3
3044606	24ABS348A10	CNRH*6024A**	58PH*135-20	47000	11.70	13.75	3
3044650	24ABS348A10	CNRH*6024A**+TDR		47500	11.00	13.00	3
3044633	24ABS348A10	CNRV*4821A**	58CV(A,X)110-20	45000	11.20	13.50	3
3044631	24ABS348A10	CNRV*4821A**	58MV(B,C)080-20	45000	11.00	13.20	3
3044632	24ABS348A10	CNRV*4821A**	58MV(B,C)100-20	45000	11.00	13.20	3
3044597	24ABS348A10	CNRV*4821A**	58PH*090-16	45500	11.50	13.20	3
3044598	24ABS348A10	CNRV*4821A**	58PH*110-20	45500	11.70	13.50	3
3044630	24ABS348A10	CNRV*4821A**+TDR		46000	11.00	13.00	3
3044636	24ABS348A10	CNRV*4824A**	58CV(A,X)135-22	45500	11.20	13.50	3
3044637	24ABS348A10	CNRV*4824A**	58CV(A,X)155-22	46000	11.20	13.50	3
3044635	24ABS348A10	CNRV*4824A**	58MV(B,C)120-20	45500	11.00	13.20	3
3044599	24ABS348A10	CNRV*4824A**	58PH*135-20	45500	11.70	13.50	3

See notes on pg. 32

24ABS3

COMBINATION RATINGS CONTINUED

ARI Ref. No.	Model Number	Indoor Model	Furnace Model	Capacity	EER	SEER	Phase
3044634	24ABS348A10	CNRV*4824A**+TDR		46500	11.00	13.00	3
3044640	24ABS348A10	CNRV*6024A**	58CV(A,X)135-22	46500	11.20	13.50	3
3044641	24ABS348A10	CNRV*6024A**	58CV(A,X)155-22	47000	11.50	14.00	3
3044639	24ABS348A10	CNRV*6024A**	58MV(B,C)120-20	46500	11.20	13.50	3
3044600	24ABS348A10	CNRV*6024A**	58PH*135-20	47000	11.70	13.75	3
3044638	24ABS348A10	CNRV*6024A**+TDR		47500	11.00	13.00	3
3044663	24ABS348A10	CSRH*4812A**	58CV(A,X)090-16	45000	11.20	13.50	3
3044664	24ABS348A10	CSRH*4812A**	58CV(A,X)110-20	45000	11.20	13.50	3
3044665	24ABS348A10	CSRH*4812A**	58CV(A,X)135-22	45000	11.20	13.50	3
3044666	24ABS348A10	CSRH*4812A**	58CV(A,X)155-22	45000	11.20	13.50	3
3044660	24ABS348A10	CSRH*4812A**	58MV(B,C)080-20	45000	11.00	13.20	3
3044661	24ABS348A10	CSRH*4812A**	58MV(B,C)100-20	45000	11.00	13.20	3
3044662	24ABS348A10	CSRH*4812A**	58MV(B,C)120-20	45000	11.00	13.20	3
3044607	24ABS348A10	CSRH*4812A**	58PH*090-16	45500	11.50	13.20	3
3044608	24ABS348A10	CSRH*4812A**	58PH*110-20	45500	11.70	13.50	3
3044609	24ABS348A10	CSRH*4812A**	58PH*135-20	45500	11.70	13.50	3
3044659	24ABS348A10	CSRH*4812A**+TDR		46000	11.00	13.00	3
3044671	24ABS348A10	CSRH*6012A**	58CV(A,X)090-16	46500	11.20	13.50	3
3044672	24ABS348A10	CSRH*6012A**	58CV(A,X)110-20	46500	11.20	13.50	3
3044673	24ABS348A10	CSRH*6012A**	58CV(A,X)135-22	46500	11.50	14.00	3
3044674	24ABS348A10	CSRH*6012A**	58CV(A,X)155-22	46500	11.50	14.00	3
3044668	24ABS348A10	CSRH*6012A**	58MV(B,C)080-20	46500	11.20	13.50	3
3044669	24ABS348A10	CSRH*6012A**	58MV(B,C)100-20	46500	11.20	13.50	3
3044670	24ABS348A10	CSRH*6012A**	58MV(B,C)120-20	46500	11.20	13.50	3
3044610	24ABS348A10	CSRH*6012A**	58PH*090-16	47000	11.70	13.75	3
3044611	24ABS348A10	CSRH*6012A**	58PH*110-20	47000	12.00	14.00	3
3044612	24ABS348A10	CSRH*6012A**	58PH*135-20	47000	11.70	13.75	3
3044667	24ABS348A10	CSRH*6012A**+TDR		47500	11.00	13.00	3
3044675	24ABS348A10	FA4CN(F,C)048		47000	11.00	13.00	3
3044676	24ABS348A10	FA4CN(F,C)060		48000	11.00	13.00	3
3044677	24ABS348A10	FC4DN(F,B)048		47500	11.20	13.50	3
3044678	24ABS348A10	FC4DN(F,B)060		48500	11.50	14.00	3
3044679	24ABS348A10	FK4DN(B,F)005		47000	11.50	14.00	3
3044680	24ABS348A10	FK4DNB006		47500	11.50	14.00	3
3043762	24ABS360(A,G)30	†CAR**6024A**+TDR		56000	11.00	13.00	1
3113424	24ABS360(A,G)30	CAR**6021A**	58MEB100-20	55500	11.00	13.25	1
3043763	24ABS360(A,G)30	CAR**6021A**	58PH*090-16	54500	11.00	13.00	1
3043764	24ABS360(A,G)30	CAR**6021A**	58PH*110-20	55000	11.20	13.25	1
3043773	24ABS360(A,G)30	CAR**6021A**+TDR		55500	11.00	13.00	1
3043774	24ABS360(A,G)30	CAR**6024A**	58CV(A,X)135-22	55000	11.20	13.20	1
3043775	24ABS360(A,G)30	CAR**6024A**	58CV(A,X)155-22	56000	11.20	13.20	1
3113425	24ABS360(A,G)30	CAR**6024A**	58MEB120-20	55500	11.00	13.50	1
3043765	24ABS360(A,G)30	CAR**6024A**	58PH*135-20	55500	11.20	13.25	1
3043778	24ABS360(A,G)30	CNRH*6024A**	58CV(A,X)135-22	55000	11.20	13.20	1
3043779	24ABS360(A,G)30	CNRH*6024A**	58CV(A,X)155-22	55500	11.50	13.50	1
3113427	24ABS360(A,G)30	CNRH*6024A**	58MEB100-20	55500	11.00	13.25	1
3113428	24ABS360(A,G)30	CNRH*6024A**	58MEB120-20	55500	11.00	13.50	1
3043767	24ABS360(A,G)30	CNRH*6024A**	58PH*090-16	55000	11.00	13.00	1
3043768	24ABS360(A,G)30	CNRH*6024A**	58PH*110-20	55500	11.20	13.25	1
3043769	24ABS360(A,G)30	CNRH*6024A**	58PH*135-20	55500	11.20	13.25	1
3089287	24ABS360(A,G)30	CNRH*6024A**+TDR		56000	11.00	13.00	1
3043776	24ABS360(A,G)30	CNRV*6024A**	58CV(A,X)135-22	55500	11.00	13.20	1
3043777	24ABS360(A,G)30	CNRV*6024A**	58CV(A,X)155-22	55500	11.50	13.50	1
3113426	24ABS360(A,G)30	CNRV*6024A**	58MEB120-20	55500	11.00	13.50	1
3043766	24ABS360(A,G)30	CNRV*6024A**	58PH*135-20	55500	11.20	13.25	1
3089286	24ABS360(A,G)30	CNRV*6024A**+TDR		56000	11.00	13.00	1
3043780	24ABS360(A,G)30	CSRH*6012A**	58CV(A,X)135-22	56000	11.20	13.20	1
3043781	24ABS360(A,G)30	CSRH*6012A**	58CV(A,X)155-22	56000	11.50	13.50	1
3113429	24ABS360(A,G)30	CSRH*6012A**	58MEB100-20	56000	11.00	13.50	1
3113430	24ABS360(A,G)30	CSRH*6012A**	58MEB120-20	56000	11.00	13.50	1
3043770	24ABS360(A,G)30	CSRH*6012A**	58PH*090-16	55000	11.00	13.00	1
3043771	24ABS360(A,G)30	CSRH*6012A**	58PH*110-20	56000	11.20	13.25	1
3043772	24ABS360(A,G)30	CSRH*6012A**	58PH*135-20	56000	11.20	13.25	1
3089288	24ABS360(A,G)30	CSRH*6012A**+TDR		56000	11.00	13.00	1
3043782	24ABS360(A,G)30	FA4CN(B,C)060		56000	11.00	13.00	1
3043783	24ABS360(A,G)30	FC4DN(F,B)060		56000	11.00	13.20	1
3043784	24ABS360(A,G)30	FK4DNB006		56500	11.70	13.50	1
3041682	24ABS360(A,G)50	†CAR**6024A**+TDR		56000	11.00	13.00	3
3124663	24ABS360(A,G)50	CAR**6021A**	58MEB100-20	55500	11.00	13.25	3
3041683	24ABS360(A,G)50	CAR**6021A**	58PH*090-16	54500	11.00	13.00	3
3041684	24ABS360(A,G)50	CAR**6021A**	58PH*110-20	55000	11.20	13.25	3

See notes on pg. 32

COMBINATION RATINGS CONTINUED

ARI Ref. No.	Model Number	Indoor Model	Furnace Model	Capacity	EER	SEER	Phase
3041693	24ABS360(A,G)50	CAR**6021A**+TDR		55500	11.00	13.00	3
3041694	24ABS360(A,G)50	CAR**6024A**	58CV(A,X)135-22	55000	11.20	13.20	3
3041695	24ABS360(A,G)50	CAR**6024A**	58CV(A,X)155-22	56000	11.20	13.20	3
3124664	24ABS360(A,G)50	CAR**6024A**	58MEB120-20	55500	11.00	13.50	3
3041685	24ABS360(A,G)50	CAR**6024A**	58PH*135-20	55500	11.20	13.25	3
3041698	24ABS360(A,G)50	CNRH*6024A**	58CV(A,X)135-22	55000	11.20	13.20	3
3041699	24ABS360(A,G)50	CNRH*6024A**	58CV(A,X)155-22	55500	11.50	13.50	3
3124666	24ABS360(A,G)50	CNRH*6024A**	58MEB100-20	55500	11.00	13.25	3
3124667	24ABS360(A,G)50	CNRH*6024A**	58MEB120-20	55500	11.00	13.50	3
3041687	24ABS360(A,G)50	CNRH*6024A**	58PH*090-16	55000	11.00	13.00	3
3041688	24ABS360(A,G)50	CNRH*6024A**	58PH*110-20	55500	11.20	13.25	3
3041689	24ABS360(A,G)50	CNRH*6024A**	58PH*135-20	55500	11.20	13.25	3
3041696	24ABS360(A,G)50	CNRV*6024A**	58CV(A,X)135-22	55500	11.00	13.20	3
3041697	24ABS360(A,G)50	CNRV*6024A**	58CV(A,X)155-22	55500	11.50	13.50	3
3124665	24ABS360(A,G)50	CNRV*6024A**	58MEB120-20	55500	11.00	13.50	3
3041686	24ABS360(A,G)50	CNRV*6024A**	58PH*135-20	55500	11.20	13.25	3
3041700	24ABS360(A,G)50	CSRH*6012A**	58CV(A,X)135-22	56000	11.20	13.20	3
3041701	24ABS360(A,G)50	CSRH*6012A**	58CV(A,X)155-22	56000	11.50	13.50	3
3124668	24ABS360(A,G)50	CSRH*6012A**	58MEB100-20	56000	11.00	13.50	3
3124669	24ABS360(A,G)50	CSRH*6012A**	58MEB120-20	56000	11.00	13.50	3
3041690	24ABS360(A,G)50	CSRH*6012A**	58PH*090-16	55000	11.00	13.00	3
3041691	24ABS360(A,G)50	CSRH*6012A**	58PH*110-20	56000	11.20	13.25	3
3041692	24ABS360(A,G)50	CSRH*6012A**	58PH*135-20	56000	11.20	13.25	3
3041702	24ABS360(A,G)50	FA4CN(B,C)060		56000	11.00	13.00	3
3041703	24ABS360(A,G)50	FC4DN(F,B)060		56000	11.20	13.20	3
3041704	24ABS360(A,G)50	FK4DNB006		56500	11.70	13.50	3
3041705	24ABS360(A,G)60	†CAR**6024A**+TDR		56000	11.00	13.00	3
3124754	24ABS360(A,G)60	CAR**6021A**	58MEB100-20	55500	11.00	13.25	3
3041706	24ABS360(A,G)60	CAR**6021A**	58PH*090-16	54500	11.00	13.00	3
3041707	24ABS360(A,G)60	CAR**6021A**	58PH*110-20	55000	11.20	13.25	3
3041716	24ABS360(A,G)60	CAR**6021A**+TDR		55500	11.00	13.00	3
3041717	24ABS360(A,G)60	CAR**6024A**	58CV(A,X)135-22	55000	11.20	13.20	3
3041718	24ABS360(A,G)60	CAR**6024A**	58CV(A,X)155-22	56000	11.20	13.20	3
3124755	24ABS360(A,G)60	CAR**6024A**	58MEB120-20	55500	11.00	13.50	3
3041708	24ABS360(A,G)60	CAR**6024A**	58PH*135-20	55500	11.20	13.25	3
3041721	24ABS360(A,G)60	CNRH*6024A**	58CV(A,X)135-22	55000	11.20	13.20	3
3041722	24ABS360(A,G)60	CNRH*6024A**	58CV(A,X)155-22	55500	11.50	13.50	3
3124757	24ABS360(A,G)60	CNRH*6024A**	58MEB100-20	55500	11.00	13.25	3
3124758	24ABS360(A,G)60	CNRH*6024A**	58MEB120-20	55500	11.00	13.50	3
3041710	24ABS360(A,G)60	CNRH*6024A**	58PH*090-16	55000	11.00	13.00	3
3041711	24ABS360(A,G)60	CNRH*6024A**	58PH*110-20	55500	11.20	13.25	3
3041712	24ABS360(A,G)60	CNRH*6024A**	58PH*135-20	55500	11.20	13.25	3
3041719	24ABS360(A,G)60	CNRV*6024A**	58CV(A,X)135-22	55500	11.00	13.20	3
3041720	24ABS360(A,G)60	CNRV*6024A**	58CV(A,X)155-22	55500	11.50	13.50	3
3124756	24ABS360(A,G)60	CNRV*6024A**	58MEB120-20	55500	11.00	13.50	3
3041709	24ABS360(A,G)60	CNRV*6024A**	58PH*135-20	55500	11.20	13.25	3
3041723	24ABS360(A,G)60	CSRH*6012A**	58CV(A,X)135-22	56000	11.20	13.20	3
3041724	24ABS360(A,G)60	CSRH*6012A**	58CV(A,X)155-22	56000	11.50	13.50	3
3124759	24ABS360(A,G)60	CSRH*6012A**	58MEB100-20	56000	11.00	13.50	3
3124760	24ABS360(A,G)60	CSRH*6012A**	58MEB120-20	56000	11.00	13.50	3
3041713	24ABS360(A,G)60	CSRH*6012A**	58PH*090-16	55000	11.00	13.00	3
3041714	24ABS360(A,G)60	CSRH*6012A**	58PH*110-20	56000	11.20	13.25	3
3041715	24ABS360(A,G)60	CSRH*6012A**	58PH*135-20	56000	11.20	13.25	3
3041725	24ABS360(A,G)60	FA4CN(B,C)060		56000	11.00	13.00	3
3041726	24ABS360(A,G)60	FC4DN(F,B)060		56000	11.20	13.20	3
3041727	24ABS360(A,G)60	FK4DNB006		56500	11.70	13.50	3
3044681	24ABS360A10	†CAR**6024A**+TDR		56000	11.00	13.00	3
3044682	24ABS360A10	CAR**6021A**	58PH*090-16	54500	11.00	13.00	3
3044683	24ABS360A10	CAR**6021A**	58PH*110-20	55000	11.20	13.25	3
3044692	24ABS360A10	CAR**6021A**+TDR		55500	11.00	13.00	3
3044693	24ABS360A10	CAR**6024A**	58CV(A,X)135-22	55000	11.20	13.20	3
3044694	24ABS360A10	CAR**6024A**	58CV(A,X)155-22	56000	11.20	13.20	3
3044684	24ABS360A10	CAR**6024A**	58PH*135-20	55500	11.20	13.25	3
3044697	24ABS360A10	CNRH*6024A**	58CV(A,X)135-22	55000	11.20	13.20	3
3044698	24ABS360A10	CNRH*6024A**	58CV(A,X)155-22	55500	11.50	13.50	3
3044686	24ABS360A10	CNRH*6024A**	58PH*090-16	55000	11.00	13.00	3
3044687	24ABS360A10	CNRH*6024A**	58PH*110-20	55500	11.20	13.25	3
3044688	24ABS360A10	CNRH*6024A**	58PH*135-20	55500	11.20	13.25	3
3044695	24ABS360A10	CNRV*6024A**	58CV(A,X)135-22	55500	11.00	13.20	3
3044696	24ABS360A10	CNRV*6024A**	58CV(A,X)155-22	55500	11.50	13.50	3
3044685	24ABS360A10	CNRV*6024A**	58PH*135-20	55500	11.20	13.25	3

24ABS3

See notes on pg. 32

COMBINATION RATINGS CONTINUED

ARI Ref. No.	Model Number	Indoor Model	Furnace Model	Capacity	EER	SEER	Phase
3044699	24ABS360A10	CSRH*6012A**	58CV(A,X)135-22	56000	11.20	13.20	3
3044700	24ABS360A10	CSRH*6012A**	58CV(A,X)155-22	56000	11.50	13.50	3
3044689	24ABS360A10	CSRH*6012A**	58PH*090-16	55000	11.00	13.00	3
3044690	24ABS360A10	CSRH*6012A**	58PH*110-20	56000	11.20	13.25	3
3044691	24ABS360A10	CSRH*6012A**	58PH*135-20	56000	11.20	13.25	3
3044701	24ABS360A10	FA4CN(B,C)060		56000	11.00	13.00	3
3044702	24ABS360A10	FC4DN(F,B)060		56000	11.20	13.20	3
3044703	24ABS360A10	FK4DNB006		56500	11.70	13.50	3

Ratings contained in this document are subject to change at any time. Always refer to the AHRI directory (www.ahridirectory.org) for the most up-to-date ratings information.

† Tested combination.

NOTES:

1. Ratings are net values reflecting the effects of circulating fan motor heat. Supplemental electric heat is not included.
2. Tested outdoor/indoor combinations have been tested in accordance with DOE test procedures for central air conditioners. Ratings for other combinations are determined under DOE computer simulation procedures.
3. Determine actual CFM values obtainable for your system by referring to fan performance data in fan coil or furnace coil literature.
4. Do not apply with capillary tube coils as performance and reliability are significantly affected.

EER — Energy Efficiency Ratio

SEER — Seasonal Energy Efficiency Ratio

TDR — Time-Delay Relay. In most cases, only 1 method should be used to achieve TDR function. Using more than 1 method in a system may cause degradation in performance. Use either the accessory Time-Delay Relay KAATD0101TDR or a furnace equipped with TDR. Most Carrier furnaces are equipped with TDR.

TXV — Thermostatic Expansion Valve

DETAILED COOLING CAPACITIES#

EVAPORATOR AIRB		CONDENSER ENTERING AIR TEMPERATURES ° F (° C)																	
CFM	EWB ° F (° C)	75 (23.9)			85 (29.4)			95 (35)			105 (40.6)			115 (46.1)			125 (51.7)		
		Capacity MBtuh		Total System KW**	Capacity MBtuh		Total System KW**	Capacity MBtuh		Total System KW**	Capacity MBtuh		Total System KW**	Capacity MBtuh		Total System KW**	Capacity MBtuh		Total System KW**
		Total	Sens†	Total	Sens†	Total	Sens†	Total	Sens†	Total	Sens†	Total	Sens†	Total	Sens†	Total	Sens†	Total	Sens†
525	72 (22.2)	20.03	10.14	1.28	19.30	9.88	1.40	18.55	9.61	1.53	17.76	9.33	1.69	16.91	9.04	1.87	16.00	8.73	2.06
	67 (19.4)	18.20	12.49	1.27	17.52	12.23	1.39	16.82	11.95	1.52	16.10	11.67	1.68	15.33	11.37	1.86	14.48	11.05	2.08
	63 (17.2)†	16.88	12.06	1.27	16.24	11.79	1.38	15.59	11.52	1.51	14.91	11.23	1.67	14.18	10.93	1.84	13.38	10.80	2.05
	62 (16.7)	16.70	14.83	1.26	16.09	14.55	1.38	15.48	14.25	1.51	14.86	13.93	1.67	14.24	14.24	1.84	13.59	13.59	2.05
	57 (13.9)	16.40	18.40	1.26	15.89	15.89	1.38	15.37	15.37	1.51	14.83	14.83	1.67	14.24	14.24	1.84	13.59	13.59	2.05
600	72 (22.2)	20.37	10.66	1.31	19.60	10.39	1.43	18.82	10.12	1.57	18.00	9.84	1.72	17.13	9.54	1.90	16.18	9.22	2.11
	67 (19.4)	18.52	13.33	1.30	17.82	13.05	1.42	17.10	12.78	1.55	16.35	12.49	1.71	15.55	12.18	1.89	14.69	11.85	2.10
	63 (17.2)†	17.19	12.84	1.30	16.52	12.56	1.41	15.85	12.28	1.55	15.15	11.99	1.70	14.40	11.68	1.88	13.58	11.34	2.08
	62 (16.7)	17.13	15.91	1.30	16.55	16.39	1.41	15.97	15.97	1.55	15.39	15.39	1.70	14.76	14.76	1.88	14.07	14.07	2.09
	57 (13.9)	17.06	17.06	1.30	16.52	16.52	1.41	15.97	15.97	1.55	15.39	15.39	1.70	14.76	14.76	1.88	14.07	14.07	2.09
675	72 (22.2)	20.61	11.15	1.34	19.82	10.87	1.46	19.01	10.60	1.60	18.17	10.32	1.75	17.28	10.02	1.93	16.31	9.69	2.14
	67 (19.4)	18.77	14.12	1.33	18.04	13.84	1.45	17.31	13.56	1.59	16.54	13.26	1.74	15.73	12.95	1.92	14.85	12.60	2.13
	63 (17.2)†	17.43	13.58	1.33	16.74	13.30	1.44	16.05	13.01	1.58	15.33	12.71	1.73	14.57	12.39	1.91	13.74	12.04	2.11
	62 (16.7)	17.61	17.61	1.33	17.04	17.04	1.45	16.45	16.45	1.58	15.84	15.84	1.73	15.18	15.18	1.91	14.46	14.46	2.12
	57 (13.9)	17.61	17.61	1.33	17.04	17.04	1.45	16.46	16.46	1.58	15.84	15.84	1.73	15.18	15.18	1.91	14.46	14.46	2.12

COOLING INDOOR MODEL		CAPACITY	POWER	FURNACE MODEL
*CAR**1814A**	1.00	1.00	1.00	58MV(B,C)040-14
CAR**2414A**	1.02	1.02	0.96	58MV(B,C)060-14
CAR**2417A**	1.02	1.02	0.95	58MV(B,C)080-14
CNR**2418A**	1.02	1.02	0.95	58MV(B,C)060-14
CNRH*2417A**	1.02	1.02	0.95	58MV(B,C)080-14
CNRV*1814A**	1.00	1.00	0.95	58MV(B,C)080-14
CNRV*2414A**	1.02	1.02	0.95	58MV(B,C)080-14
CNRV*2417A**	1.03	1.03	0.92	58PH*045-08
CSRH*2412A**	1.02	1.02	0.95	58PH*045-08
F44CN(F)C018	1.01	1.01	0.95	58PH*045-08
F44CN(F)C024	1.01	1.01	0.92	58PH*045-08
FC4DNF018	1.03	0.96	0.95	58PH*045-08
FF1ENE018	0.99	0.99	0.95	58PH*045-08
FF1ENE024	1.02	0.99	0.95	58PH*045-08
FK4DNF001	1.02	0.96	0.95	58PH*045-08
FK4DNF002	0.99	0.92	0.95	58PH*045-08
CAR**1814A**	0.99	0.93	0.95	58CV(A,X)070-12
CAR**2414A**	1.01	0.94	0.95	58CV(A,X)070-12
CNRH*2417A**	1.02	0.95	0.95	58CV(A,X)070-12
CNRV*1814A**	1.01	0.94	0.95	58CV(A,X)070-12
CNRV*2414A**	1.02	0.95	0.95	58CV(A,X)070-12
CSRH*2412A**	1.02	0.95	0.95	58CV(A,X)090-16
CAR**2417A**	1.02	0.96	0.95	58CV(A,X)090-16
CNRH*2417A**	1.02	0.96	0.95	58CV(A,X)090-16
CNRV*2417A**	1.02	0.96	0.95	58CV(A,X)090-16
CAR**2417A**	1.03	0.89	0.89	58MEB040-12
CNRH*2417A**	1.03	0.89	0.89	58MEB040-12
CSRH*2412A**	1.03	0.89	0.89	58MEB040-12
CAR**2417A**	1.03	0.89	0.89	58MEB060-12
CNRH*2417A**	1.03	0.89	0.89	58MEB060-12
CNRV*2417A**	1.03	0.89	0.89	58MEB060-12
CSRH*2412A**	1.03	0.89	0.89	58MEB060-12
CNRH*2417A**	1.02	0.95	0.95	58MV(B,C)040-14

See notes on page 61



24ABS3

DETAILED COOLING CAPACITIES#

EVAPORATOR AIRB		CONDENSER ENTERING AIR TEMPERATURES °F (°C)																	
		75 (23.9)			85 (29.4)			95 (35)			105 (40.6)			115 (46.1)			125 (51.7)		
CFM	EWB °F (°C)	Capacity MBtuh		Total Sys-tem KW**	Capacity MBtuh		Total Sys-tem KW**	Capacity MBtuh		Total Sys-tem KW**	Capacity MBtuh		Total Sys-tem KW**	Capacity MBtuh		Total Sys-tem KW**			
		Total	Sens†		Total	Sens†		Total	Sens†		Total	Sens†		Total	Sens†				
		24ABS318(A)G31 Outdoor Section With CAR**1B14A** Indoor Section																	
525	72 (22.2)	20.30	10.36	1.23	19.41	10.03	1.35	18.57	9.72	1.48	17.78	9.43	1.64	17.02	9.16	1.81	16.32	8.90	2.02
	67 (19.4)	18.30	12.59	1.25	17.46	12.25	1.36	16.66	11.92	1.49	15.90	11.62	1.64	15.19	11.33	1.81	14.53	11.07	2.01
	63 (17.2)††	16.84	12.11	1.26	16.03	11.75	1.37	15.25	11.42	1.49	14.52	11.10	1.64	13.84	10.81	1.80	13.20	10.54	1.99
	62 (16.7)	16.61	14.81	1.26	15.84	14.44	1.37	15.11	14.09	1.49	14.43	13.75	1.64	13.83	13.75	1.80	13.33	13.33	2.00
	57 (13.9)	16.13	16.13	1.26	15.51	15.51	1.37	14.92	14.92	1.49	14.35	14.35	1.64	13.82	13.82	1.80	13.33	13.33	2.00
600	72 (22.2)	20.72	10.88	1.25	19.79	10.55	1.37	18.91	10.23	1.51	18.09	9.94	1.68	17.31	9.66	1.84	16.59	9.41	2.05
	67 (19.4)	18.70	13.43	1.27	17.83	13.08	1.39	17.00	12.75	1.52	16.22	12.44	1.67	15.49	12.15	1.84	14.81	11.88	2.04
	63 (17.2)††	17.22	12.90	1.28	16.38	12.54	1.39	15.58	12.20	1.52	14.83	11.87	1.67	14.12	11.57	1.83	13.47	11.29	2.03
	62 (16.7)	17.09	15.92	1.28	16.31	15.53	1.39	15.61	15.51	1.52	15.00	15.00	1.67	14.44	14.44	1.83	13.92	13.92	2.03
	57 (13.9)	16.88	16.88	1.28	16.23	16.23	1.39	15.60	15.60	1.52	15.00	15.00	1.67	14.44	14.44	1.83	13.92	13.92	2.03
675	72 (22.2)	21.02	11.37	1.27	20.06	11.03	1.40	19.16	10.72	1.53	18.32	10.42	1.69	17.52	10.14	1.87	16.78	9.88	2.08
	67 (19.4)	19.00	14.22	1.29	18.11	13.86	1.41	17.26	13.53	1.54	16.47	13.22	1.69	15.72	12.92	1.87	15.03	12.65	2.07
	63 (17.2)††	17.52	13.65	1.31	16.66	13.28	1.42	15.84	12.93	1.55	15.07	12.60	1.69	14.35	12.29	1.86	13.69	12.00	2.06
	62 (16.7)	17.54	16.91	1.30	16.81	16.81	1.42	16.16	16.16	1.55	15.54	15.54	1.70	14.95	14.95	1.87	14.40	14.40	2.06
	57 (13.9)	17.51	17.51	1.30	16.82	16.82	1.42	16.16	16.16	1.55	15.54	15.54	1.70	14.95	14.95	1.87	14.40	14.40	2.06

COOLING INDOOR MODEL	CAPACITY	POWER	FURNACE MODEL
CSRH*2412A**	1.00	0.86	58MEB060-12
CAR**2417A**	1.00	0.86	58MV(B,C)060-14
CNRH*2417A**	1.00	0.86	58MV(B,C)060-14
CNRV*2417A**	1.00	0.86	58MV(B,C)060-14
CSRH*2412A**	1.00	0.86	58MV(B,C)060-14
CNRH*2417A**	1.00	0.86	58MV(B,C)060-14
CNRV*2417A**	1.00	0.86	58MV(B,C)060-14
CSRH*2412A**	1.00	0.86	58MV(B,C)080-14
CNRH*2417A**	1.00	0.86	58MV(B,C)080-14
CNRV*2417A**	1.00	0.86	58MV(B,C)080-14
CSRH*2412A**	1.00	0.86	58MV(B,C)040-14
CNRH*2417A**	1.00	0.86	58MV(B,C)040-14
CNRV*2417A**	1.00	0.86	58MV(B,C)040-14
CAR**1814A**	1.00	0.92	58PH*045-08
CNRH*2414A**	1.00	0.86	58PH*045-08
CNRV*2414A**	1.00	0.86	58PH*045-08
CSRH*2412A**	1.00	0.86	58PH*045-08

COOLING INDOOR MODEL	CAPACITY	POWER	FURNACE MODEL
*CAR**1814A**	1.00	1.00	
CAR**2414A**	1.00	0.96	
CAR**2417A**	1.00	0.96	
CNR**2418A**	1.00	0.96	
CNRH*2417A**	1.00	0.96	
CNRV*2417A**	1.00	0.96	
CNR**1814A**	1.00	1.00	
CNRV*2414A**	1.00	0.96	
CNRV*2417A**	1.00	0.96	
CSRH*2412A**	1.00	0.96	
FA4CNF(C)D18	1.00	1.00	
FA4CNF(C)D24	1.00	1.00	
FC4DNF018	1.00	0.92	
FC4DNF024	1.00	0.90	
FF1ENE018	1.00	1.00	
FF1ENE024	1.00	0.96	
FK4DNF001	1.00	0.90	
FK4DNF002	1.00	0.90	
CAR**1814A**	1.00	0.92	58CV(A,X)070-12
CAR**2414A**	1.00	0.86	58CV(A,X)070-12
CNRH*2417A**	1.00	0.86	58CV(A,X)070-12
CNRV*2417A**	1.00	0.86	58CV(A,X)070-12
CNRV*1814A**	1.00	0.92	58CV(A,X)070-12
CNRV*2414A**	1.00	0.86	58CV(A,X)070-12
CSRH*2412A**	1.00	0.86	58CV(A,X)070-12
CAR**2417A**	1.00	0.86	58CV(A,X)090-16
CNRH*2417A**	1.00	0.86	58CV(A,X)090-16
CNRV*2417A**	1.00	0.86	58CV(A,X)090-16
CSRH*2412A**	1.00	0.86	58CV(A,X)090-16
CAR**2417A**	1.00	0.86	58MEB040-12
CNRH*2417A**	1.00	0.86	58MEB040-12
CNRV*2417A**	1.00	0.86	58MEB040-12
CSRH*2412A**	1.00	0.86	58MEB040-12
CAR**2417A**	1.00	0.86	58MEB060-12
CNRH*2417A**	1.00	0.86	58MEB060-12
CNRV*2417A**	1.00	0.86	58MEB060-12

See notes on page 61

DETAILED COOLING CAPACITIES#

EVAPORATOR AIR		CONDENSER ENTERING AIR TEMPERATURES °F (°C)																	
CFM	EWB °F (°C)	75 (23.9)			85 (29.4)			95 (35)			105 (40.6)			115 (46.1)			125 (51.7)		
		Capacity MBtuh		Total System KW**	Capacity MBtuh		Total System KW**	Capacity MBtuh		Total System KW**	Capacity MBtuh		Total System KW**	Capacity MBtuh		Total System KW**	Capacity MBtuh		Total System KW**
		Total	Sens†	Total	Sens†	Total	Sens†	Total	Sens†	Total	Sens†	Total	Sens†	Total	Sens†	Total	Sens†	Total	Sens†
700	72 (22.2)	26.75	13.89	1.76	25.86	13.56	1.93	24.91	13.22	2.12	23.90	12.85	2.34	22.79	12.45	2.58	21.56	12.02	2.86
	67 (19.4)	24.29	17.11	1.75	23.50	16.79	1.91	22.64	16.44	2.10	21.69	16.07	2.32	20.63	15.65	2.56	19.45	15.19	2.84
	63 (17.2)†	22.57	16.53	1.74	21.83	16.21	1.90	21.01	15.86	2.09	20.10	15.47	2.31	19.07	15.03	2.55	17.91	14.84	2.83
	62 (16.7)	22.28	20.33	1.74	21.58	20.00	1.90	20.81	19.63	2.09	19.97	19.19	2.31	19.10	19.10	2.55	18.17	18.17	2.83
	57 (13.9)	21.88	21.30	1.74	21.30	20.66	1.90	20.66	20.66	2.09	19.92	19.92	2.31	19.10	19.10	2.55	18.17	18.17	2.83
800	72 (22.2)	27.20	14.60	1.80	26.26	14.26	1.97	25.28	13.91	2.16	24.23	13.54	2.38	23.08	13.14	2.62	21.82	12.71	2.90
	67 (19.4)	24.72	18.26	1.79	23.89	17.83	1.96	23.00	17.57	2.15	22.03	17.19	2.36	20.94	16.77	2.61	19.74	16.30	2.88
	63 (17.2)†	22.97	17.60	1.78	22.21	17.28	1.95	21.36	16.92	2.13	20.43	16.52	2.35	19.37	16.08	2.59	18.19	15.58	2.87
	62 (16.7)	22.84	21.82	1.78	22.15	22.03	1.95	21.45	21.45	2.13	20.68	20.68	2.35	19.82	19.82	2.60	18.85	18.85	2.88
	57 (13.9)	22.76	22.76	1.78	22.14	22.14	1.95	21.45	21.45	2.13	20.69	20.69	2.35	19.82	19.82	2.60	18.86	18.86	2.88
900	72 (22.2)	27.53	15.27	1.85	26.55	14.93	2.01	25.54	14.57	2.20	24.46	14.20	2.42	23.29	13.80	2.67	22.00	13.36	2.94
	67 (19.4)	25.05	19.35	1.83	24.19	18.65	2.00	23.27	18.65	2.19	22.28	18.26	2.40	21.18	17.83	2.65	19.96	17.35	2.93
	63 (17.2)†	23.28	18.62	1.82	22.49	18.29	1.99	21.63	17.92	2.18	20.67	17.52	2.39	19.61	17.07	2.64	18.42	16.55	2.91
	62 (16.7)	23.49	23.49	1.83	22.82	22.82	1.99	22.10	22.10	2.18	21.30	21.30	2.40	20.41	20.41	2.64	19.41	19.41	2.92
	57 (13.9)	23.49	23.49	1.83	22.83	22.83	1.99	22.10	22.10	2.18	21.30	21.30	2.40	20.41	20.41	2.64	19.41	19.41	2.92

24ABS24(A,G)30 Outdoor Section With CAR**2414A Indoor Section

COOLING INDOOR MODEL	CAPACITY	POWER	FURNACE MODEL	COOLING INDOOR MODEL			POWER	FURNACE MODEL	COOLING INDOOR MODEL			POWER	FURNACE MODEL	
				Capacity	System KW**	Capacity MBtuh			Capacity	System KW**	Capacity MBtuh			Capacity
CAR**2414A**	1.00	1.00	58CV(A.X)110-20	CNRH*3017A**	1.00	0.93	58CV(A.X)110-20	CNRH*3017A**	1.00	0.93	58CV(A.X)110-20	CNRH*3017A**	1.00	0.93
CAR**2417A**	1.00	1.00	58CV(A.X)110-20	CSRH*2412A**	1.01	0.94	58CV(A.X)110-20	CSRH*2412A**	1.01	0.94	58CV(A.X)110-20	CSRH*2412A**	1.01	0.94
CAR**3014A**	1.00	1.00	58CV(A.X)110-20	CNRH*3012A**	1.01	0.94	58CV(A.X)110-20	CNRH*3012A**	1.01	0.94	58CV(A.X)110-20	CNRH*3012A**	1.01	0.94
CAR**3017A**	1.00	1.00	58CV(A.X)135-22	CNRH*2417A**	0.99	0.93	58CV(A.X)135-22	CNRH*2417A**	0.99	0.93	58CV(A.X)135-22	CNRH*2417A**	0.99	0.93
CNRH*2418A**	1.00	1.00	58CV(A.X)135-22	CNRH*3017A**	1.00	0.93	58CV(A.X)135-22	CNRH*3017A**	1.00	0.93	58CV(A.X)135-22	CNRH*3017A**	1.00	0.93
CNRH*2417A**	1.00	1.00	58CV(A.X)135-22	CNRH*2412A**	1.01	0.94	58CV(A.X)135-22	CNRH*2412A**	1.01	0.94	58CV(A.X)135-22	CNRH*2412A**	1.01	0.94
CNRH*3017A**	1.00	1.00	58CV(A.X)155-22	CNRH*3012A**	1.01	0.94	58CV(A.X)155-22	CNRH*3012A**	1.01	0.94	58CV(A.X)155-22	CNRH*3012A**	1.01	0.94
CNRV*2414A**	1.00	1.00	58CV(A.X)155-22	CNRH*2417A**	0.99	0.93	58CV(A.X)155-22	CNRH*2417A**	0.99	0.93	58CV(A.X)155-22	CNRH*2417A**	0.99	0.93
CNRV*2417A**	1.00	1.00	58CV(A.X)155-22	CNRH*3017A**	1.00	0.93	58CV(A.X)155-22	CNRH*3017A**	1.00	0.93	58CV(A.X)155-22	CNRH*3017A**	1.00	0.93
CNRV*3014A**	1.00	1.00	58CV(A.X)155-22	CNRH*2412A**	1.01	0.94	58CV(A.X)155-22	CNRH*2412A**	1.01	0.94	58CV(A.X)155-22	CNRH*2412A**	1.01	0.94
CNRV*3017A**	1.00	1.00	58CV(A.X)155-22	CNRH*3012A**	1.01	0.94	58CV(A.X)155-22	CNRH*3012A**	1.01	0.94	58CV(A.X)155-22	CNRH*3012A**	1.01	0.94
CSRH*2412A**	1.02	1.02	58MEB040-12	CAR**2417A**	1.03	0.92	58MEB040-12	CAR**2417A**	1.03	0.92	58MEB040-12	CAR**2417A**	1.03	0.92
CAR**3012A**	1.01	1.01	58MEB040-12	CAR**3017A**	1.03	0.92	58MEB040-12	CAR**3017A**	1.03	0.92	58MEB040-12	CAR**3017A**	1.03	0.92
F4ACNF(C)024	0.99	0.99	58MEB040-12	CNRH*2417A**	1.03	0.92	58MEB040-12	CNRH*2417A**	1.03	0.92	58MEB040-12	CNRH*2417A**	1.03	0.92
F4ACNF(C)030	1.00	1.00	58MEB040-12	CNRH*3017A**	1.03	0.92	58MEB040-12	CNRH*3017A**	1.03	0.92	58MEB040-12	CNRH*3017A**	1.03	0.92
FC4DNF024	1.01	0.94	58MEB040-12	CNRV*2417A**	1.03	0.92	58MEB040-12	CNRV*2417A**	1.03	0.92	58MEB040-12	CNRV*2417A**	1.03	0.92
FF4ENE024	0.98	0.98	58MEB040-12	CNRH*2412A**	1.03	0.92	58MEB040-12	CNRH*2412A**	1.03	0.92	58MEB040-12	CNRH*2412A**	1.03	0.92
FF4ENE030	1.00	1.00	58MEB040-12	CNRH*3012A**	1.03	0.92	58MEB040-12	CNRH*3012A**	1.03	0.92	58MEB040-12	CNRH*3012A**	1.03	0.92
FK4DN(B,F)003	1.01	0.94	58MEB040-12	CAR**2417A**	1.03	0.92	58MEB040-12	CAR**2417A**	1.03	0.92	58MEB040-12	CAR**2417A**	1.03	0.92
FK4DNF001	1.00	0.93	58MEB040-12	CAR**3017A**	1.03	0.92	58MEB040-12	CAR**3017A**	1.03	0.92	58MEB040-12	CAR**3017A**	1.03	0.92
FK4DNF002	0.99	0.93	58MEB040-12	CNRH*2417A**	1.03	0.92	58MEB040-12	CNRH*2417A**	1.03	0.92	58MEB040-12	CNRH*2417A**	1.03	0.92
CAR**2414A**	0.99	0.99	58CV(A.X)070-12	CNRH*3017A**	1.03	0.92	58CV(A.X)070-12	CNRH*3017A**	1.03	0.92	58CV(A.X)070-12	CNRH*3017A**	1.03	0.92
CAR**3014A**	0.99	0.93	58CV(A.X)070-12	CNRV*2417A**	1.03	0.92	58CV(A.X)070-12	CNRV*2417A**	1.03	0.92	58CV(A.X)070-12	CNRV*2417A**	1.03	0.92
CNRH*2417A**	0.99	0.93	58CV(A.X)070-12	CNRV*3017A**	1.03	0.92	58CV(A.X)070-12	CNRV*3017A**	1.03	0.92	58CV(A.X)070-12	CNRV*3017A**	1.03	0.92
CNRH*3017A**	1.00	0.93	58CV(A.X)090-16	CNRH*2412A**	1.03	0.92	58CV(A.X)090-16	CNRH*2412A**	1.03	0.92	58CV(A.X)090-16	CNRH*2412A**	1.03	0.92
CNRH*2412A**	0.99	0.93	58CV(A.X)090-16	CNRH*2417A**	1.03	0.92	58CV(A.X)090-16	CNRH*2417A**	1.03	0.92	58CV(A.X)090-16	CNRH*2417A**	1.03	0.92
CNRV*3017A**	1.00	0.93	58CV(A.X)090-16	CNRV*2417A**	1.03	0.92	58CV(A.X)090-16	CNRV*2417A**	1.03	0.92	58CV(A.X)090-16	CNRV*2417A**	1.03	0.92
CSRH*2412A**	1.01	0.94	58CV(A.X)090-16	CNRH*3017A**	1.03	0.92	58CV(A.X)090-16	CNRH*3017A**	1.03	0.92	58CV(A.X)090-16	CNRH*3017A**	1.03	0.92
CSRH*3012A**	1.01	0.94	58CV(A.X)090-16	CNRH*2412A**	1.03	0.92	58CV(A.X)090-16	CNRH*2412A**	1.03	0.92	58CV(A.X)090-16	CNRH*2412A**	1.03	0.92
CNRH*2417A**	0.99	0.93	58CV(A.X)110-20	CNRH*2417A**	1.03	0.92	58CV(A.X)110-20	CNRH*2417A**	1.03	0.92	58CV(A.X)110-20	CNRH*2417A**	1.03	0.92

See notes on page 61

24ABS3

DETAILED COOLING CAPACITIES#

EVAPORATOR AIR		CONDENSER ENTERING AIR TEMPERATURES ° F (° C)																	
		75 (23.9)		85 (29.4)		95 (35)		105 (40.6)		115 (46.1)		125 (51.7)							
CFM	EWB ° F (° C)	Capacity MBtuh		Total System KW**	Capacity MBtuh		Total System KW**	Capacity MBtuh		Total System KW**	Capacity MBtuh		Total System KW**						
		Total	Sens†		Total	Sens†		Total	Sens†		Total	Sens†							
700	72 (22.2)	26.67	13.57	1.68	25.79	13.26	1.85	24.83	12.92	2.03	23.80	12.55	2.25	22.68	12.16	2.49	21.44	11.73	2.75
	67 (19.4)	24.32	16.76	1.66	23.53	16.45	1.83	22.66	16.11	2.01	21.70	15.73	2.22	20.83	15.82	2.46	19.44	14.86	2.71
	63 (17.2)†	22.66	16.23	1.65	21.93	15.92	1.81	21.10	15.57	2.00	20.18	15.18	2.21	19.13	14.74	2.45	17.96	14.26	2.73
	62 (16.7)	22.38	19.95	1.65	21.68	19.63	1.81	20.89	19.25	1.99	20.02	18.83	2.21	19.12	19.12	2.45	18.18	18.18	2.72
	61 (13.9)	21.96	21.96	1.65	21.39	21.39	1.81	20.72	20.72	1.99	19.97	19.97	2.20	19.13	19.13	2.45	18.19	18.19	2.70
	72 (22.2)	27.10	14.26	1.72	26.18	13.94	1.89	25.18	13.59	2.08	24.11	13.22	2.29	22.95	12.92	2.53	21.68	12.39	2.82
800	67 (19.4)	24.73	17.87	1.70	23.91	17.55	1.87	23.00	17.20	2.05	22.01	16.82	2.27	20.92	16.40	2.50	19.71	15.94	2.77
	63 (17.2)†	23.06	17.27	1.69	22.29	16.95	1.85	21.44	16.59	2.04	20.49	16.20	2.25	19.42	15.76	2.49	18.23	15.26	2.76
	62 (16.7)	22.92	21.39	1.69	22.00	22.00	1.85	21.48	21.48	2.04	20.70	20.70	2.25	19.82	19.82	2.49	18.84	18.84	2.76
	57 (13.9)	22.81	22.81	1.69	22.19	22.19	1.85	21.49	21.49	2.04	20.70	20.70	2.25	19.82	19.82	2.49	18.84	18.84	2.76
	72 (22.2)	27.40	14.90	1.76	26.45	14.58	1.93	25.42	14.22	2.12	24.32	13.85	2.33	23.14	13.45	2.57	21.84	13.02	2.84
	67 (19.4)	25.03	18.92	1.74	24.19	18.60	1.91	23.25	18.24	2.09	22.24	17.85	2.31	21.13	17.43	2.55	19.91	16.96	2.81
900	63 (17.2)†	23.35	18.25	1.73	22.56	17.93	1.89	21.69	17.56	2.08	20.72	17.16	2.29	19.64	16.71	2.53	18.45	16.21	2.80
	62 (16.7)	23.52	23.52	1.73	22.85	22.85	1.90	22.11	22.11	2.08	21.29	21.29	2.30	20.38	20.38	2.54	19.37	19.37	2.81
	57 (13.9)	23.51	23.51	1.73	22.85	22.85	1.90	22.11	22.11	2.08	21.29	21.29	2.30	20.38	20.38	2.54	19.37	19.37	2.81

24ABS324(G)31 Outdoor Section With CAR**2417A** Indoor Section

COOLING INDOOR MODEL		CAPACITY		POWER	FURNACE MODEL	
CSRH*3012A**	1.00	0.90	56CVA.XI090-16			
CAR**2417A**	1.00	0.93	56CVA.XI110-20			
CNRH*3017A**	1.00	0.90	56CVA.XI110-20			
CSRH*2412A**	1.00	0.93	56CVA.XI110-20			
CNRH*3012A**	1.00	0.90	56CVA.XI110-20			
CNRH*2417A**	1.00	0.93	56CVA.XI135-22			
CNRH*3017A**	1.00	0.90	56CVA.XI135-22			
CSRH*2412A**	1.00	0.90	56CVA.XI135-22			
CSRH*3012A**	1.00	0.90	56CVA.XI135-22			
CNRH*2417A**	1.00	0.92	56CVA.XI155-22			
CNRH*3017A**	1.00	0.90	56CVA.XI155-22			
CSRH*2412A**	1.00	0.90	56CVA.XI155-22			
CSRH*3012A**	1.00	0.90	56CVA.XI155-22			
CAR**2417A**	1.00	0.90	58MEB040-12			
CNRH*3017A**	1.00	0.90	58MEB040-12			
CNRH*2417A**	1.00	0.90	58MEB040-12			
CNRH*3017A**	1.00	0.90	58MEB040-12			
CNRH*2417A**	1.00	0.90	58MEB040-12			
CNRH*3017A**	1.00	0.90	58MEB040-12			
CSRH*2412A**	1.00	0.90	58MEB040-12			
CSRH*3012A**	1.00	0.90	58MEB040-12			
CAR**2417A**	1.00	0.90	58MEB080-12			
CNRH*3017A**	1.00	0.90	58MEB080-12			
CNRH*2417A**	1.00	0.90	58MEB080-12			
CNRH*3017A**	1.00	0.90	58MEB080-12			
CNRH*2417A**	1.00	0.90	58MEB080-12			
CNRH*3017A**	1.00	0.90	58MEB080-12			
CSRH*2412A**	1.00	0.90	58MEB080-12			
CSRH*3012A**	1.00	0.90	58MEB080-12			

COOLING INDOOR MODEL		CAPACITY		POWER	FURNACE MODEL	
*CAR**2414A**	1.00	1.00	56CVA.XI070-12			
CAR**2417A**	1.00	1.00	56CVA.XI070-12			
CAR**3014A**	1.00	1.00	56CVA.XI070-12			
CAR**3017A**	1.00	1.00	56CVA.XI070-12			
CNRH*2418A**	1.00	1.00	56CVA.XI070-12			
CNRH*2417A**	1.00	1.00	56CVA.XI070-12			
CNRH*3017A**	1.00	1.00	56CVA.XI070-12			
CNRH*2414A**	1.00	1.00	56CVA.XI070-12			
CNRH*2417A**	1.00	1.00	56CVA.XI070-12			
CNRH*3017A**	1.00	1.00	56CVA.XI070-12			
CNRV*3014A**	1.00	1.00	56CVA.XI090-16			
CNRV*3017A**	1.00	1.00	56CVA.XI090-16			
CSRH*2412A**	1.00	1.00	56CVA.XI090-16			
CSRH*3012A**	1.00	1.00	56CVA.XI090-16			
CAR**2417A**	1.00	0.93	56CVA.XI070-12			
CAR**2414A**	1.00	0.93	56CVA.XI070-12			
CAR**3014A**	1.00	0.90	56CVA.XI070-12			
CAR**3017A**	1.00	0.90	56CVA.XI070-12			
CNRH*3017A**	1.00	0.93	56CVA.XI070-12			
CNRH*2414A**	1.00	0.92	56CVA.XI070-12			
CNRH*3014A**	1.00	0.93	56CVA.XI070-12			
CNRH*2412A**	1.00	0.90	56CVA.XI070-12			
CNRH*3012A**	1.00	0.90	56CVA.XI070-12			
CAR**2417A**	1.00	0.90	56CVA.XI090-16			
CAR**3017A**	1.00	0.90	56CVA.XI090-16			
CNRH*2417A**	1.00	0.92	56CVA.XI090-16			
CNRH*3017A**	1.00	0.90	56CVA.XI090-16			
CNRV*2417A**	1.00	0.92	56CVA.XI090-16			
CNRV*3017A**	1.00	0.90	56CVA.XI090-16			
CSRH*2412A**	1.00	0.90	56CVA.XI090-16			

COOLING INDOOR MODEL		CAPACITY		POWER	FURNACE MODEL	
CAR**2417A**	1.00	0.90	58MV(B.C)060-14			
CAR**3017A**	1.00	0.90	58MV(B.C)060-14			
CNRH*2417A**	1.00	0.93	58MV(B.C)060-14			
CNRH*3017A**	1.00	0.90	58MV(B.C)060-14			
CNRH*2417A**	1.00	0.93	58MV(B.C)060-14			
CNRV*3017A**	1.00	0.90	58MV(B.C)060-14			
CNRH*2417A**	1.00	0.90	58MV(B.C)060-14			
CSRH*2412A**	1.00	0.90	58MV(B.C)060-14			
CSRH*3012A**	1.00	0.93	58MV(B.C)060-14			
CNRH*2417A**	1.00	0.90	58MV(B.C)060-14			
CNRH*3017A**	1.00	0.90	58MV(B.C)060-14			
CSRH*2412A**	1.00	0.90	58MV(B.C)060-14			
CSRH*3012A**	1.00	0.90	58MV(B.C)060-14			
CNRH*2417A**	1.00	0.90	58MV(B.C)060-14			
CNRH*3017A**	1.00	0.90	58MV(B.C)060-14			
CSRH*2412A**	1.00	0.90	58MV(B.C)060-20			
CSRH*3012A**	1.00	0.93	58MV(B.C)060-20			
CNRH*2417A**	1.00	0.90	58MV(B.C)060-20			
CNRH*3017A**	1.00	0.90	58MV(B.C)060-20			
CSRH*2412A**	1.00	0.90	58MV(B.C)060-20			
CSRH*3012A**	1.00	0.90	58MV(B.C)060-20			
CNRH*2417A**	1.00	0.90	58MV(B.C)060-20			
CNRH*3017A**	1.00	0.90	58MV(B.C)060-20			
CSRH*2412A**	1.00	0.92	58MV(B.C)100-20			
CSRH*3012A**	1.00	0.90	58MV(B.C)100-20			
CNRH*2417A**	1.00	0.90	58MV(B.C)100-20			
CNRH*3017A**	1.00	0.90	58MV(B.C)100-20			
CSRH*2412A**	1.00	0.92	58MV(B.C)100-20			
CSRH*3012A**	1.00	0.90	58MV(B.C)100-20			
CNRH*2417A**	1.00	0.90	58MV(B.C)100-20			
CNRH*3017A**	1.00	0.90	58MV(B.C)100-20			
CSRH*2412A**	1.00	0.90	58MV(B.C)120-20			
CSRH*3012A**	1.00	0.90	58MV(B.C)120-20			
CNRH*2417A**	1.00	0.90	58MV(B.C)120-20			
CNRH*3017A**	1.00	0.90	58MV(B.C)120-20			
CSRH*2412A**	1.00	0.93	58VBO40-14			
CSRH*3012A**	1.00	0.93	58VBO40-14			
CAR**2414A**	1.00	0.90	58PH*045-08			
CAR**3014A**	1.00	0.93	58PH*045-08			
CNRH*2417A**	1.00	0.93	58PH*045-08			
CNRH*3017A**	1.00	0.93	58PH*045-08			
CNRV*2417A**	1.00	0.93	58PH*045-08			
CNRV*3017A**	1.00	0.93	58PH*045-08			
CSRH*2412A**	1.00	0.93	58PH*045-08			
CSRH*3012A**	1.00	0.93	58PH*045-08			

See notes on page 61

DETAILED COOLING CAPACITIES#

CFM	EWB °F (°C)	CONDENSER ENTERING AIR TEMPERATURES °F (°C)																					
		75 (23.9)				85 (29.4)				95 (35)				105 (40.6)				115 (46.1)				125 (51.7)	
		Capacity MBtuh		Total System KW**	Capacity MBtuh	Capacity MBtuh		Total System KW**	Capacity MBtuh	Capacity MBtuh		Total System KW**	Capacity MBtuh	Capacity MBtuh		Total System KW**	Capacity MBtuh	Capacity MBtuh		Total System KW**			
Total	Sens†	Total	Total	Sens†		Total	Sens†	Total		Sens†	Total	Sens†		Total	Sens†	Total		Sens†	Total	Sens†			
875	72 (22.2)	32.22	16.76	2.15	31.12	16.36	2.35	29.96	15.94	2.56	28.75	15.51	2.79	27.48	15.06	3.07	26.15	14.59	3.39				
	67 (19.4)	29.29	20.72	2.14	28.27	20.31	2.33	27.17	19.88	2.55	26.03	19.42	2.78	24.82	18.95	3.07	23.56	18.46	3.38				
	63 (17.2)††	27.20	20.01	2.12	26.22	19.59	2.31	25.18	19.14	2.53	24.08	18.68	2.78	22.92	18.18	3.05	21.70	17.87	3.37				
	62 (16.7)	26.92	24.65	2.11	26.00	24.20	2.31	25.03	23.71	2.53	24.04	23.09	2.78	23.09	23.09	3.05	22.10	22.10	3.37				
	57 (13.9)	26.53	26.53	2.11	25.75	25.75	2.31	24.92	24.92	2.53	24.03	24.03	2.78	23.09	23.09	3.05	22.10	22.10	3.37				
1000	72 (22.2)	32.72	17.60	2.20	31.58	17.20	2.39	30.39	16.78	2.61	29.14	16.34	2.85	27.84	15.89	3.12	26.47	15.42	3.43				
	67 (19.4)	29.78	22.10	2.19	28.72	21.68	2.38	27.60	21.24	2.60	26.42	20.80	2.84	25.19	20.30	3.12	23.90	19.79	3.43				
	63 (17.2)††	27.67	21.30	2.17	26.67	20.87	2.37	25.59	20.41	2.59	24.46	19.94	2.83	23.27	19.43	3.10	22.03	18.91	3.42				
	62 (16.7)	27.62	26.39	2.17	26.72	26.72	2.37	25.85	25.85	2.59	24.92	24.92	2.83	23.94	23.94	3.11	22.90	22.90	3.43				
	57 (13.9)	27.56	27.56	2.17	26.74	26.74	2.37	25.86	25.86	2.59	24.92	24.92	2.83	23.94	23.94	3.11	22.90	22.90	3.43				
1125	72 (22.2)	33.07	18.40	2.25	31.91	17.99	2.44	30.69	17.57	2.65	29.41	17.13	2.89	28.08	16.68	3.16	26.69	16.21	3.47				
	67 (19.4)	30.15	23.40	2.24	29.07	22.97	2.43	27.92	22.53	2.65	26.72	22.06	2.89	25.47	21.56	3.17	24.17	21.05	3.48				
	63 (17.2)††	28.03	22.51	2.22	27.00	22.08	2.42	25.90	21.61	2.64	24.75	21.12	2.88	23.54	20.60	3.16	22.29	20.05	3.47				
	62 (16.7)	28.41	28.41	2.22	27.54	27.54	2.42	26.62	26.62	2.64	25.65	25.65	2.89	24.63	24.63	3.16	23.55	23.55	3.48				
	57 (13.9)	28.41	28.41	2.22	27.54	27.54	2.42	26.62	26.62	2.64	25.65	25.65	2.89	24.63	24.63	3.16	23.56	23.56	3.48				

COOLING INDOOR MODEL	CAPACITY	POWER	FURNACE MODEL	COOLING INDOOR MODEL				FURNACE MODEL			
				Capacity	Power	Furnace Model	Capacity	Power	Furnace Model		
*CAR**3014A**	1.00	1.00		CNRV*3017A**	0.99	0.93	58CV(A.X)090-16	CNRV*3017A**	0.99	0.93	58CV(A.X)090-16
CAR**3017A**	1.00	1.00		CNRV*3612A**	0.99	0.93	58CV(A.X)090-16	CNRV*3612A**	0.99	0.93	58CV(A.X)090-16
CAR**3614A**	1.00	1.00		CSRH*3612A**	0.99	0.93	58CV(A.X)090-16	CSRH*3612A**	0.99	0.93	58CV(A.X)090-16
CAR**3617A**	1.00	1.00		CAR**3621A**	1.00	0.93	58CV(A.X)110-20	CAR**3621A**	1.00	0.93	58CV(A.X)110-20
CNRH*3618A**	1.00	1.00		CNRH*3017A**	0.99	0.93	58CV(A.X)110-20	CNRH*3017A**	0.99	0.93	58CV(A.X)110-20
CNRH*3017A**	1.00	1.00		CNRH*3617A**	0.99	0.93	58CV(A.X)110-20	CNRH*3617A**	0.99	0.93	58CV(A.X)110-20
CNRH*3617A**	1.00	1.00		CNRV*3012A**	0.99	0.93	58CV(A.X)135-22	CNRV*3012A**	0.99	0.93	58CV(A.X)135-22
CNRV*3012A**	1.00	1.00		CSRH*3612A**	0.99	0.93	58CV(A.X)135-22	CSRH*3612A**	0.99	0.93	58CV(A.X)135-22
FA4CN(F)C030	0.99	0.99		CNRH*3017A**	0.99	0.93	58CV(A.X)155-22	CNRH*3017A**	0.99	0.93	58CV(A.X)155-22
FA4CN(F)C036	1.00	1.00		CNRH*3612A**	0.99	0.93	58CV(A.X)155-22	CNRH*3612A**	0.99	0.93	58CV(A.X)155-22
FC4DN(F)B036	1.02	0.95		CNRH*3017A**	0.99	0.93	58CV(A.X)155-22	CNRH*3017A**	0.99	0.93	58CV(A.X)155-22
FC4DN(F)B036	1.01	0.94		CNRH*3612A**	0.99	0.93	58CV(A.X)155-22	CNRH*3612A**	0.99	0.93	58CV(A.X)155-22
FF1ENE030	0.99	0.99		CAR**3017A**	1.04	0.97	58MEB040-12	CAR**3017A**	1.04	0.97	58MEB040-12
FF1ENE036	1.00	1.00		CAR**3617A**	1.04	0.97	58MEB040-12	CAR**3617A**	1.04	0.97	58MEB040-12
FK4DN(B)F003	1.01	0.94		CNRH*3017A**	1.04	0.97	58MEB040-12	CNRH*3017A**	1.04	0.97	58MEB040-12
FK4DN(B)F005	1.04	0.97		CNRH*3617A**	1.04	0.97	58MEB040-12	CNRH*3617A**	1.04	0.97	58MEB040-12
FK4DN(B)F005	0.99	0.93		CNRV*3017A**	1.04	0.97	58MEB040-12	CNRV*3017A**	1.04	0.97	58MEB040-12
FK4DNF002	1.01	0.94		CNRV*3617A**	1.04	0.97	58MEB040-12	CNRV*3617A**	1.04	0.97	58MEB040-12
CAR**3014A**	0.99	0.92	58CV(A.X)070-12	CNRH*3012A**	0.99	0.93	58CV(A.X)070-12	CNRH*3012A**	0.99	0.93	58CV(A.X)070-12
CAR**3614A**	0.99	0.93	58CV(A.X)070-12	CSRH*3612A**	0.99	0.93	58CV(A.X)070-12	CSRH*3612A**	0.99	0.93	58CV(A.X)070-12
CNRH*3017A**	0.99	0.93	58CV(A.X)070-12	CAR**3017A**	1.04	0.97	58MEB060-12	CAR**3017A**	1.04	0.97	58MEB060-12
CNRH*3617A**	0.99	0.93	58CV(A.X)070-12	CAR**3617A**	1.04	0.97	58MEB060-12	CAR**3617A**	1.04	0.97	58MEB060-12
CSRH*3012A**	0.99	0.92	58CV(A.X)070-12	CNRH*3017A**	1.04	0.97	58MEB060-12	CNRH*3017A**	1.04	0.97	58MEB060-12
CSRH*3612A**	0.99	0.93	58CV(A.X)070-12	CNRH*3617A**	1.04	0.97	58MEB060-12	CNRH*3617A**	1.04	0.97	58MEB060-12
CAR**3017A**	0.99	0.93	58CV(A.X)090-16	CNRV*3017A**	1.04	0.97	58MEB060-12	CNRV*3017A**	1.04	0.97	58MEB060-12
CAR**3617A**	0.99	0.93	58CV(A.X)090-16	CSRH*3012A**	1.04	0.97	58MEB060-12	CSRH*3012A**	1.04	0.97	58MEB060-12
CNRH*3017A**	0.99	0.93	58CV(A.X)090-16	CSRH*3612A**	1.04	0.97	58MEB060-12	CSRH*3612A**	1.04	0.97	58MEB060-12
CNRH*3617A**	0.99	0.93	58CV(A.X)090-16	CAR**3612A**	1.04	0.97	58MEB060-12	CAR**3612A**	1.04	0.97	58MEB060-12
CNRH*3017A**	0.99	0.93	58CV(A.X)090-16	CAR**3017A**	1.04	0.97	58MEB060-12	CAR**3017A**	1.04	0.97	58MEB060-12
CNRH*3617A**	0.99	0.93	58CV(A.X)090-16	CAR**3612A**	1.04	0.97	58MEB060-12	CAR**3612A**	1.04	0.97	58MEB060-12
CNRH*3017A**	0.99	0.93	58CV(A.X)090-16	CAR**3017A**	1.04	0.97	58MEB060-12	CAR**3017A**	1.04	0.97	58MEB060-12
CNRH*3617A**	0.99	0.93	58CV(A.X)090-16	CAR**3612A**	1.04	0.97	58MEB060-12	CAR**3612A**	1.04	0.97	58MEB060-12

24ABS3

DETAILED COOLING CAPACITIES#

24ABS330(A,G)30 Outdoor Section With CAR**3014A Indoor Section

COOLING INDOOR MODEL	CAPACITY	POWER	FURNACE MODEL
CNRH*3617A**	0.99	0.93	58MV(B,C)080-20
CNRV*3621A**	0.99	0.93	58MV(B,C)080-20
CSRH*3012A**	1.00	0.93	58MV(B,C)080-20
CSRH*3612A**	0.99	0.93	58MV(B,C)080-20
CAR**3621A**	1.02	0.95	58MV(B,C)100-20
CNRH*3017A**	0.99	0.92	58MV(B,C)100-20
CNRH*3617A**	0.99	0.92	58MV(B,C)100-20
CNRV*3621A**	0.99	0.92	58MV(B,C)100-20
CSRH*3012A**	0.99	0.93	58MV(B,C)100-20
CSRH*3612A**	0.99	0.93	58MV(B,C)100-20
CNRH*3017A**	0.99	0.93	58MV(B,C)120-20
CNRH*3617A**	0.99	0.93	58MV(B,C)120-20
CSRH*3012A**	1.00	0.93	58MV(B,C)120-20
CSRH*3612A**	0.99	0.93	58MV(B,C)120-20
CAP**3017A**	1.04	0.97	58PH*070-16
CAP**3617A**	1.04	0.97	58PH*070-16
CNPV*3017A**	1.04	0.97	58PH*070-16
CNPV*3617A**	1.04	0.97	58PH*070-16
CSPH*3012A**	1.04	0.97	58PH*070-16
CSPH*3612A**	1.04	0.97	58PH*070-16
CAP**3621A**	1.05	0.96	58PH*090-16
CNPV*3017A**	1.04	0.97	58PH*090-16
CNPV*3617A**	1.04	0.97	58PH*090-16
CSPH*3012A**	1.04	0.97	58PH*090-16
CSPH*3612A**	1.05	0.96	58PH*090-16

See notes on page 61

DETAILED COOLING CAPACITIES#

EVAPORATOR AIR		CONDENSER ENTERING AIR TEMPERATURES °F (°C)																		
CFM	EWB °F (°C)	75 (23.9)			85 (29.4)			95 (35)			105 (40.6)			115 (46.1)			125 (51.7)			
		Capacity MBtuh		Total System KW**	Capacity MBtuh		Total System KW**	Capacity MBtuh		Total System KW**	Capacity MBtuh		Total System KW**	Capacity MBtuh		Total System KW**	Capacity MBtuh		Total System KW**	
		Total	Sens†		Total	Sens†		Total	Sens†		Total	Sens†	Total	Sens†		Total	Sens†		Total	Sens†
875	72 (22.2)	32.76	16.95	2.10	31.66	16.56	2.30	30.53	16.15	2.52	29.33	15.72	2.77	28.08	15.28	3.06	26.78	14.82	3.39	
	67 (19.4)	29.88	20.98	2.09	28.89	20.59	2.29	27.80	20.16	2.51	26.65	19.70	2.77	25.45	19.23	3.05	24.19	18.74	3.36	
	63 (17.2)††	27.87	20.32	2.07	26.92	19.91	2.27	25.86	19.46	2.50	24.75	18.98	2.75	23.58	18.49	3.04	22.35	17.97	3.38	
	62 (16.7)	27.53	24.98	2.06	26.62	24.56	2.27	25.62	24.07	2.49	24.59	24.37	2.75	23.61	23.61	3.04	22.62	22.62	3.37	
	57 (13.9)	27.06	27.06	2.06	26.30	26.30	2.26	25.45	25.45	2.49	24.56	24.56	2.75	23.61	23.61	3.04	22.62	22.62	3.37	
1000	72 (22.2)	33.24	17.79	2.15	32.12	17.39	2.35	30.93	16.97	2.57	29.70	16.54	2.82	28.42	16.10	3.10	27.09	15.64	3.43	
	67 (19.4)	30.34	22.33	2.14	29.32	21.94	2.34	28.20	21.50	2.56	27.02	21.04	2.82	25.80	20.56	3.10	24.52	20.07	3.43	
	63 (17.2)††	28.31	21.58	2.12	27.33	21.17	2.32	26.25	20.71	2.55	25.11	20.23	2.80	23.91	19.73	3.09	22.66	19.20	3.42	
	62 (16.7)	28.18	28.07	2.12	27.24	27.24	2.32	26.38	26.38	2.55	25.44	25.44	2.81	24.45	24.45	3.09	23.42	23.42	3.42	
	57 (13.9)	28.07	28.07	2.12	27.27	27.27	2.32	26.38	26.38	2.55	25.44	25.44	2.81	24.46	24.46	3.09	23.42	23.42	3.42	
1125	72 (22.2)	33.58	18.57	2.19	32.41	18.16	2.39	31.21	17.75	2.61	29.96	17.32	2.86	28.65	16.87	3.15	27.29	16.41	3.47	
	67 (19.4)	30.69	23.62	2.19	29.64	23.22	2.39	28.50	22.77	2.61	27.30	22.31	2.86	26.06	21.82	3.15	24.77	21.31	3.48	
	63 (17.2)††	28.65	22.78	2.17	27.85	22.36	2.37	26.54	21.90	2.60	25.38	21.41	2.85	24.17	20.89	3.14	22.92	20.35	3.47	
	62 (16.7)	28.93	28.85	2.18	28.06	28.06	2.38	27.13	27.13	2.60	26.16	26.16	2.86	25.14	25.14	3.15	24.07	24.07	3.47	
	57 (13.9)	28.89	28.89	2.17	28.06	28.06	2.38	27.14	27.14	2.60	26.16	26.16	2.86	25.14	25.14	3.15	24.08	24.08	3.47	

COOLING INDOOR MODEL		CAPACITY		POWER	FURNACE MODEL	
MODEL	MODEL	Total	Sens†		Total	Sens†
*CAR**3617A**	CNRV*3617A**	1.00	1.00	0.91	58CVA.XI090-16	
CAR**3014A**	CSRH*3012A**	1.00	1.00	0.92	58CVA.XI090-16	
CAR**3617A**	CSRH*3612A**	1.00	1.00	0.92	58CVA.XI090-16	
CAR**3614A**	CAR**3621A**	1.00	1.00	0.92	58CVA.XI110-20	
CAR**3621A**	CNRH*3017A**	0.99	0.99	0.91	58CVA.XI110-20	
CNRH*3017A**	CNRH*3617A**	0.99	0.99	0.91	58CVA.XI110-20	
CNRH*3017A**	CNRV*3621A**	0.99	0.99	0.91	58CVA.XI110-20	
CNRH*3612A**	CSRH*3012A**	1.00	1.00	0.92	58CVA.XI110-20	
CNRH*3014A**	CSRH*3612A**	1.00	1.00	0.92	58CVA.XI110-20	
CNRV*3017A**	CNRH*3017A**	1.00	0.99	0.91	58CVA.XI135-22	
CNRV*3621A**	CNRH*3617A**	1.00	1.00	0.92	58CVA.XI135-22	
CSRH*3012A**	CNRV*3612A**	1.00	0.99	0.92	58CVA.XI135-22	
CSRH*3612A**	CNRH*3017A**	0.99	0.99	0.91	58CVA.XI155-22	
F44CN(F)C030	CNRH*3617A**	0.97	0.97	0.91	58CVA.XI155-22	
F44DN(F)B036	CSRH*3012A**	1.00	1.00	0.92	58CVA.XI155-22	
F44DN(F)030	CSRH*3612A**	1.00	1.00	0.92	58CVA.XI155-22	
FF1ENE036	CAR**3017A**	1.00	1.00	0.92	58MEB040-12	
FK4DN(B)F003	CAR**3617A**	1.00	1.00	0.92	58MEB040-12	
FK4DN(F)005	CNRH*3017A**	1.00	1.00	0.92	58MEB040-12	
FK4DNF002	CNRH*3617A**	0.99	0.99	0.92	58MEB040-12	
CAR**3014A**	CNRV*3017A**	0.99	0.99	0.92	58MEB040-12	
CAR**3614A**	CSRH*3012A**	0.99	0.99	0.92	58MEB040-12	
CNRH*3017A**	CSRH*(A.XI070-12	0.93	0.93	0.93	58MEB040-12	
CNRH*3617A**	58CV(A.XI070-12	0.99	0.99	0.93	58MEB040-12	
CNRV*3014A**	58CV(A.XI070-12	0.99	0.99	0.93	58MEB040-12	
CNRH*3017A**	58CV(A.XI070-12	0.99	0.99	0.93	58MEB040-12	
CNRH*3617A**	58CV(A.XI090-16	0.99	0.99	0.91	58MEB040-12	
CNRH*3017A**	58CV(A.XI090-16	0.99	0.99	0.91	58MEB040-12	
CNRH*3617A**	58CV(A.XI090-16	0.99	0.99	0.91	58MEB040-12	
CNRV*3017A**	58CV(A.XI090-16	0.99	0.99	0.91	58MEB040-12	

24ABS3

DETAILED COOLING CAPACITIES#

24ABS331(A,G)31 Outdoor Section With CAR**3014A** Indoor Section

COOLING INDOOR MODEL	CAPACITY	POWER	FURNACE MODEL
CSRH*3012A**	1.00	0.94	58MV(B,C)080-20
CSRH*3612A**	1.00	0.92	58MV(B,C)080-20
CAR**3621A**	0.99	0.90	58MV(B,C)100-20
CNRH*3017A**	0.99	0.93	58MV(B,C)100-20
CNRH*3617A**	0.99	0.93	58MV(B,C)100-20
CNRV*3621A**	0.99	0.93	58MV(B,C)100-20
CSRH*3012A**	1.00	0.92	58MV(B,C)100-20
CNRH*3017A**	0.99	0.91	58MV(B,C)120-20
CNRH*3617A**	0.99	0.91	58MV(B,C)120-20
CSRH*3612A**	1.00	0.92	58MV(B,C)120-20
CNRH*3017A**	0.99	0.93	58MV(B,C)120-20
CNRH*3617A**	0.99	0.93	58MV(B,C)120-20
CSRH*3012A**	0.99	0.93	58MV(B,C)120-20
CAR**3017A**	1.00	0.92	58PH*070-16
CAR**3617A**	1.00	0.94	58PH*070-16
CNRH*3017A**	1.00	0.94	58PH*070-16
CNRH*3617A**	1.00	0.94	58PH*070-16
CNRV*3017A**	1.00	0.94	58PH*070-16
CNRV*3617A**	1.00	0.94	58PH*070-16
CSRH*3012A**	1.00	0.94	58PH*070-16
CSRH*3612A**	1.00	0.92	58PH*070-16
CAR**3621A**	1.00	0.92	58PH*090-16
CNRH*3017A**	1.00	0.94	58PH*090-16
CNRH*3617A**	1.00	0.94	58PH*090-16
CNRV*3621A**	1.00	0.94	58PH*090-16
CSRH*3012A**	1.00	0.94	58PH*090-16
CSRH*3612A**	1.00	0.92	58PH*090-16

DETAILED COOLING CAPACITIES#

24ABS336(A,G)30 Outdoor Section With CAP**3617 Indoor Section

COOLING INDOOR MODEL	CAPACITY	POWER	FURNACE MODEL
CNRH*3617A**	0.99	0.95	58MV(B,C)080-20
CNRH*4221A**	1.00	0.93	58MV(B,C)080-20
CNRV*3621A**	0.99	0.95	58MV(B,C)080-20
CNRV*4221A**	1.00	0.93	58MV(B,C)080-20
CSRH*3612A**	1.00	0.93	58MV(B,C)080-20
CSRH*4212A**	1.00	0.93	58MV(B,C)080-20
CAR**3621A**	1.00	0.93	58MV(B,C)100-20
CAR**4221A**	1.01	0.94	58MV(B,C)100-20
CNRH*3617A**	0.99	0.95	58MV(B,C)100-20
CNRH*4221A**	1.01	0.94	58MV(B,C)100-20
CNRV*3621A**	0.99	0.95	58MV(B,C)100-20
CNRV*4221A**	1.01	0.94	58MV(B,C)100-20
CSRH*3612A**	0.99	0.93	58MV(B,C)100-20
CSRH*4212A**	1.01	0.94	58MV(B,C)100-20
CAR**3617A**	0.99	0.99	58PH*045-08
CAR**4224A**	1.01	0.94	58MV(B,C)120-20
CNRH*3617A**	0.99	0.95	58MV(B,C)120-20
CNRH*4221A**	1.01	0.94	58MV(B,C)120-20
CSRH*3612A**	0.99	0.93	58MV(B,C)120-20
CSRH*4212A**	1.01	0.94	58MV(B,C)120-20
CAR**3617A**	0.99	0.99	58PH*045-08
CAR**4221A**	1.03	1.00	58PH*045-08
CSRH*3612A**	1.02	1.02	58PH*045-08
CSRH*4212A**	1.03	1.00	58PH*045-08
CAR**3617A**	1.02	0.98	58PH*070-16
CNRH*3617A**	1.02	0.97	58PH*070-16
CNRH*4221A**	1.04	0.99	58PH*070-16
CNRV*3617A**	1.02	0.97	58PH*070-16
CNRV*4221A**	1.02	0.97	58PH*070-16
CSRH*3612A**	1.02	0.97	58PH*070-16
CSRH*4212A**	1.04	0.99	58PH*070-16
CAR**3621A**	1.04	0.97	58PH*090-16
CAR**4221A**	1.04	0.97	58PH*090-16
CNRH*3617A**	1.02	0.96	58PH*090-16
CNRH*4221A**	1.04	0.97	58PH*090-16
CNRV*3621A**	1.02	0.96	58PH*090-16
CNRV*4221A**	1.04	0.97	58PH*090-16
CSRH*3612A**	1.02	0.96	58PH*090-16
CSRH*4212A**	1.04	0.97	58PH*090-16
CAR**3621A**	1.04	0.97	58PH*110-20
CAR**4221A**	1.05	0.98	58PH*110-20
CNRH*3617A**	1.03	0.96	58PH*110-20
CNRH*4221A**	1.05	0.98	58PH*110-20
CNRV*3621A**	1.03	0.96	58PH*110-20
CNRV*4221A**	1.05	0.98	58PH*110-20
CSRH*3612A**	1.03	0.96	58PH*110-20
CSRH*4212A**	1.05	0.98	58PH*110-20

See notes on page 61

DETAILED COOLING CAPACITIES#

CFM	EWB ° F (° C)	CONDENSER ENTERING AIR TEMPERATURES ° F (° C)																							
		75 (25.9)				85 (29.4)				95 (35)				105 (40.6)				115 (46.1)				125 (51.7)			
		Capacity MBtuh		Total System KW**		Capacity MBtuh		Total System KW**		Capacity MBtuh		Total System KW**		Capacity MBtuh		Total System KW**		Capacity MBtuh		Total System KW**		Capacity MBtuh		Total System KW**	
		72 (22.2)	47.43	25.08	2.94	45.76	24.44	3.24	44.00	23.78	3.59	42.17	23.09	3.96	40.25	22.38	4.37	38.23	4.82	36.42	28.02	4.33	34.57	27.27	4.74
1225		67 (19.4)	43.05	30.75	2.91	41.50	30.10	3.21	39.88	29.42	3.55	38.19	28.73	3.93	36.42	28.02	4.30	31.95	4.74	35.37	27.67	3.90	31.95	26.18	4.74
		63 (17.2)†	39.93	29.69	2.89	38.48	29.04	3.19	36.98	28.36	3.53	35.37	27.67	3.90	33.71	26.94	4.30	31.95	4.74	35.37	27.67	3.90	31.95	26.18	4.74
		62 (16.7)	39.38	30.42	2.88	38.01	30.75	3.19	36.58	30.04	3.53	34.93	28.02	3.90	33.60	27.27	4.30	32.18	4.74	35.37	27.67	3.90	31.95	26.18	4.74
		57 (13.9)	38.53	36.53	2.88	37.39	37.39	3.18	36.20	36.20	3.52	34.93	34.93	3.90	33.60	33.60	4.44	32.18	4.74	35.37	27.67	3.90	31.95	26.18	4.74
		72 (22.2)	48.20	28.23	3.01	46.45	25.58	3.31	44.63	24.91	3.66	42.73	24.22	4.03	40.74	23.50	4.44	36.85	4.89	40.74	23.50	4.44	36.85	22.75	4.89
		67 (19.4)	43.77	32.62	2.98	42.17	31.97	3.28	40.50	31.29	3.62	38.76	30.59	4.00	36.94	29.86	4.41	35.03	4.85	38.76	29.86	4.41	35.03	29.10	4.85
1400		63 (17.2)†	40.62	31.45	2.96	39.12	30.79	3.26	37.55	30.11	3.60	35.92	29.40	3.97	34.20	28.66	4.37	32.40	4.81	34.20	28.66	4.37	32.40	27.88	4.81
		62 (16.7)	40.32	38.94	2.95	38.94	38.20	3.26	37.49	37.49	3.60	36.22	36.22	3.97	34.80	34.80	4.38	33.30	4.83	34.80	34.80	4.38	33.30	33.30	4.83
		57 (13.9)	40.04	40.04	2.95	38.83	38.83	3.26	37.56	37.56	3.60	36.22	36.22	3.97	34.80	34.80	4.38	33.30	4.83	34.80	34.80	4.38	33.30	33.30	4.83
		72 (22.2)	48.78	27.35	3.08	46.97	26.69	3.38	45.10	26.01	3.73	43.15	25.31	4.10	41.10	24.58	4.52	38.96	4.93	41.10	24.58	4.52	38.96	23.93	4.93
1575		67 (19.4)	44.37	34.46	3.05	42.72	33.80	3.35	41.00	33.11	3.69	39.21	32.40	4.07	37.34	31.65	4.48	35.40	4.98	39.21	32.40	4.07	37.34	30.86	4.98
		63 (17.2)†	41.19	33.18	3.03	39.65	32.51	3.33	38.03	31.81	3.67	36.35	31.08	4.04	34.60	30.32	4.45	32.76	4.98	34.60	30.32	4.45	32.76	29.51	4.98
		62 (16.7)	41.24	41.24	3.03	40.02	40.02	3.33	38.68	38.68	3.67	37.27	37.27	4.05	35.78	35.78	4.46	34.21	4.98	35.78	35.78	4.46	34.21	34.21	4.98
		57 (13.9)	41.30	41.30	3.03	40.02	40.02	3.33	38.68	38.68	3.67	37.27	37.27	4.05	35.79	35.79	4.46	34.21	4.98	35.79	35.79	4.46	34.21	34.21	4.98

24ABS342(A,G)30 Outdoor Section With CAR**2414** Indoor Section

COOLING INDOOR MODEL	CAPACITY	POWER	FURNACE MODEL	COOLING INDOOR MODEL	CAPACITY	POWER	FURNACE MODEL	COOLING INDOOR MODEL	CAPACITY	POWER	FURNACE MODEL	COOLING INDOOR MODEL	CAPACITY	POWER	FURNACE MODEL	COOLING INDOOR MODEL	CAPACITY	POWER	FURNACE MODEL
CAR**4817A**	1.00	1.00	58CV(A,X)135-22	CAR**4224A**	1.00	0.96	58CV(A,X)135-22	CAR**4824A**	1.01	0.97	58MEB100-20	CAR**4821A**	1.00	0.92	58MEB100-20	CNRH**4221A**	1.00	0.93	58MEB100-20
CAR**4821A**	1.02	1.02	58CV(A,X)135-22	CNRH**4221A**	1.01	0.97	58CV(A,X)135-22	CNRH**4824A**	1.01	0.97	58MEB100-20	CNRH**4821A**	1.00	0.92	58MEB100-20	CNRH**4221A**	1.00	0.93	58MEB100-20
CNRH**4818A**	1.00	1.00	58CV(A,X)135-22	CNRH**4821A**	1.01	0.97	58CV(A,X)135-22	CNRH**4821A**	1.01	0.97	58MEB100-20	CNRV**4221A**	1.00	0.92	58MEB100-20	CNRV**4221A**	1.00	0.92	58MEB100-20
CNRH**4221A**	1.00	1.00	58CV(A,X)135-22	CNRV**4824A**	1.01	0.97	58CV(A,X)135-22	CNRV**4821A**	1.00	0.92	58MEB100-20	CNRV**4821A**	1.00	0.92	58MEB100-20	CNRV**4821A**	1.00	0.92	58MEB100-20
CNRV**4221A**	1.02	1.02	58CV(A,X)135-22	CNRV**4821A**	1.00	0.94	58CV(A,X)135-22	CNRV**4821A**	1.00	0.92	58MEB100-20	CNRV**4821A**	1.00	0.92	58MEB100-20	CNRV**4821A**	1.00	0.92	58MEB100-20
FA4CN(F)C048	1.02	1.01	58CV(A,X)155-22	CNRV**4824A**	1.01	0.97	58CV(A,X)155-22	CNRV**4824A**	1.00	0.94	58MEB100-20	CNRV**4824A**	1.00	0.92	58MEB100-20	CNRV**4824A**	1.00	0.92	58MEB100-20
FA4CN(F)D48	1.02	1.01	58CV(A,X)155-22	CNRV**4821A**	1.00	0.94	58CV(A,X)155-22	CNRV**4821A**	1.00	0.94	58MEB100-20	CNRV**4821A**	1.00	0.92	58MEB100-20	CNRV**4821A**	1.00	0.92	58MEB100-20
FA4DN(F)B048	1.05	1.00	58MEB040-12	CAR**4817A**	1.00	0.94	58MEB040-12	CAR**4817A**	1.00	0.94	58MEB040-12	CAR**4824A**	1.00	0.97	58MV(B,C)040-14	CAR**4824A**	1.00	0.97	58MV(B,C)040-14
FK4DN(B,F)003	0.99	0.94	58MEB040-12	CNRH**4221A**	1.00	0.94	58MEB040-12	CNRH**4221A**	1.00	0.94	58MEB040-12	CNRH**4221A**	1.00	0.97	58MV(B,C)040-14	CNRH**4221A**	1.00	0.97	58MV(B,C)040-14
FK4DN(B,F)005	1.04	0.99	58MEB040-12	CNRH**4821A**	1.00	0.94	58MEB040-12	CNRH**4821A**	1.00	0.94	58MEB040-12	CNRH**4821A**	1.00	0.97	58MV(B,C)040-14	CNRH**4821A**	1.00	0.97	58MV(B,C)040-14
FK4DN(B,F)006	1.05	1.00	58MEB040-12	CNRH**4821A**	1.00	0.94	58MEB040-12	CNRH**4821A**	1.00	0.94	58MEB040-12	CNRH**4821A**	1.00	0.97	58MV(B,C)040-14	CNRH**4821A**	1.00	0.97	58MV(B,C)040-14
CNRH**4221A**	0.99	0.97	58CV(A,X)070-12	CNRH**4812A**	1.00	0.94	58MEB080-12	CNRH**4812A**	1.00	0.94	58MEB080-12	CNRH**4812A**	1.00	0.97	58MV(B,C)080-14	CNRH**4812A**	1.00	0.97	58MV(B,C)080-14
CNRH**4821A**	1.01	0.99	58CV(A,X)070-12	CAR**4817A**	1.00	0.94	58MEB080-12	CAR**4817A**	1.00	0.94	58MEB080-12	CAR**4817A**	1.00	0.97	58MV(B,C)080-14	CAR**4817A**	1.00	0.97	58MV(B,C)080-14
CNRH**4812A**	0.99	0.97	58CV(A,X)090-16	CNRH**4221A**	1.00	0.94	58MEB080-12	CNRH**4221A**	1.00	0.94	58MEB080-12	CNRH**4221A**	1.00	0.97	58MV(B,C)080-14	CNRH**4221A**	1.00	0.97	58MV(B,C)080-14
CNRH**4812A**	1.00	0.96	58CV(A,X)090-16	CNRH**4812A**	1.00	0.94	58MEB080-12	CNRH**4812A**	1.00	0.94	58MEB080-12	CNRH**4812A**	1.00	0.97	58MV(B,C)080-14	CNRH**4812A**	1.00	0.97	58MV(B,C)080-14
CNRH**4812A**	1.00	0.98	58CV(A,X)090-16	CAR**4821A**	1.00	0.94	58MEB080-12	CAR**4821A**	1.00	0.94	58MEB080-12	CAR**4821A**	1.00	0.97	58MV(B,C)080-14	CAR**4821A**	1.00	0.97	58MV(B,C)080-14
CAR**4221A**	1.00	0.98	58CV(A,X)110-20	CNRH**4812A**	1.00	0.94	58MEB080-12	CNRH**4812A**	1.00	0.94	58MEB080-12	CNRH**4812A**	1.00	0.97	58MV(B,C)080-14	CNRH**4812A**	1.00	0.97	58MV(B,C)080-14
CAR**4821A**	1.01	0.97	58CV(A,X)110-20	CAR**4817A**	1.00	0.94	58MEB080-12	CAR**4817A**	1.00	0.94	58MEB080-12	CAR**4817A**	1.00	0.97	58MV(B,C)080-14	CAR**4817A**	1.00	0.97	58MV(B,C)080-14
CNRH**4221A**	0.99	0.94	58CV(A,X)110-20	CNRH**4812A**	1.00	0.94	58MEB080-12	CNRH**4812A**	1.00	0.94	58MEB080-12	CNRH**4812A**	1.00	0.97	58MV(B,C)080-14	CNRH**4812A**	1.00	0.97	58MV(B,C)080-14
CNRH**4821A**	0.99	0.94	58CV(A,X)110-20	CNRH**4221A**	1.00	0.94	58MEB080-12	CNRH**4221A**	1.00	0.94	58MEB080-12	CNRH**4221A**	1.00	0.97	58MV(B,C)080-14	CNRH**4221A**	1.00	0.97	58MV(B,C)080-14
CNRV**4221A**	0.99	0.94	58CV(A,X)110-20	CNRH**4821A**	1.00	0.94	58MEB080-12	CNRH**4821A**	1.00	0.94	58MEB080-12	CNRH**4821A**	1.00	0.97	58MV(B,C)080-14	CNRH**4821A**	1.00	0.97	58MV(B,C)080-14
CNRV**4821A**	0.99	0.94	58CV(A,X)110-20	CNRV**4821A**	1.00	0.94	58MEB080-12	CNRV**4821A**	1.00	0.94	58MEB080-12	CNRV**4821A**	1.00	0.97	58MV(B,C)080-14	CNRV**4821A**	1.00	0.97	58MV(B,C)080-14
CNRV**4821A**	1.01	0.97	58CV(A,X)110-20	CNRV**4824A**	1.00	0.94	58MEB080-12	CNRV**4824A**	1.00	0.94	58MEB080-12	CNRV**4824A**	1.00	0.97	58MV(B,C)080-14	CNRV**4824A**	1.00	0.97	58MV(B,C)080-14

DETAILED COOLING CAPACITIES#

24ABS42(A,C)30 Outdoor Section With CAR**2414** Indoor Section

COOLING INDOOR MODEL	CAPACITY	POWER	FURNACE MODEL
CSRH*4812A**	1.00	0.98	58MV(B,C)080-14
CAR**4221A**	0.99	0.97	58MV(B,C)080-20
CAR**4821A**	1.01	0.99	58MV(B,C)080-20
CNRH*4221A**	0.99	0.97	58MV(B,C)080-20
CNRH*4821A**	1.01	0.99	58MV(B,C)080-20
CNRV*4221A**	0.99	0.97	58MV(B,C)080-20
CNRV*4821A**	1.01	0.99	58MV(B,C)080-20
CSRH*4812A**	1.00	0.98	58MV(B,C)080-20
CAR**4221A**	0.99	0.97	58MV(B,C)100-20
CAR**4821A**	1.01	0.97	58MV(B,C)100-20
CNRH*4221A**	0.99	0.94	58MV(B,C)100-20
CNRH*4821A**	1.01	0.97	58MV(B,C)100-20
CNRV*4221A**	0.99	0.94	58MV(B,C)100-20
CNRV*4821A**	1.01	0.97	58MV(B,C)100-20
CSRH*4212A**	0.99	0.94	58MV(B,C)100-20
CSRH*4812A**	1.00	0.96	58MV(B,C)100-20
CAR**4224A**	0.99	0.97	58MV(B,C)120-20
CAR**4824A**	1.01	0.97	58MV(B,C)120-20
CNRH*4221A**	0.99	0.94	58MV(B,C)120-20
CNRH*4821A**	1.01	0.97	58MV(B,C)120-20
CNRV*4221A**	0.99	0.94	58MV(B,C)120-20
CNRV*4821A**	1.00	0.96	58MV(B,C)120-20
CNRH*4821A**	0.98	0.93	58PH*070-16
CNRH*4221A**	1.00	0.96	58PH*070-16
CNRH*4821A**	0.99	0.94	58PH*070-16
CSRH*4212A**	0.99	0.94	58PH*070-16
CSRH*4812A**	1.00	0.96	58PH*070-16
CAR**4221A**	0.99	0.93	58PH*090-16
CAR**4821A**	1.00	0.92	58PH*090-16
CNRH*4221A**	0.99	0.93	58PH*090-16
CNRH*4821A**	1.00	0.92	58PH*090-16
CNRV*4221A**	0.99	0.93	58PH*090-16
CNRV*4821A**	1.00	0.92	58PH*090-16
CNRH*4221A**	0.99	0.92	58PH*110-20
CNRH*4821A**	1.00	0.92	58PH*110-20
CNRV*4221A**	0.99	0.93	58PH*110-20
CNRV*4821A**	1.00	0.92	58PH*110-20
CSRH*4212A**	0.99	0.93	58PH*110-20
CSRH*4812A**	1.00	0.92	58PH*110-20
CAR**4224A**	0.99	0.93	58PH*135-20
CAR**4824A**	1.00	0.92	58PH*135-20
CNRH*4221A**	0.99	0.93	58PH*135-20
CNRH*4821A**	1.00	0.92	58PH*135-20
CNRV*4221A**	0.99	0.93	58PH*135-20
CNRV*4821A**	1.00	0.92	58PH*135-20

See notes on page 61

DETAILED COOLING CAPACITIES#

EVAPORATOR AIR		CONDENSER ENTERING AIR TEMPERATURES °F (°C)																	
CFM	EWB °F (°C)	75 (23.9)			85 (29.4)			95 (35)			105 (40.6)			115 (46.1)			125 (51.7)		
		Capacity MBTuh		Total System KW**	Capacity MBTuh		Total System KW**	Capacity MBTuh		Total System KW**	Capacity MBTuh		Total System KW**	Capacity MBTuh		Total System KW**	Capacity MBTuh		Total System KW**
		Total	Sens†	Total	Sens†	Total	Sens†	Total	Sens†	Total	Sens†	Total	Sens†	Total	Sens†	Total	Sens†	Total	Sens†
1700	72 (22.2)	66.33	34.22	4.34	63.89	33.30	4.71	61.36	32.37	31.40	5.67	55.92	30.38	6.29	52.94	29.31	7.01		
	67 (19.4)	60.54	42.01	4.27	58.32	41.09	4.65	56.00	40.15	5.09	53.56	39.16	5.61	50.96	38.12	48.17	37.01	6.94	
	63 (17.2)†	56.35	40.68	4.21	54.27	39.76	4.59	52.10	38.81	5.04	49.80	37.81	5.55	47.33	36.75	44.66	35.61	6.87	
	62 (16.7)	55.46	49.74	4.20	53.47	48.79	4.58	51.40	47.80	5.03	48.23	46.83	5.55	46.95	45.53	44.71	44.71	6.87	
	57 (13.9)	53.96	53.96	4.18	52.35	52.35	4.57	50.65	50.65	5.02	48.83	48.83	5.54	46.86	46.86	44.72	44.72	6.87	
1950	72 (22.2)	67.45	35.90	4.45	64.90	34.97	4.82	62.27	34.02	5.26	59.53	33.04	5.78	56.63	32.01	53.55	30.93	7.11	
	67 (19.4)	61.64	44.75	4.38	59.32	43.82	4.76	56.91	42.86	5.20	54.38	41.86	5.72	51.69	40.80	48.82	39.67	7.05	
	63 (17.2)†	57.43	49.26	4.32	55.26	42.33	4.71	53.00	41.36	5.15	50.62	40.34	5.67	48.07	39.26	45.32	38.09	6.98	
	62 (16.7)	56.80	59.41	4.32	54.78	52.37	4.70	52.71	52.29	5.15	50.70	50.70	5.67	48.61	48.61	46.34	46.34	7.01	
	57 (13.9)	56.20	56.20	4.31	54.47	54.47	4.70	52.65	52.65	5.15	50.71	50.71	5.67	48.61	48.61	46.34	46.34	7.01	
2200	72 (22.2)	68.26	37.49	4.56	65.61	36.55	4.92	62.90	35.59	5.36	60.08	34.59	5.88	57.10	33.56	53.95	32.47	7.21	
	67 (19.4)	62.46	47.37	4.49	60.05	46.41	4.87	57.57	45.44	5.31	54.97	44.41	5.83	52.22	43.33	49.30	42.18	7.16	
	63 (17.2)†	58.22	45.71	4.43	55.99	44.76	4.81	53.67	43.77	5.26	51.22	42.73	5.77	48.61	41.62	45.82	40.42	7.10	
	62 (16.7)	57.95	57.95	4.43	56.18	56.18	4.82	54.25	54.25	5.27	52.20	52.20	5.79	50.00	50.00	47.62	47.62	7.13	
	57 (13.9)	56.01	56.01	4.43	56.18	56.18	4.82	54.26	54.26	5.27	52.20	52.20	5.79	50.00	50.00	47.63	47.63	7.13	

COOLING INDOOR MODEL		CAPACITY		POWER	FURNACE MODEL	
		Total	Sens†		Total	Sens†
*CAR**4821A**		1.00		1.00		
CAR**4817A**		0.98		0.98		
CAR**4824A**		1.01		1.01		
CAR**6021A**		1.03		1.03		
CAR**6024A**		1.03		1.03		
CNR**4818A**		0.98		0.98		
CNR**4821A**		1.00		1.00		
CNR**6024A**		1.03		1.03		
CNRV**4821A**		1.00		1.00		
CNRV**4824A**		1.00		1.00		
CNRV**6021A**		1.03		1.03		
CNRV**6024A**		1.03		1.03		
CAR**4817A**		0.97		0.97		
CAR**4821A**		0.98		0.98		
CAR**6024A**		1.01		1.01		
CNR**4821A**		0.98		0.98		
CNR**6021A**		1.01		1.01		
CNR**6024A**		1.03		1.03		
CNRV**4821A**		0.98		0.98		
CNRV**4824A**		1.01		1.01		
CNRV**6021A**		1.03		1.03		
CNRV**6024A**		1.03		1.03		
CAR**4817A**		0.97		0.97		
CAR**4821A**		0.96		0.96		
CAR**6024A**		1.01		1.01		
CNR**4821A**		0.98		0.98		
CNR**6021A**		1.01		1.01		
CNR**6024A**		1.03		1.03		
CNRV**4821A**		0.98		0.98		
CNRV**4824A**		1.01		1.01		
CNRV**6021A**		1.03		1.03		
CNRV**6024A**		1.03		1.03		

See notes on page 61



24ABS3

DETAILED COOLING CAPACITIES#

EVAPORATOR AIR		75 (23.9)		85 (29.4)		95 (36)		105 (40.6)		115 (46.1)		125 (51.7)						
CFM	EWB ° F (° C)	Capacity MBtuh		Total Sys-tem KW**	Capacity MBtuh		Total Sys-tem KW**	Capacity MBtuh		Total Sys-tem KW**	Capacity MBtuh		Total Sys-tem KW**					
		Total	Sens†		Total	Sens†		Total	Sens†		Total	Sens†						
1400	72 (22.2)	54.12	28.28	3.41	27.51	49.95	26.68	4.04	47.78	25.96	4.41	45.58	25.04	4.82	43.34	24.21	5.27	
	67 (19.4)	49.26	34.53	3.38	33.67	45.19	32.81	3.99	43.16	31.97	4.35	41.08	31.12	4.74	38.98	30.27	5.18	
	63 (17.2)††	45.54	39.30	3.35	32.45	41.76	31.59	3.95	39.82	30.74	4.30	37.86	29.87	4.68	35.85	29.01	5.10	
	62 (16.7)	44.79	40.67	3.34	42.95	39.78	38.89	3.94	39.27	37.98	4.29	37.46	37.03	4.68	35.80	35.80	5.11	
	57 (13.9)	43.36	43.36	3.33	41.90	40.41	40.41	3.93	38.91	38.91	4.28	37.37	37.37	4.67	35.80	35.80	5.11	
	72 (22.2)	55.34	29.69	3.50	53.08	28.85	50.82	28.01	4.13	48.57	27.18	4.50	46.28	26.35	4.90	43.96	25.51	5.36
1600	67 (19.4)	50.23	36.68	3.46	48.13	46.00	34.94	4.07	43.90	34.09	4.43	41.76	33.24	4.83	39.60	32.37	5.27	
	63 (17.2)††	46.46	35.33	3.43	44.50	42.53	33.59	4.03	40.54	32.73	4.38	38.51	31.86	4.77	36.45	30.97	5.19	
	62 (16.7)	45.90	43.58	3.43	44.03	42.64	41.65	4.03	40.47	40.47	4.38	38.85	38.85	4.78	37.19	37.19	5.22	
	57 (13.9)	45.23	45.23	3.42	43.66	43.66	42.08	4.03	40.48	40.48	4.39	38.86	38.86	4.78	37.19	37.19	5.22	
	72 (22.2)	56.11	30.96	3.58	53.78	30.10	51.45	29.25	4.21	49.13	28.41	4.58	46.79	27.58	4.99	44.41	28.73	5.44
	67 (19.4)	50.96	36.71	3.54	48.79	37.84	46.61	36.97	4.16	44.45	36.10	4.52	42.27	35.24	4.92	40.06	34.36	5.46
1800	63 (17.2)††	47.15	37.24	3.51	45.14	43.11	35.49	4.11	41.08	34.61	4.47	39.01	33.72	4.86	36.90	32.82	5.28	
	62 (16.7)	46.90	46.19	3.51	45.07	43.45	43.45	4.12	41.77	41.77	4.48	40.06	40.06	4.88	38.32	38.32	5.32	
	57 (13.9)	46.76	46.76	3.51	45.12	43.45	43.45	4.12	41.77	41.77	4.48	40.07	40.07	4.88	38.33	38.33	5.32	

CONDENSER ENTERING AIR TEMPERATURES ° F (° C)

COOLING INDOOR MODEL	CAPACITY	POWER	FURNACE MODEL		COOLING INDOOR MODEL	CAPACITY	POWER	FURNACE MODEL	
			FURNACE MODEL	FURNACE MODEL				FURNACE MODEL	FURNACE MODEL
CAR**4821A**	1.00	1.00	58CV(A,X)090-16	58CV(A,X)155-22	CNRH*4821A**	0.98	0.98	58MV(B,C)120-20	58MV(B,C)120-20
CAR**4817A**	0.98	0.98	58CV(A,X)090-16	58CV(A,X)155-22	CNRH*6024A**	1.01	0.99	58MV(B,C)120-20	58MV(B,C)120-20
CAR**4824A**	1.01	1.01	58CV(A,X)110-20	58CV(A,X)155-22	CNRV*4824A**	0.99	0.99	58MV(B,C)120-20	58MV(B,C)120-20
CAR**6021A**	1.03	1.03	58CV(A,X)110-20	58CV(A,X)155-22	CNRV*6024A**	1.01	0.99	58MV(B,C)120-20	58MV(B,C)120-20
CAR**6024A**	1.03	1.03	58CV(A,X)110-20	58CV(A,X)155-22	CSRH*4812A**	0.98	0.98	58MV(B,C)120-20	58MV(B,C)120-20
CNRH*4818A**	0.98	0.98	58CV(A,X)110-20	58CV(A,X)155-22	CSRH*6012A**	1.01	0.99	58MV(B,C)120-20	58MV(B,C)120-20
CNRH*4821A**	1.00	1.00	58CV(A,X)110-20	58CV(A,X)155-22	CAR**4821A**	0.95	0.95	58PH*090-16	58PH*090-16
CNRH*6024A**	1.03	1.03	58CV(A,X)090-16	58MEB080-16	CAR**6021A**	1.01	0.95	58PH*090-16	58PH*090-16
CNRV*4821A**	1.00	1.00	58MEB080-16	58MEB080-16	CNRH*4821A**	0.99	0.95	58PH*090-16	58PH*090-16
CNRV*4824A**	1.01	1.01	58MEB100-20	58MEB100-20	CNRH*6024A**	1.02	0.96	58PH*090-16	58PH*090-16
CNRV*6024A**	1.03	1.03	58MEB100-20	58MEB100-20	CNRV*4821A**	0.99	0.95	58PH*090-16	58PH*090-16
CSRH*4812A**	1.00	1.00	58MEB100-20	58MEB100-20	CSRH*4812A**	0.99	0.95	58PH*090-16	58PH*090-16
CSRH*6012A**	1.03	1.03	58MEB100-20	58MEB100-20	CSRH*6012A**	1.02	0.96	58PH*090-16	58PH*090-16
FA4CN(F)C048	1.02	1.02	58MEB120-20	58MEB120-20	CAR**4821A**	0.99	0.93	58PH*110-20	58PH*110-20
FA4CN(F)C060	1.04	1.04	58MEB120-20	58MEB120-20	CAR**6021A**	1.01	0.93	58PH*110-20	58PH*110-20
FA4DN(F)B048	1.03	1.01	58MEB120-20	58MEB120-20	CNRH*4821A**	0.99	0.93	58PH*110-20	58PH*110-20
FA4DN(F)B060	1.05	1.01	58MEB120-20	58MEB120-20	CNRH*6024A**	1.02	0.94	58PH*110-20	58PH*110-20
FK4DN(B)D05	1.02	0.98	58MEB120-20	58MEB120-20	CNRV*4821A**	0.99	0.93	58PH*110-20	58PH*110-20
FK4DN(B)D06	1.03	0.99	58MEB120-20	58MEB120-20	CSRH*4812A**	0.99	0.93	58PH*110-20	58PH*110-20
CAR**4817A**	0.97	0.97	58CV(A,X)090-16	58CV(A,X)155-22	CNRH*6012A**	1.02	0.93	58PH*110-20	58PH*110-20
CNRH*4821A**	0.98	0.96	58CV(A,X)090-16	58CV(A,X)155-22	CAR**4821A**	1.02	0.94	58PH*110-20	58PH*110-20
CNRH*6024A**	1.01	0.99	58CV(A,X)090-16	58CV(A,X)155-22	CAR**6024A**	1.02	0.96	58PH*135-20	58PH*135-20
CNRH*4812A**	0.98	0.96	58CV(A,X)110-20	58CV(A,X)155-22	CNRH*4812A**	1.02	0.96	58PH*135-20	58PH*135-20
CNRH*6012A**	1.01	0.99	58CV(A,X)110-20	58CV(A,X)155-22	CNRH*6024A**	1.02	0.96	58PH*135-20	58PH*135-20
CAR**4824A**	1.01	0.97	58CV(A,X)135-22	58CV(A,X)155-22	CNRV*4821A**	1.02	0.96	58PH*135-20	58PH*135-20
CAR**6024A**	1.01	0.99	58CV(A,X)135-22	58CV(A,X)155-22	CNRH*4812A**	1.02	0.96	58PH*135-20	58PH*135-20
CNRH*4821A**	0.98	0.96	58CV(A,X)135-22	58CV(A,X)155-22	CNRH*4812A**	1.02	0.96	58PH*135-20	58PH*135-20
CNRH*6024A**	1.01	0.99	58CV(A,X)135-22	58CV(A,X)155-22	CSRH*4812A**	1.02	0.96	58PH*135-20	58PH*135-20
CNRV*4824A**	0.99	0.97	58CV(A,X)135-22	58CV(A,X)155-22	CSRH*6012A**	1.01	0.96	58PH*135-20	58PH*135-20
CNRH*4812A**	1.01	0.99	58CV(A,X)135-22	58CV(A,X)155-22	CAR**4824A**	1.01	0.99	58PH*135-20	58PH*135-20
CNRH*6012A**	1.01	0.97	58CV(A,X)135-22	58CV(A,X)155-22	CAR**6024A**	1.01	0.99	58PH*135-20	58PH*135-20

See notes on page 61

DETAILED COOLING CAPACITIES#

EVAPORATOR AIR		CONDENSER ENTERING AIR TEMPERATURES °F (°C)																
CFM	EWB °F (°C)	75 (23.9)		85 (29.4)		95 (35)		105 (40.6)		115 (46.1)		125 (51.7)						
		Capacity MBtuh Total	Sens†	Capacity MBtuh Total	Sens†	Capacity MBtuh Total	Sens†	Capacity MBtuh Total	Sens†	Capacity MBtuh Total	Sens†	Capacity MBtuh Total	Sens†					
1700	72 (22.2)	66.33	34.22	4.34	33.30	4.71	61.36	32.37	5.15	58.72	31.40	5.67	55.92	30.38	6.29	52.94	29.31	7.01
	67 (19.4)	60.64	42.01	4.27	38.32	4.65	56.00	40.15	5.09	53.56	39.16	5.61	50.96	38.12	6.22	48.17	37.01	6.94
	63 (17.2)†	56.35	40.68	4.21	34.27	4.59	52.10	38.81	5.04	49.80	37.81	5.55	47.33	36.75	6.16	44.86	35.61	6.87
	62 (16.7)	53.46	49.74	4.20	33.47	4.58	51.40	47.80	5.03	48.23	46.73	5.55	46.95	45.53	6.16	44.71	44.71	6.87
	57 (13.9)	53.96	53.96	4.18	52.35	4.57	50.65	50.65	5.02	48.83	48.83	5.54	46.86	46.86	6.15	44.72	44.72	6.87
	72 (22.2)	67.45	35.90	4.45	34.97	4.82	62.27	34.02	5.26	59.53	33.04	5.78	56.63	32.01	6.39	53.55	30.93	7.11
1950	67 (19.4)	61.64	44.75	4.38	43.82	4.76	56.91	42.86	5.20	54.38	41.86	5.72	51.69	40.80	6.33	48.82	39.67	7.05
	63 (17.2)†	57.43	49.26	4.32	42.33	4.71	53.00	41.36	5.15	50.62	40.34	5.67	48.07	39.26	6.27	45.32	38.09	6.98
	62 (16.7)	56.80	53.41	4.32	42.33	4.70	52.71	52.29	5.15	50.70	50.70	5.67	48.61	48.61	6.29	46.34	46.34	7.01
	57 (13.9)	56.20	56.20	4.31	54.47	4.70	52.65	52.65	5.15	50.71	50.71	5.67	48.61	48.61	6.28	46.34	46.34	7.01
	72 (22.2)	68.26	37.49	4.56	36.55	4.92	62.90	35.59	5.36	60.08	34.59	5.88	57.10	33.56	6.49	53.95	32.47	7.21
	67 (19.4)	62.46	47.37	4.49	46.41	4.87	57.57	45.44	5.31	54.97	44.41	5.83	52.22	43.33	6.44	49.30	42.18	7.16
2200	63 (17.2)†	58.22	45.71	4.43	44.76	4.81	53.67	43.77	5.26	51.22	42.73	5.77	48.61	41.62	6.38	45.82	40.42	7.10
	62 (16.7)	57.95	57.95	4.43	56.18	4.82	54.25	54.25	5.27	52.20	52.20	5.79	50.00	50.00	6.41	47.62	47.62	7.13
	57 (13.9)	58.01	58.01	4.43	56.18	4.82	54.26	54.26	5.27	52.20	52.20	5.79	50.00	50.00	6.41	47.63	47.63	7.13

COOLING INDOOR MODEL	CAPACITY	POWER	FURNACE MODEL	COOLING INDOOR MODEL		CAPACITY	POWER	FURNACE MODEL	COOLING INDOOR MODEL		CAPACITY	POWER	FURNACE MODEL
				MODEL	MODEL				MODEL	MODEL			
*CAR**6024A**	1.00	1.00		CSRH**6012A**	1.00	0.98	58CV(A,X)135-22	CSRH**6012A**	1.00	1.00	1.00	1.00	58MEB120-20
CAR**6021A**	0.99	0.99		CAR**6024A**	1.00	0.98	58CV(A,X)155-22	CAR**6021A**	0.97	0.97	0.97	0.97	58PH*090-16
CNRH**6024A**	1.00	1.00		CNRH**6024A**	0.99	0.95	58CV(A,X)155-22	CNRH**6024A**	0.98	0.98	0.98	0.98	58PH*090-16
CNRV**6024A**	1.00	1.00		CNRV**6024A**	0.99	0.95	58CV(A,X)155-22	CNRV**6024A**	0.98	0.98	0.98	0.98	58PH*090-16
CSRH**6012A**	1.00	1.00		CSRH**6012A**	1.00	0.96	58CV(A,X)155-22	CAR**6021A**	0.96	0.96	0.96	0.96	58PH*110-20
FA4CN(B,C)080	1.00	1.00		CAR**6021A**	0.99	0.99	58MEB100-20	CNRH**6024A**	0.99	0.97	0.97	0.97	58PH*110-20
FC4DN(FB)060	1.00	0.98		CNRH**6024A**	0.99	0.99	58MEB100-20	CSRH**6012A**	1.00	0.98	0.98	0.98	58PH*110-20
FK4DN(B)006	1.01	0.95		CSRH**6012A**	1.00	1.00	58MEB100-20	CAR**6024A**	0.99	0.97	0.97	0.97	58PH*135-20
CAR**6024A**	0.98	0.96	58CV(A,X)135-22	CAR**6024A**	0.99	0.99	58MEB120-20	CNRH**6024A**	0.99	0.97	0.97	0.97	58PH*135-20
CNRH**6024A**	0.98	0.96	58CV(A,X)135-22	CNRH**6024A**	0.99	0.99	58MEB120-20	CNRV**6024A**	0.99	0.97	0.97	0.97	58PH*135-20
CNRV**6024A**	0.99	0.99	58CV(A,X)135-22	CNRV**6024A**	0.99	0.99	58MEB120-20	CSRH**6012A**	1.00	0.98	0.98	0.98	58PH*135-20

* Tested Combination

† Total and sensible capacities are net capacities. Blower motor heat has been subtracted.

‡ Sensible capacities shown are based on 80°F (27°C) entering air at the indoor coil. For sensible capacities at other than 80°F (27°C), deduct 835 Btuh (245 kW) per 1000 CFM (480 L/S) of indoor coil air for each degree below 80°F (27°C), or add 835 Btuh (245 kW) per 1000 CFM (480 L/S) of indoor coil air per degree above 80°F (27°C).

Detailed cooling capacities are based on indoor coil air at the same elevation per ARI standard 210/240-94. If additional tubing length and/or indoor unit is located above outdoor unit, a slight variation in capacity may occur.

** System kw is total of indoor and outdoor unit kilowatts.

EWB — Entering Wet Bulb

NOTE: When the required data fall between the published data, interpolation may be performed. Extrapolation is not an acceptable practice.

CONDENSER ONLY RATINGS*

SST ° F (° C)		CONDENSER ENTERING AIR TEMPERATURES ° F (° C)							
		55 (12.78)	65 (18.33)	75 (23.89)	85 (29.44)	95 (35.0)	105 (40.56)	115 (46.11)	125 (51.67)
24ABS318(A,G)30									
30 (-1.11)	TCG	15.30	14.40	13.60	12.90	12.10	11.40	10.60	9.80
	SDT	68.80	77.90	87.20	96.60	106.00	115.50	125.00	134.50
	KW	0.83	0.93	1.03	1.14	1.26	1.40	1.56	1.75
35 (1.67)	TCG	17.00	16.00	15.10	14.30	13.50	12.70	11.90	10.90
	SDT	70.30	79.30	88.50	97.80	107.20	116.60	126.10	135.50
	KW	0.84	0.94	1.04	1.15	1.27	1.41	1.58	1.77
40 (4.44)	TCG	18.70	17.70	16.70	15.90	15.00	14.10	13.20	12.20
	SDT	71.80	80.70	89.80	99.10	108.40	117.80	127.20	136.50
	KW	0.85	0.95	1.05	1.16	1.28	1.43	1.60	1.79
45 (7.22)	TCG	20.50	19.40	18.40	17.50	16.50	15.60	14.60	13.50
	SDT	73.30	82.20	91.20	100.40	109.70	119.00	128.30	137.60
	KW	0.86	0.96	1.06	1.17	1.30	1.44	1.61	1.81
50 (10.0)	TCG	22.40	21.30	20.20	19.20	18.20	17.10	16.10	14.90
	SDT	75.00	83.70	92.70	101.80	111.00	120.20	129.50	138.80
	KW	0.87	0.97	1.07	1.18	1.31	1.46	1.63	1.83
55 (12.78)	TCG	24.40	23.20	22.10	21.00	19.90	18.80	17.60	16.40
	SDT	76.70	85.30	94.20	103.20	112.30	121.50	130.70	140.00
	KW	0.88	0.97	1.08	1.19	1.32	1.47	1.65	1.85
24ABS318(A,G)31									
30 (-1.11)	TCG	14.70	13.50	12.40	11.30	10.30	9.40	8.50	7.60
	SDT	74.80	83.80	92.90	102.30	111.90	121.60	131.50	141.40
	KW	0.90	0.98	1.07	1.16	1.26	1.37	1.49	1.60
35 (1.67)	TCG	16.60	15.40	14.20	13.10	12.00	11.00	10.20	9.30
	SDT	76.70	85.80	94.80	104.20	113.80	123.60	133.70	143.90
	KW	0.89	0.98	1.07	1.18	1.29	1.41	1.55	1.71
40 (4.44)	TCG	18.70	17.40	16.20	15.00	13.80	12.80	11.90	11.10
	SDT	78.60	87.60	96.80	106.10	115.80	125.60	135.70	146.20
	KW	0.88	0.97	1.07	1.18	1.31	1.45	1.61	1.79
45 (7.22)	TCG	20.90	19.60	18.30	17.00	15.80	14.70	13.80	12.90
	SDT	80.40	89.40	98.60	107.90	117.60	127.50	137.70	148.30
	KW	0.86	0.96	1.07	1.19	1.32	1.47	1.65	1.86
50 (10.0)	TCG	23.30	21.90	20.50	19.20	17.90	16.80	15.80	14.90
	SDT	82.40	91.20	100.30	109.70	119.40	129.30	139.60	150.10
	KW	0.84	0.95	1.06	1.18	1.33	1.49	1.68	1.90
55 (12.78)	TCG	25.90	24.40	22.90	21.50	20.20	19.00	17.90	16.90
	SDT	84.40	93.10	102.10	111.40	121.20	131.10	141.30	151.80
	KW	0.82	0.93	1.04	1.17	1.33	1.50	1.70	1.93
24ABS324(A,G)30									
30 (-1.11)	TCG	19.60	18.90	18.20	17.30	16.30	15.00	13.60	12.00
	SDT	71.10	80.30	89.50	98.80	108.10	117.30	126.30	135.20
	KW	1.14	1.24	1.37	1.51	1.69	1.89	2.12	2.38
35 (1.67)	TCG	21.70	20.90	20.10	19.20	18.10	16.90	15.50	13.90
	SDT	72.80	81.80	91.00	100.20	109.50	118.60	127.70	136.70
	KW	1.15	1.25	1.38	1.53	1.70	1.90	2.13	2.38
40 (4.44)	TCG	24.00	23.10	22.20	21.20	20.10	18.80	17.40	15.90
	SDT	74.60	83.50	92.50	101.70	110.90	120.00	129.20	138.20
	KW	1.16	1.27	1.39	1.54	1.71	1.91	2.14	2.39
45 (7.22)	TCG	26.50	25.40	24.30	23.30	22.10	20.80	19.40	17.80
	SDT	76.60	85.30	94.20	103.20	112.30	121.50	130.60	139.60
	KW	1.17	1.28	1.41	1.56	1.73	1.93	2.15	2.41
50 (10.0)	TCG	29.20	27.90	26.70	25.50	24.20	22.90	21.40	19.80
	SDT	78.60	87.10	95.90	104.80	113.80	122.90	132.00	141.00
	KW	1.17	1.29	1.42	1.57	1.75	1.95	2.17	2.42
55 (12.78)	TCG	32.10	30.60	29.20	27.80	26.40	25.00	23.50	21.90
	SDT	80.80	89.20	97.70	106.50	115.40	124.40	133.40	142.40
	KW	1.18	1.30	1.43	1.59	1.77	1.96	2.19	2.44
24ABS324(A,G)31									
30 (-1.11)	TCG	19.70	19.00	18.20	17.20	16.00	14.60	12.90	11.10
	SDT	77.90	87.30	96.80	106.30	115.60	124.70	133.70	142.40
	KW	1.09	1.21	1.35	1.51	1.69	1.91	2.15	2.41
35 (1.67)	TCG	21.90	21.10	20.20	19.20	17.90	16.50	14.90	13.10
	SDT	80.00	89.40	98.80	108.20	117.60	126.90	135.90	144.80
	KW	1.11	1.23	1.37	1.53	1.72	1.93	2.18	2.45
40 (4.44)	TCG	24.10	23.20	22.30	21.20	20.00	18.60	16.90	15.10
	SDT	82.20	91.50	100.80	110.30	119.70	129.00	138.10	147.20
	KW	1.13	1.25	1.39	1.55	1.74	1.96	2.21	2.48
45 (7.22)	TCG	26.60	25.50	24.50	23.40	22.10	20.70	19.00	17.20
	SDT	84.50	93.70	103.00	112.30	121.70	131.00	140.30	149.40
	KW	1.14	1.27	1.41	1.58	1.77	1.99	2.24	2.52
50 (10.0)	TCG	29.20	28.00	26.80	25.60	24.30	22.80	21.20	19.40
	SDT	86.90	95.90	105.20	114.40	123.80	133.10	142.30	151.50
	KW	1.16	1.29	1.44	1.61	1.80	2.02	2.27	2.55
55 (12.78)	TCG	32.00	30.70	29.40	28.00	26.60	25.10	23.50	21.60
	SDT	89.40	98.20	107.40	116.60	125.90	135.10	144.40	153.60
	KW	1.18	1.31	1.46	1.64	1.83	2.06	2.31	2.59

24ABS3

See notes on page 64

CONDENSER ONLY RATINGS* CONTINUED

SST ° F (° C)		CONDENSER ENTERING AIR TEMPERATURES ° F (° C)							
		55 (12.78)	65 (18.33)	75 (23.89)	85 (29.44)	95 (35.0)	105 (40.56)	115 (46.11)	125 (51.67)
24ABS330(A,G)30									
30 (-1.11)	TCG	24.50	23.50	22.50	21.30	20.10	18.90	17.50	16.10
	SDT	71.20	80.30	89.60	98.80	108.10	117.50	126.80	136.10
	KW	1.30	1.46	1.63	1.81	2.00	2.21	2.44	2.70
35 (1.67)	TCG	27.30	26.10	24.90	23.70	22.30	20.90	19.50	17.90
	SDT	73.00	82.00	91.10	100.20	109.50	118.70	128.00	137.20
	KW	1.32	1.48	1.65	1.83	2.03	2.24	2.48	2.75
40 (4.44)	TCG	30.20	28.90	27.60	26.20	24.70	23.20	21.60	20.00
	SDT	74.90	83.70	92.70	101.70	110.90	120.00	129.30	138.50
	KW	1.35	1.51	1.68	1.86	2.06	2.28	2.52	2.80
45 (7.22)	TCG	33.30	31.80	30.30	28.80	27.20	25.60	23.90	22.20
	SDT	76.80	85.50	94.40	103.30	112.40	121.50	130.60	139.80
	KW	1.39	1.54	1.71	1.89	2.09	2.31	2.56	2.84
50 (10.0)	TCG	36.40	34.90	33.30	31.60	29.90	28.20	26.40	24.60
	SDT	78.80	87.40	96.10	105.00	113.90	123.00	132.10	141.20
	KW	1.42	1.57	1.73	1.91	2.11	2.33	2.58	2.86
55 (12.78)	TCG	39.70	38.00	36.30	34.60	32.80	31.00	29.10	27.20
	SDT	80.80	89.30	97.90	106.70	115.60	124.60	133.60	142.70
	KW	1.43	1.58	1.74	1.92	2.11	2.33	2.58	2.87
24ABS331(A,G)31									
30 (-1.11)	TCG	25.20	24.20	23.10	21.90	20.60	19.30	17.80	16.40
	SDT	73.50	82.90	92.20	101.60	110.90	120.20	129.50	138.70
	KW	1.32	1.49	1.67	1.86	2.06	2.29	2.54	2.82
35 (1.67)	TCG	28.00	26.80	25.50	24.20	22.80	21.30	19.80	18.20
	SDT	75.50	84.70	93.90	103.20	112.50	121.70	130.90	140.10
	KW	1.34	1.52	1.70	1.89	2.10	2.33	2.59	2.88
40 (4.44)	TCG	31.00	29.60	28.10	26.60	25.10	23.50	21.90	20.20
	SDT	77.40	86.60	95.70	104.90	114.10	123.20	132.40	141.50
	KW	1.38	1.55	1.73	1.93	2.14	2.38	2.64	2.94
45 (7.22)	TCG	34.00	32.40	30.80	29.20	27.60	25.90	24.10	22.40
	SDT	79.40	88.50	97.60	106.70	115.80	124.90	134.00	143.10
	KW	1.41	1.59	1.77	1.96	2.18	2.42	2.69	3.00
50 (10.0)	TCG	37.10	35.40	33.70	31.90	30.20	28.40	26.60	24.70
	SDT	81.50	90.50	99.50	108.50	117.60	126.70	135.70	144.80
	KW	1.44	1.61	1.79	1.99	2.21	2.45	2.72	3.03
55 (12.78)	TCG	40.30	38.50	36.60	34.80	32.90	31.00	29.10	27.20
	SDT	83.60	92.50	101.50	110.50	119.50	128.50	137.50	146.50
	KW	1.46	1.63	1.81	2.00	2.22	2.46	2.74	3.05
24ABS336(A,G)30									
30 (-1.11)	TCG	30.10	29.00	27.70	26.30	24.80	23.00	21.10	19.00
	SDT	73.40	82.30	91.20	100.30	109.30	118.40	127.50	136.40
	KW	1.63	1.81	2.00	2.20	2.43	2.70	3.01	3.37
35 (1.67)	TCG	33.50	32.10	30.70	29.20	27.50	25.60	23.60	21.40
	SDT	75.40	84.10	92.90	101.80	110.80	119.80	128.80	137.70
	KW	1.67	1.85	2.04	2.24	2.47	2.73	3.04	3.40
40 (4.44)	TCG	37.00	35.50	33.90	32.20	30.40	28.40	26.30	24.00
	SDT	77.60	86.10	94.70	103.50	112.40	121.30	130.20	139.10
	KW	1.73	1.90	2.09	2.29	2.51	2.78	3.08	3.44
45 (7.22)	TCG	40.60	38.90	37.20	35.40	33.40	31.30	29.10	26.70
	SDT	79.80	88.10	96.60	105.30	114.00	122.90	131.70	140.50
	KW	1.77	1.95	2.13	2.33	2.56	2.82	3.13	3.49
50 (10.0)	TCG	44.30	42.50	40.60	38.60	36.50	34.30	32.00	29.40
	SDT	82.00	90.10	98.50	107.10	115.70	124.50	133.20	142.00
	KW	1.81	1.98	2.16	2.37	2.59	2.86	3.17	3.53
55 (12.78)	TCG	48.00	46.00	44.00	41.90	39.70	37.40	34.90	32.30
	SDT	84.10	92.10	100.40	108.80	117.40	126.10	134.70	143.40
	KW	1.82	1.99	2.18	2.38	2.61	2.87	3.18	3.55
24ABS342(A,G)30									
30 (-1.11)	TCG	37.30	35.60	34.00	32.30	30.50	28.70	26.90	25.00
	SDT	72.90	81.90	91.00	100.10	109.40	118.70	128.00	137.40
	KW	1.94	2.16	2.41	2.69	3.00	3.34	3.71	4.10
35 (1.67)	TCG	41.00	39.30	37.50	35.60	33.80	31.90	29.90	27.90
	SDT	74.60	83.50	92.50	101.60	110.80	120.00	129.30	138.60
	KW	1.97	2.19	2.44	2.72	3.03	3.37	3.75	4.15
40 (4.44)	TCG	45.00	43.10	41.20	39.20	37.20	35.20	33.00	30.90
	SDT	76.50	85.20	94.10	103.10	112.20	121.40	130.60	139.80
	KW	2.00	2.22	2.47	2.75	3.06	3.41	3.78	4.19
45 (7.22)	TCG	49.30	47.30	45.20	43.10	40.90	38.70	36.40	34.10
	SDT	78.40	87.00	95.80	104.70	113.70	122.80	131.90	141.10
	KW	2.03	2.25	2.50	2.78	3.10	3.44	3.82	4.23
50 (10.0)	TCG	53.90	51.70	49.40	47.10	44.80	42.40	39.90	37.40
	SDT	80.50	89.00	97.60	106.40	115.30	124.30	133.40	142.50
	KW	2.07	2.29	2.54	2.82	3.13	3.48	3.86	4.28
55 (12.78)	TCG	58.70	56.30	53.90	51.40	48.90	46.30	43.70	41.00
	SDT	82.60	91.00	99.50	108.20	117.00	125.90	134.90	143.90
	KW	2.11	2.33	2.58	2.86	3.17	3.52	3.91	4.32

24ABS3

See notes on page 64

CONDENSER ONLY RATINGS* CONTINUED

SST °F (°C)		CONDENSER ENTERING AIR TEMPERATURES °F (°C)							
		55 (12.78)	65 (18.33)	75 (23.89)	85 (29.44)	95 (35.0)	105 (40.56)	115 (46.11)	125 (51.67)
24ABS348(A,G)30									
30 (-1.11)	TCG	43.30	40.70	38.10	35.60	33.10	30.50	28.00	25.60
	SDT	72.60	81.40	90.20	99.20	108.30	117.40	126.60	135.90
	KW	2.32	2.53	2.75	3.00	3.26	3.54	3.84	4.15
35 (1.67)	TCG	48.10	45.40	42.70	40.00	37.30	34.70	32.00	29.40
	SDT	74.50	83.10	91.90	100.80	109.80	119.00	128.10	137.30
	KW	2.36	2.57	2.80	3.06	3.34	3.64	3.96	4.30
40 (4.44)	TCG	53.30	50.40	47.50	44.70	41.80	39.00	36.20	33.40
	SDT	76.50	85.00	93.70	102.50	111.50	120.50	129.60	138.80
	KW	2.39	2.61	2.85	3.11	3.41	3.73	4.07	4.44
45 (7.22)	TCG	58.90	55.80	52.70	49.60	46.60	43.60	40.70	37.70
	SDT	78.60	87.00	95.60	104.30	113.20	122.20	131.20	140.30
	KW	2.43	2.65	2.89	3.17	3.47	3.80	4.17	4.56
50 (10.0)	TCG	64.80	61.40	58.10	54.80	51.60	48.40	45.30	42.10
	SDT	80.80	89.10	97.50	106.10	115.00	123.90	132.90	141.90
	KW	2.47	2.69	2.94	3.22	3.53	3.88	4.26	4.67
55 (12.78)	TCG	71.00	67.30	63.80	60.20	56.80	53.40	50.10	46.70
	SDT	83.00	91.30	99.60	108.10	116.80	125.60	134.60	143.50
	KW	2.51	2.73	2.99	3.27	3.59	3.95	4.34	4.77
24ABS360(A,G)30									
30 (-1.11)	TCG	52.00	49.50	47.10	44.60	41.90	39.10	36.10	32.80
	SDT	75.00	83.90	93.00	102.20	111.30	120.50	129.60	138.60
	KW	2.71	3.02	3.35	3.71	4.12	4.58	5.10	5.71
35 (1.67)	TCG	57.40	54.70	52.00	49.30	46.50	43.50	40.30	37.00
	SDT	77.00	85.80	94.80	103.90	113.00	122.10	131.10	140.10
	KW	2.79	3.09	3.41	3.77	4.18	4.65	5.19	5.81
40 (4.44)	TCG	63.20	60.20	57.30	54.40	51.30	48.20	44.80	41.30
	SDT	79.10	87.80	96.70	105.60	114.70	123.70	132.70	141.70
	KW	2.88	3.17	3.49	3.85	4.26	4.74	5.29	5.93
45 (7.22)	TCG	69.30	66.00	62.80	59.60	56.40	53.00	49.50	45.80
	SDT	81.30	89.90	98.60	107.50	116.40	125.40	134.40	143.30
	KW	2.98	3.26	3.57	3.93	4.34	4.82	5.39	6.03
50 (10.0)	TCG	75.60	72.00	68.50	65.10	61.60	58.00	54.20	50.30
	SDT	83.50	92.00	100.60	109.40	118.20	127.10	136.00	144.90
	KW	3.08	3.34	3.65	4.00	4.42	4.90	5.47	6.14
55 (12.78)	TCG	82.00	78.10	74.30	70.50	66.80	63.00	59.00	54.90
	SDT	85.70	94.10	102.60	111.30	120.00	128.90	137.70	146.50
	KW	3.17	3.42	3.72	4.06	4.48	4.97	5.55	6.22

24ABS3

* ARI listing applies only to systems shown in Combination Ratings table.

KW – Outdoor Unit Kilowatts Only.

SDT – Saturated Temperature Leaving Compressor (°F)

SST – Saturated Temperature Entering Compressor (°F/°C)

TCG – Gross Cooling Capacity (1000 Btuh)

GUIDE SPECIFICATIONS

GENERAL

System Description

Outdoor-mounted, air-cooled, split-system air conditioner unit suitable for ground or rooftop installation. Unit consists of a hermetic compressor, an air-cooled coil, propeller-type condenser fan, and a control box. Unit will discharge supply air upward as shown on contract drawings. Unit will be used in a refrigeration circuit to match up to a packaged fan coil or coil unit.

Quality Assurance

- Unit will be rated in accordance with the latest edition of ARI Standard 210.
- Unit will be certified for capacity and efficiency, and listed in the latest ARI directory.
- Unit construction will comply with latest edition of ANSI/ASHRAE and with NEC.
- Unit will be constructed in accordance with UL standards and will carry the UL label of approval. Unit will have c-UL-us approval.
- Unit cabinet will be capable of withstanding Federal Test Method Standard No. 141 (Method 6061) 500-hr salt spray test.
- Air-cooled condenser coils will be leak tested and pressure tested.
- Unit constructed in ISO9001 approved facility.

Delivery, Storage, and Handling

- Unit will be shipped as single package only and is stored and handled per unit manufacturer's recommendations.

Warranty (for inclusion by specifying engineer)

- U.S. and Canada only.

PRODUCTS

Equipment

Factory-assembled, single-piece, air-cooled air conditioner unit. Contained within the unit enclosure is all factory wiring, piping, controls, compressor, refrigerant charge, and special features required prior to field start-up.

Unit Cabinet

- Unit cabinet will be constructed of galvanized steel, bonderized, and coated with a powder coat paint.

AIR-COOLED, SPLIT-SYSTEM AIR CONDITIONER

24ABS3

1-1/2 TO 5 NOMINAL TONS

Fans

- Condenser fan will be direct-drive propeller type, discharging air upward.
- Condenser fan motors will be totally enclosed, 1-phase type with class B insulation and permanently lubricated bearings. Shafts will be corrosion resistant.
- Fan blades will be statically and dynamically balanced.
- Condenser fan openings will be equipped with coated steel wire safety guards.

Compressor

- Compressor will be hermetically sealed.
- Compressor will be mounted on rubber vibration isolators.

Condenser Coil

- Condenser coil will be air cooled.
- Coil will be constructed of aluminum fins mechanically bonded to copper tubes which are then cleaned, dehydrated, and sealed.

Refrigeration Components

- Refrigeration circuit components will include liquid-line shutoff valve with sweat connections, vapor-line shutoff valve with sweat connections, system charge of R-22 refrigerant, and compressor oil.
- Unit will be equipped with filter drier.

Operating Characteristics

- The capacity of the unit will meet or exceed _____ Btuh at a suction temperature of _____ °F/°C. The power consumption at full load will not exceed _____ kW.
- Combination of the unit and the evaporator or fan coil unit will have a total net cooling capacity of _____ Btuh or greater at conditions of _____ CFM entering air temperature at the evaporator at _____ °F/°C wet bulb and _____ °F/°C dry bulb, and air entering the unit at _____ °F/°C.
- The system will have a SEER of _____ Btuh/watt or greater at DOE conditions.

Electrical Requirements

- Nominal unit electrical characteristics will be _____ v, single phase, 60 hz. The unit will be capable of satisfactory operation within voltage limits of _____ v to _____ v.
- Nominal unit electrical characteristics will be _____ v, three phase, 60 hz. The unit will be capable of satisfactory operation within voltage limits of _____ v to _____ v.
- Unit electrical power will be single point connection.
- Control circuit will be 24v.

Special Features

- Refer to section of this literature identifying accessories and descriptions for specific features and available enhancements.

24ABS3

