



Installation Instructions

Part No. 00EFN900002000A, 00EFN9000002600A

SAFETY CONSIDERATIONS

Installing, starting up and servicing air-conditioning equipment can be hazardous due to system pressures, electrical components, and equipment locations.

When installing this accessory, observe precautions in the literature and on any labels attached to the equipment, and all other safety precautions that may apply.

- Follow all safety codes.
- Wear safety glasses and work gloves.
- Use care in handling and installing this accessory.

⚠ WARNING

To avoid the possibility of electrical shock, open and tag all disconnects before installing this equipment. Be aware that there may be more than one disconnect.

⚠ CAUTION

Only trained, qualified installers and service technicians should install, start up, and service this equipment. Untrained personnel can perform basic maintenance functions such as cleaning coils. All other operations should be performed by trained service personnel. When working on the equipment, observe precautions in the literature and on tags, stickers, and labels attached to the equipment.

INTRODUCTION

The accessory condenser hail guards are designed to protect the ends of the 30RB and 30XA chillers from harsh weather conditions and debris. See Table 1 for accessory package usage, and see Tables 2A and 2B for accessory package contents.

Check each item for shipping damage. If any damage is found, file a claim with the shipping agent immediately. If any item is missing or if any part does not assemble properly, notify your Carrier representative.

Table 1 — Hail Guard Doors Accessory Package Usage

UNIT	SIZE	VOLTAGE (3ph, 60 Hz)	PACKAGE NO.	NUMBER OF ACCESSORY KITS REQUIRED
30RB	060-300	All	00EFN900002000A	1
	315-390	All	00EFN900002000A	2
30XA	080-120	All	00EFN900002600A	1
	140-200	200,230	00EFN900002600A	1
	140-200	380,460,575	00EFN900002000A	1
	220-500	All	00EFN900002000A	1

Table 2A — Accessory Package 00EFN900002000A Contents

ITEM NO.	PART NO.	DESCRIPTION	QTY
1	00PSN500114100A	Left Hand Door Assembly	2
2	00PSN500114000A	Right Hand Door Assembly	2
3	00PSN000017500A	Door Top Support	4
4	00PSN500157500A	Door Support	4
5	00PPN500000304A	M8 Screw	4
6	00PPN500000401A	No. 10 Screw	28
7	00PPN500000302A	M6 Screw	4
8	AT96AB170	Cage Nut*	6
9	AA06BS168	1/4 in. bolt*	6

*Some accessory kits may ship with latches in place of cage nuts and bolts.

**Table 2B — Accessory Package
00EFN900002600A Contents**

ITEM NO.	PART NO.	DESCRIPTION	QTY*
1	00PSN500114100A	Left Hand Door Assembly	1
2	00PSN500114000A	Right Hand Door Assembly	1
3	00PSN000017500A	Door Top Support	2
4	00PSN500157500A	Door Support	2
5	00PPN500000304A	M8 Screw	1
6	00PPN500000401A	No. 10 Screw	15
7	00PPN500000302A	M6 Screw	18
8	AT96AB170	Cage Nut†	3
9	AA06BS168	1/4 in. bolt†	3
10	00PSN000048700A	Top Support	1
11	00PSN500159100A	Middle Support	1
12	00PSN500061800A	Small Support	1
13	00PSN500161500A	Bottom Hail Guard Panel	1
14	00PSN500161600A	Hail Guard Panel	1
15	00PSN500161700A	Top Hail Guard Panel	2
16	00PSN500161800A	Middle Hail Guard Panel	1
17	99SR09043202201	Seal Strip	1

*In some cases extra hardware is included.

†Some accessory kits may ship with latches in place of cage nuts and bolts.

INSTALLATION

Refer to Table 1 for accessory package usage.

Accessory Package 00EFN900002000A

1. Disconnect unit power.
2. Attach left hand door assembly (Item 1) to the left corner post inside flange using five No. 10 screws (Item 6). See Fig. 1 and 2.
3. Attach right hand door assembly (Item 2) to the right corner post inside flange using five No. 10 screws (Item 6). See Fig. 1 and 2.
4. Attach two door top supports (Item 3) to the outside of the coil cap using No. 10 screws (Item 6).
5. Attach one door support (Item 4) to coil rail using one M6 screw (Item 7). Attach another door support (Item 4) to the base frame rail using one M8 screw (Item 5). See Fig. 3.
6. Close the left hand door onto door supports. Install one No. 10 screw in the door top support and one No. 10 screw in the door support attached to the base frame rail in Step 5. Install one M8 screw through the side flange of the door in the door support attached to the coil rail in Step 5.

NOTE: Doors must be fastened to supports as well as each other for proper installation.

7. Close the right hand door onto the left hand door and secure with either latches or cage nuts and bolts (Items 8 and 9) shipped with the accessory kit.

NOTE: National Electrical Code requires that models with factory-installed non-fused disconnect option have the disconnect handle within sight. For 30RB060-120 units, if equipped with a non-fused disconnect, field modification of the right hand door is required to allow view/

access to this handle without opening the hail guard door. The right hand door contains a 9 in. x 12 in. marked area for field removal as required. See Fig. 4.

IMPORTANT: Repeat steps 2-7 on the opposite end of the unit.

8. Restore power to the unit.

Accessory Package 00EFN900002600A (Fig. 5)

1. Disconnect unit power.
2. Attach left hand door assembly (Item 1) to the left corner post inside flange using five No. 10 screws (Item 6). See Fig. 1 and 2.
3. Attach right hand door assembly (Item 2) to the right corner post inside flange using five No. 10 screws (Item 6). See Fig. 1 and 2.
4. Attach two door top supports (Item 3) to the outside of the coil cap using No. 10 screws (Item 6).
5. Attach one door support (Item 4) to coil rail using one M6 screw (Item 7). Attach another door support (Item 4) to the base frame rail using one M8 screw (Item 5). See Fig. 3.
6. Close the left hand door onto door supports. Install one No. 10 screw in the door top support and one No. 10 screw in the door support attached to the base frame rail in Step 5. Install one M8 screw through the side flange of the door in the door support attached to the coil rail in Step 5.

NOTE: Doors must be fastened to supports as well as each other for proper installation.

7. Close the right hand door onto the left hand door and secure with either latches or cage nuts and bolts (Items 8 and 9) shipped with the accessory kit.
8. On the control box end of the unit, install the bottom hail guard (Item 13) below the control box using two M6 screws (Item 7) and two No. 10 screws (Item 6).
9. Install small support (Item 12) between corner post and coil upright using two No. 10 screws (Item 6) and two M6 screws (Item 7).
10. Install two M6 screws (Item 7) in the bottom flange of the hail guard panel (Item 14). These screws will be used as pins when installing the panel on the unit. Install the seal strip (Item 17) on the bottom of the hail guard panel (Item 14) between the two M6 screws.
11. Install the hail guard panel (Item 14) between the base frame and the support (Item 12) using two No. 10 screws (Item 6) and two M6 screws (Item 7).
12. Install middle support (Item 11) above the control box using two No. 10 screws (Item 6).
13. Install top support (Item 10) to coil cap using four M6 screws (Item 7).
14. Install the top hail guard panel (Item 15) between top support (Item 10) and middle support (Item 11) using four M6 screws (Item 7) per panel.
15. Install the middle hail guard panel (Item 16) to the right of the control panel using four M6 screws (Item 7). Note that this part is not used on 200/230v 30XA080-120 units.
16. Restore power to the unit.

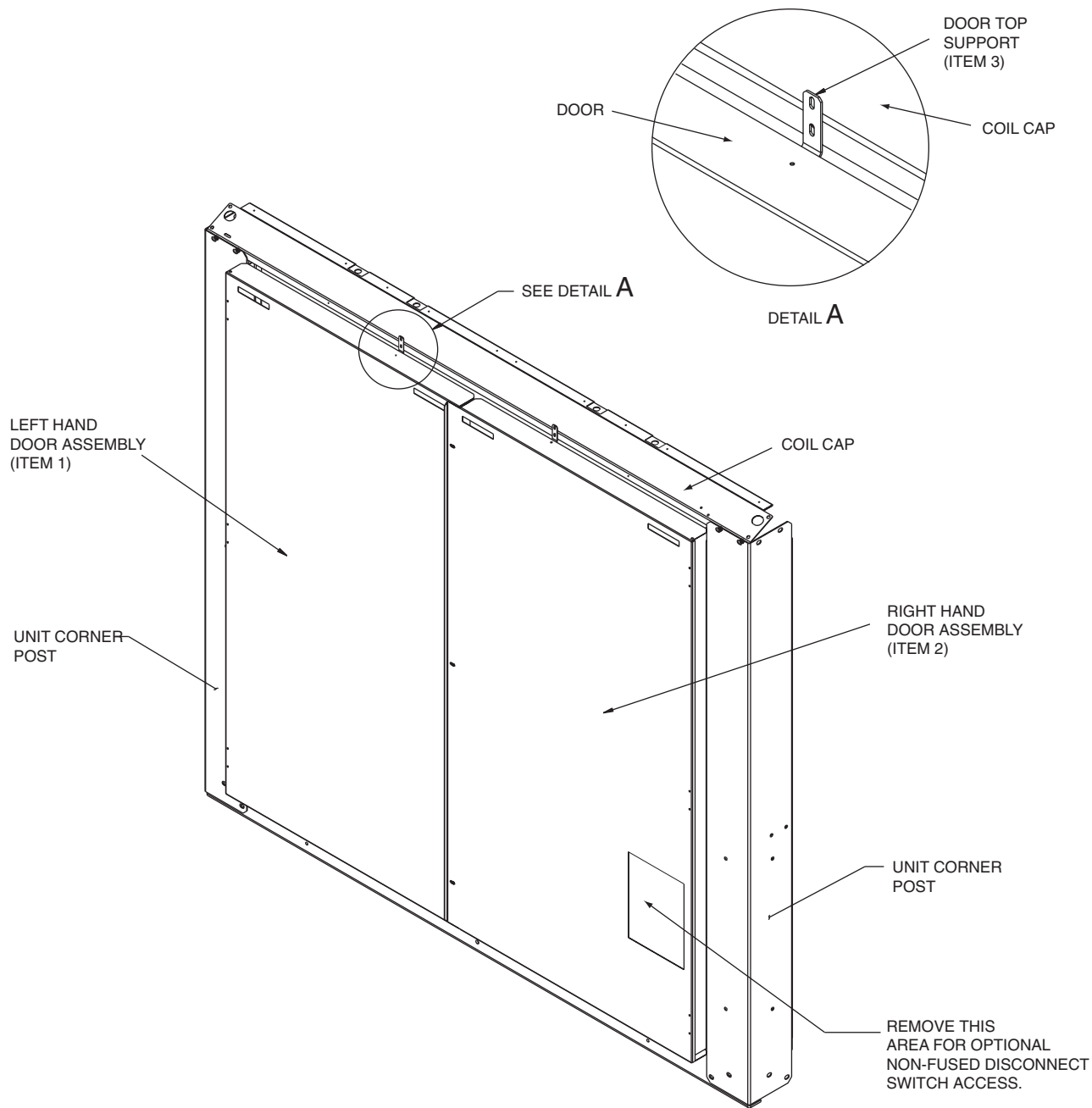


Fig. 1 — Accessory Package 00EFN500002000A Installation

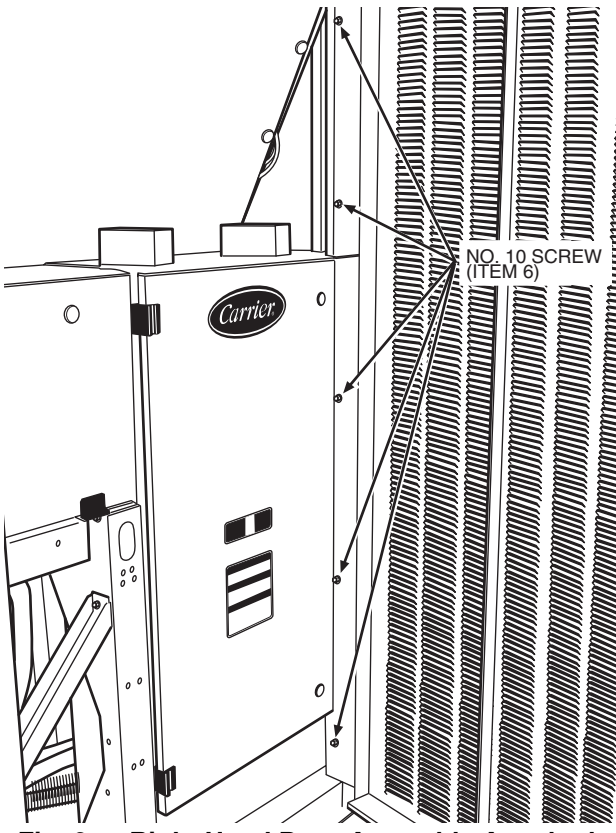


Fig. 2 — Right Hand Door Assembly Attached

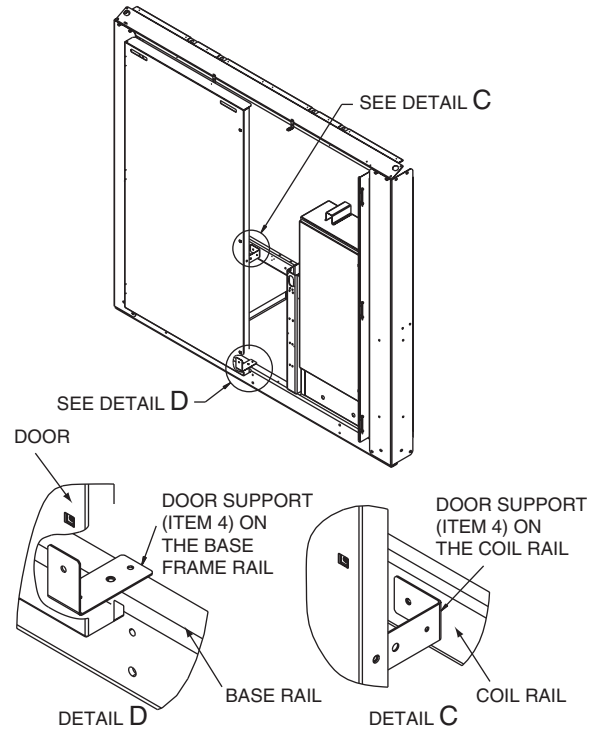


Fig. 3 — Accessory Package 00EFN500002000A Door Support Detail

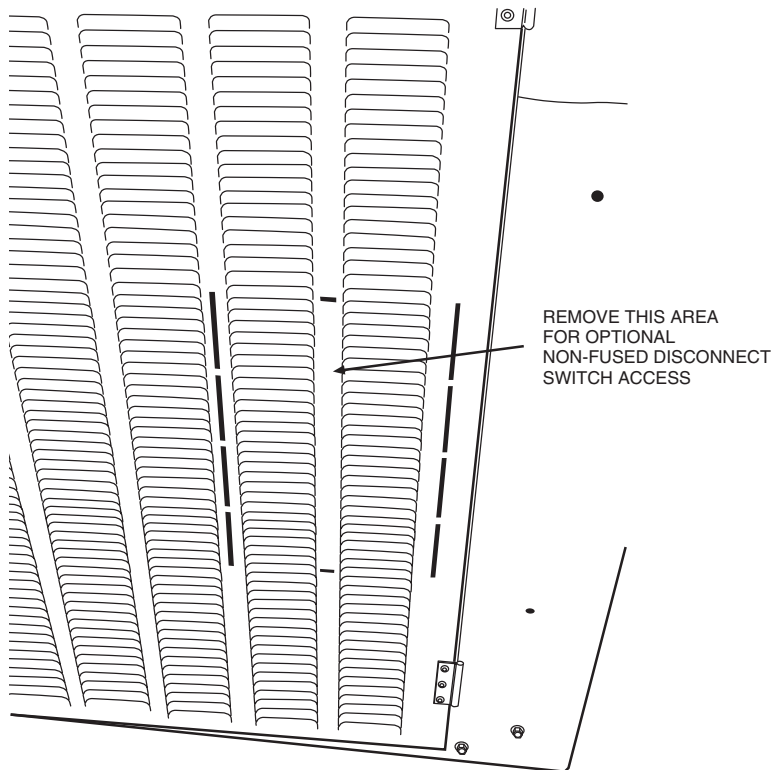
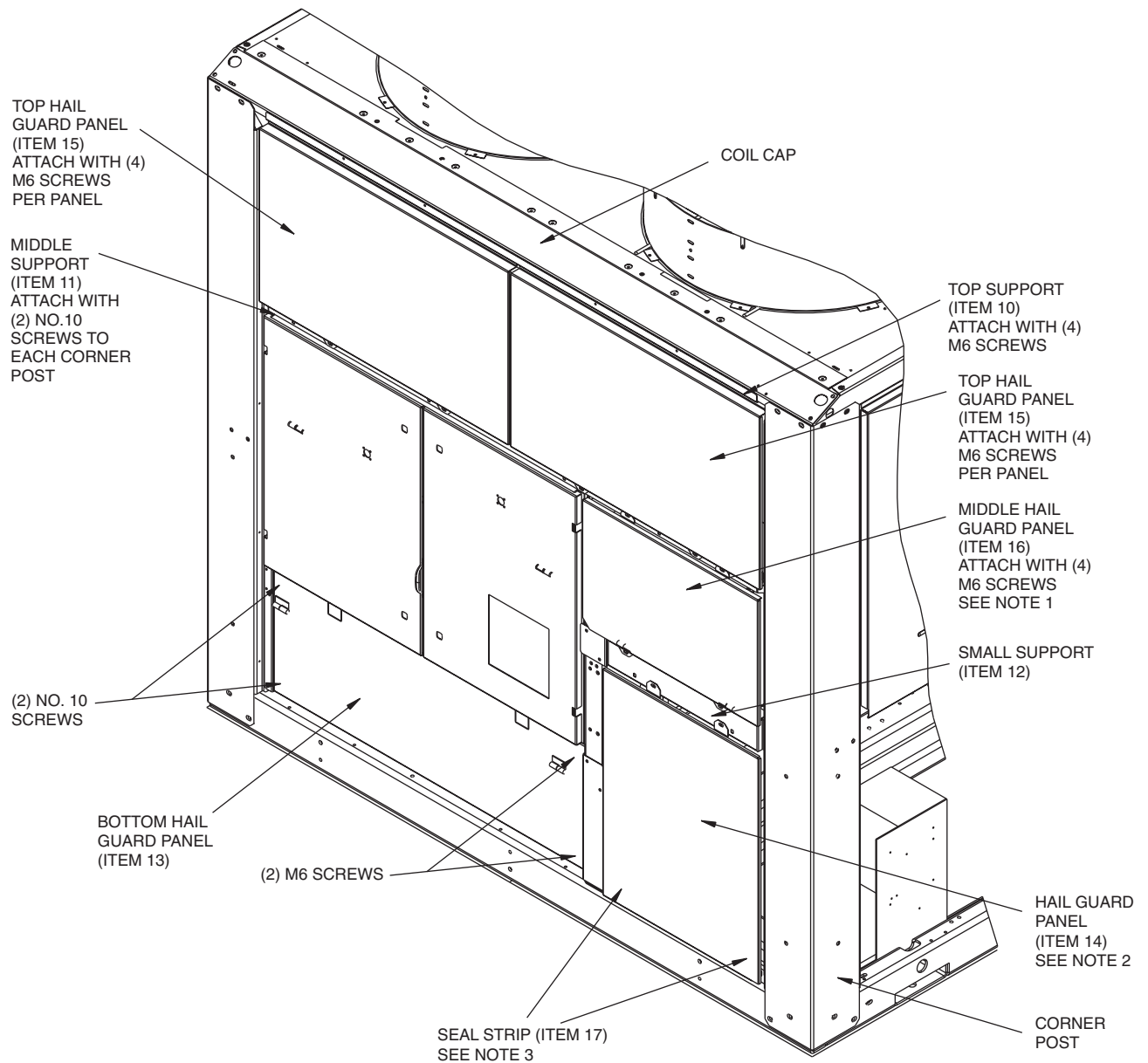


Fig. 4 — Non-Fused Disconnect Cutout Area



NOTES:

1. The middle hail guard panel (Item 16) is not used on 200/230-v 30XA080-120 units.
2. Install No. 10 screws (Item 6) into bottom flange of the hail guard panel prior to installing panel. Use the No. 10 screws as locator pins for placement of the middle hail guard panel.
3. The seal strip (Item 17) is to be placed along the bottom lip of the hail guard panel (Item 14) for vibration and shipping protection.

Fig. 5 — Control Box End, Accessory Package 00EFN0002600A

