



Installation Instructions

Part No. 00EFN900044000A

SAFETY CONSIDERATIONS

Installing, starting up, and servicing air-conditioning equipment can be hazardous due to system pressures, electrical components, and equipment location.

Only trained, qualified installers and service mechanics should install, start up, and service this equipment.

Untrained personnel can perform basic maintenance functions such as cleaning coils. All other operations should be performed by trained service personnel.

When working on the equipment, observe precautions in the literature and on tags, stickers, and labels attached to the equipment.

- Follow all safety codes.
- Wear safety glasses and work gloves.
- Use care in handling and installing this accessory.

⚠ WARNING

Electrical shock can cause personal injury and death. Shut off all power to this equipment during installation. There may be more than one disconnect switch. Tag all disconnect locations to alert others not to restore power until work is completed.

PACKAGE CONTENTS

ITEM	PART NO.	QUANTITY
Thermistor	00PPG000008106A	2
Well	00PPG000008000A	2
Connector*	HY06AM016	2

*Connector comes wired to the thermistor.

GENERAL

These instructions cover installation of the dual chiller thermistor accessory. If two chillers are installed in parallel,

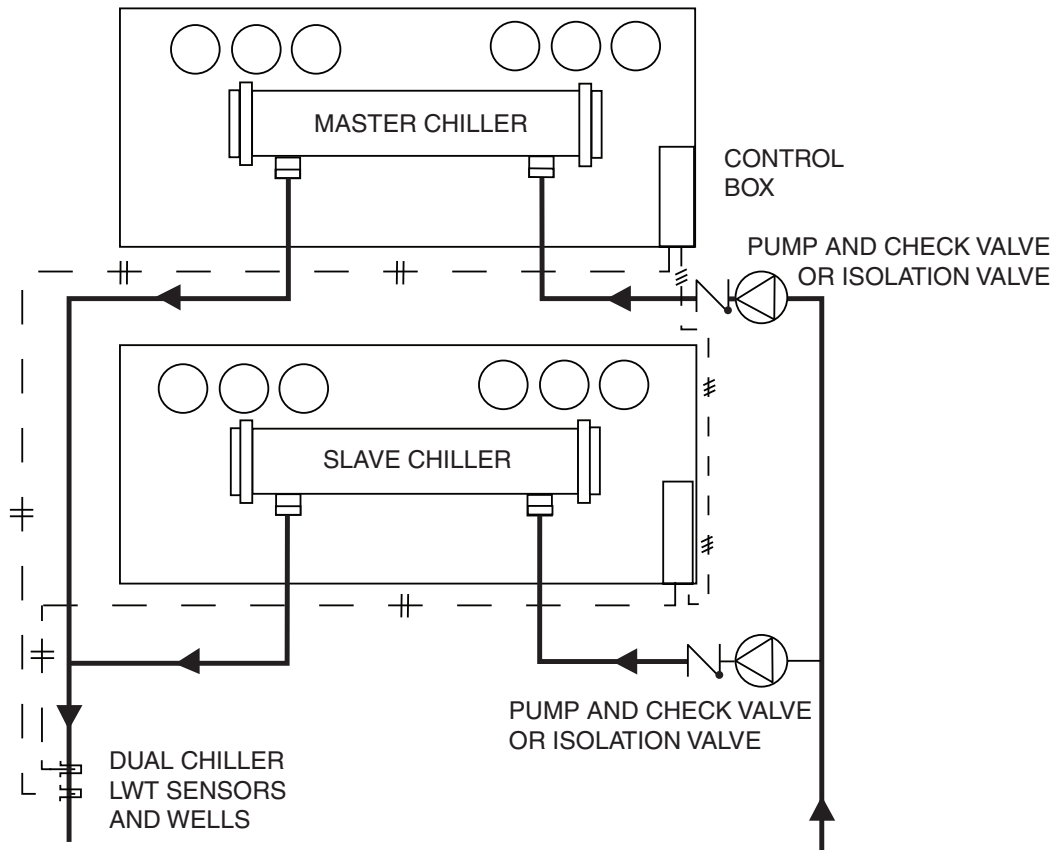
additional chilled water sensors (one for each chiller) must be installed in the common leaving water piping. The accessory kit contains the required thermistors, wells, and wiring connectors. This accessory is not required for chillers piped in series.

INSTALLATION

To prepare the chillers for parallel operation, perform the following procedure:

1. Shut off the chiller and lock out power.
2. Determine the location for the thermistor wells. The well locations must be in the common leaving water header. See Fig 1. DO NOT relocate the chiller's leaving water thermistors. They must remain in place for the unit to operate properly.
3. Install the thermistor wells. The thermistor well is a 1/4 in. NPT fitting. See Fig. 2. Select a location that will allow for removal of the thermistor without any restrictions. Installation method will depend on the type of piping.
4. Insert the thermistors into the wells until the o-rings on the thermistors reach the well body. Use the nut on the thermistors to secure the thermistors in place.
5. Once the thermistors are in place, it is recommended that a wire loop be made and secured with a wire tie to the chilled water pipe. This will provide strain relief. See Fig. 3.
6. The wiring connector (part no. HY06AM016) comes attached to the thermistor lead. Run connector wiring to the chiller control box or the master and slave chillers. Plug the connectors into MBB-J6 CH-3 on the main base board. See Fig. 4.

NOTE: For 30RB315-390 units, as well as all units using the dual chiller algorithm, a Carrier Comfort Network® (CCN) bus must be connected between the two modules.



LEGEND

- LWT — Leaving Water (Fluid) Temperature
- # - Field Wiring
- ## - Field Communication Wiring

NOTE: This is a simplified piping diagram — not all hydronic specialties are shown.

Fig. 1 — Accessory Thermistor Location (30RB Units Shown)

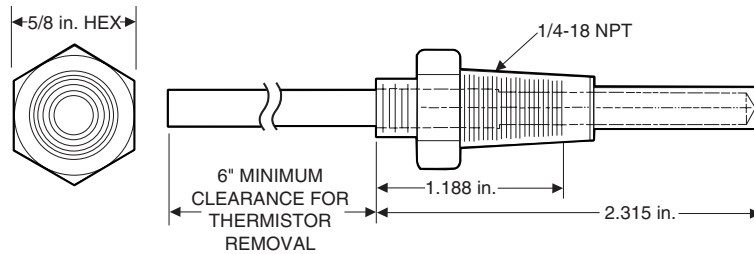


Fig. 2 — Accessory Leaving Water Thermistor Well

