



Installation Instructions

Part No. 30GT-911---057

PACKAGE CONTENTS

ITEM	QUANTITY
Hinged Window and Frame	1
No. 8, 7/8-in. Screw	4
No. 8, 1 1/8 in. Screw	4
Washer	8
O-Ring	4
Cap Nut	4

NOTE: Mounting surface gasket must be reduced to half its original size to prevent leakage. Because slight variations in accessory thickness may occur, use appropriate combination of screws and washers for your installation.

SAFETY CONSIDERATIONS

Installation of this accessory can be hazardous due to electrical components and equipment location (such as a roof, or elevated structure). Only trained, qualified installers and service mechanics should install and service this equipment.

When installing this accessory, observe precautions in the literature, labels attached to the equipment, and other safety precautions that apply.

- Follow all safety codes.
- Wear safety glasses and work gloves.
- Use care in handling and installing this accessory.



ELECTRIC SHOCK HAZARD.

To avoid the possibility of electrical shock, open and tag all remote disconnects before installing this equipment.

GENERAL

The accessory unit control display access door is designed for all 30GTN015-420, 30GN,GT,GU,GTR,GUN,GUR040-420, 30GX080-350, 30GXN,R080-528 and 30RA010-055 units. See Fig. 1. It provides easy access to the unit controls module without having to open or remove unit panels.

NOTE: The 30GT,GN,GU,GTN,GTR,GUN,GUR230-420 and 30GXN,R 220, 240, 275, 300, 320, 345-528 (50 Hz), 370-528 (60 Hz) are modular units consisting of two smaller units joined together. These modular unit sizes will require two accessory packages.

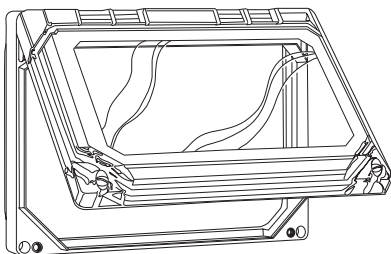


Fig. 1 — Accessory Unit Display Access Door

INSTALLATION

Inspect package contents for missing or damaged parts. File a claim with shipping agency if parts are damaged, and notify your Carrier representative if any item is missing.

Inspect the mounting surface gasket on the accessory (see Fig. 2) to be sure it is not cut or damaged, and that it is properly installed in the seal groove of the window frame. If there is damage, contact your local representative before proceeding. If the gasket has slipped out of the seal groove, reinsert it before proceeding.

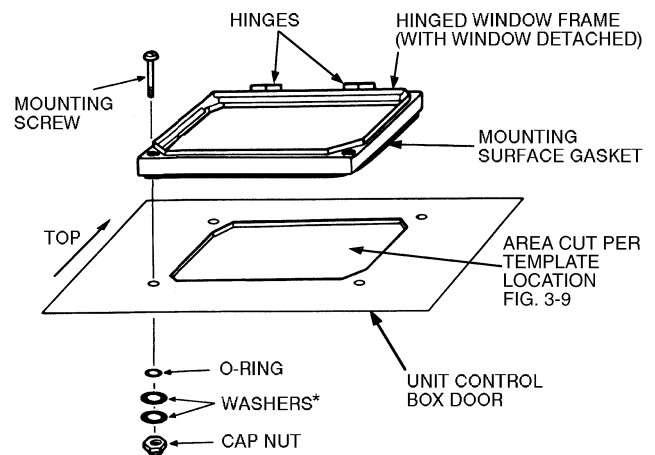
Refer to Fig. 3-9 to find the correct location for the accessory for the appropriate unit. After locating the correct location for installation, proceed as follows:

1. Remove control box door from the unit to prevent damage to the control box components.
2. Secure template in the back of this book onto the control box door where the accessory is to be mounted.
3. Using the mounting template in the back of this book, cut out the area where the window is to be mounted.

CAUTION

DO NOT cut hole larger than template. If hole is larger than template, water may leak into the unit and cause damage to unit controls. Unit wiring schematics can also be damaged if hole is cut too large.

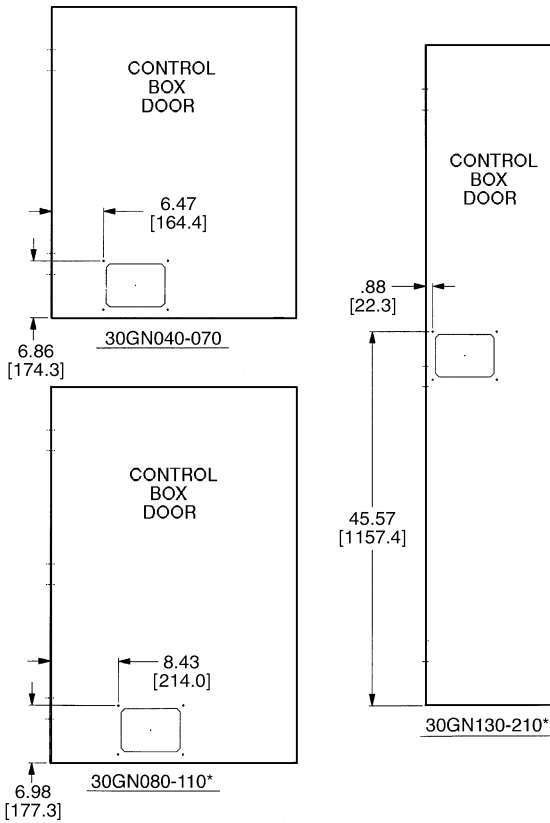
4. Drill out screw locations with a no. 5 (.2055 in. [5.22 mm] diameter) or no. 6 (.2040 in. [5.18 mm] diameter) drill.
5. File away any rough spots in the cutout area that may cause personal injury or product damage.



*If necessary.

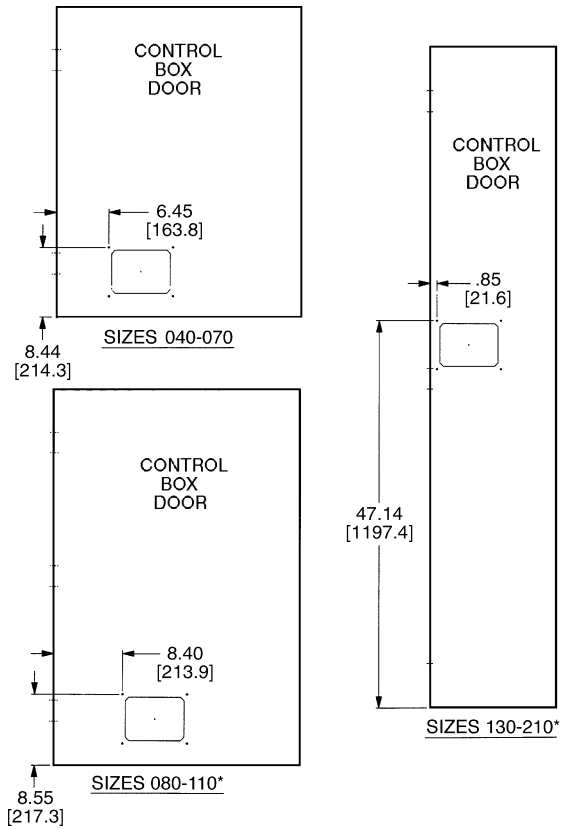
Fig. 2 — Accessory Installation

6. Gently remove the window from the window frame on the hinge side. Set window aside for later use.
7. Position the window frame over the area cut into the control box door in Step 3. Be sure the hinge side of the accessory unit control display access door is installed toward the top of the unit to prevent water damage to the unit and controls.
8. With the window frame in position, pass the 4 mounting screws through the factory-drilled holes in the accessory and the field-drilled holes in the unit as shown in Fig. 2. Use screws with correct length for installation. Discard other screws.
9. Place an O-ring, two washers (if necessary), and a cap nut over the end of each screw as shown in Fig. 2.
10. After all screws, O-rings, washers (if used), and cap nuts are installed, tighten the mounting screws to 10 in.-lb. of torque. At this point, check to be sure that mounting surface gasket is compressed to half its original size.
11. Reinstall window onto window frame, and secure window using two factory-installed screws in the lower corners of window.
12. Reinstall, close, and secure the control box door, and restore power to the unit.



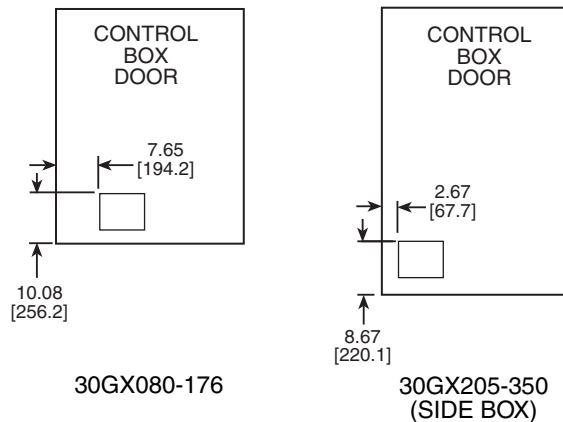
*And associated modular units (sizes 230-420).
NOTE: Dimensions are in inches, and dimensions in [] are in mm.

**Fig. 3 — Door Template Locations,
30GN040-420**



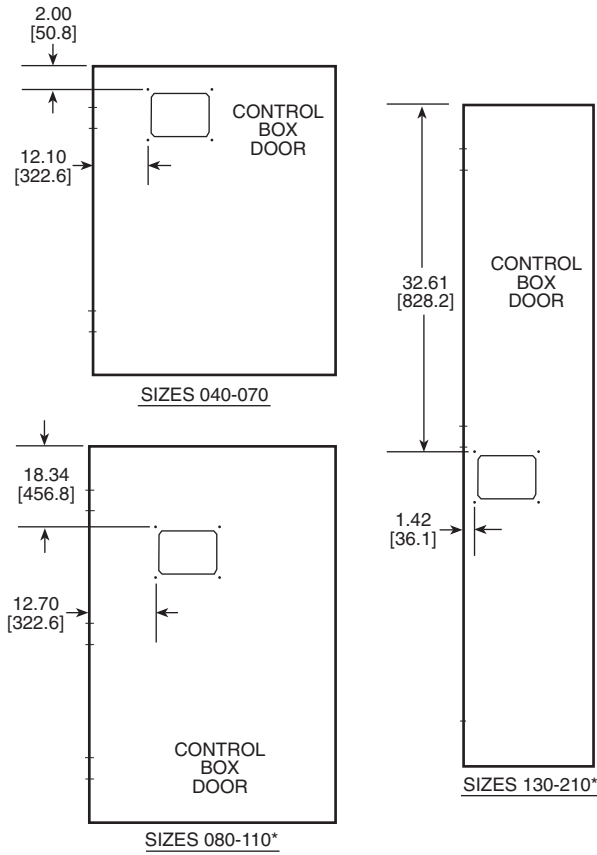
*And associated modular units (sizes 230-420).
NOTE: Dimensions are in inches, and dimensions in [] are in mm.

**Fig. 4 — Door Template Locations,
30GT, GU040-420**



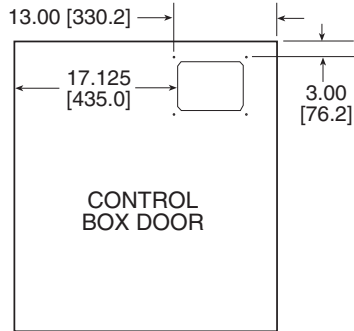
NOTE: Dimensions are in inches, and dimensions in [] are in mm.

**Fig. 5 — Door Template Locations,
30GX080-350**

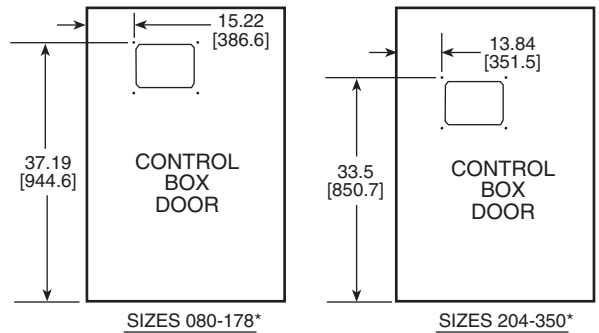


*And associated modular units (sizes 230-420).
 NOTE: Dimensions are in inches, and dimensions in [] are in mm.

**Fig. 6 — Door Template Locations,
 30GTN, GTR, GUN, GUR040-420**

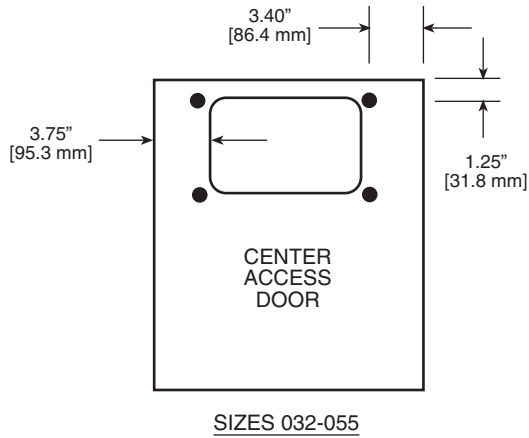
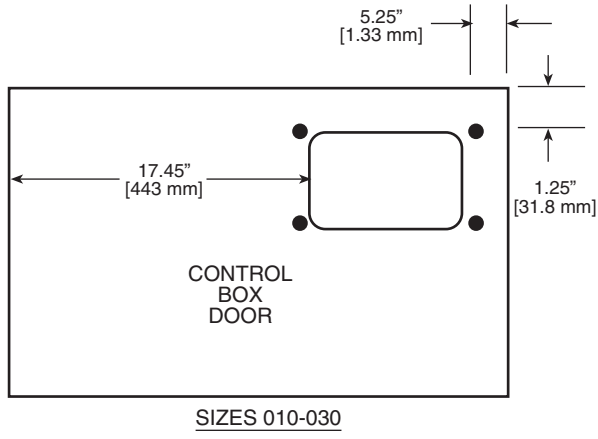


**Fig. 7 — Door Template Locations,
 30GTN015-035**



*And associated modular units (sizes 220-528).
 NOTE: Dimensions are in inches, and dimensions in [] are in mm.

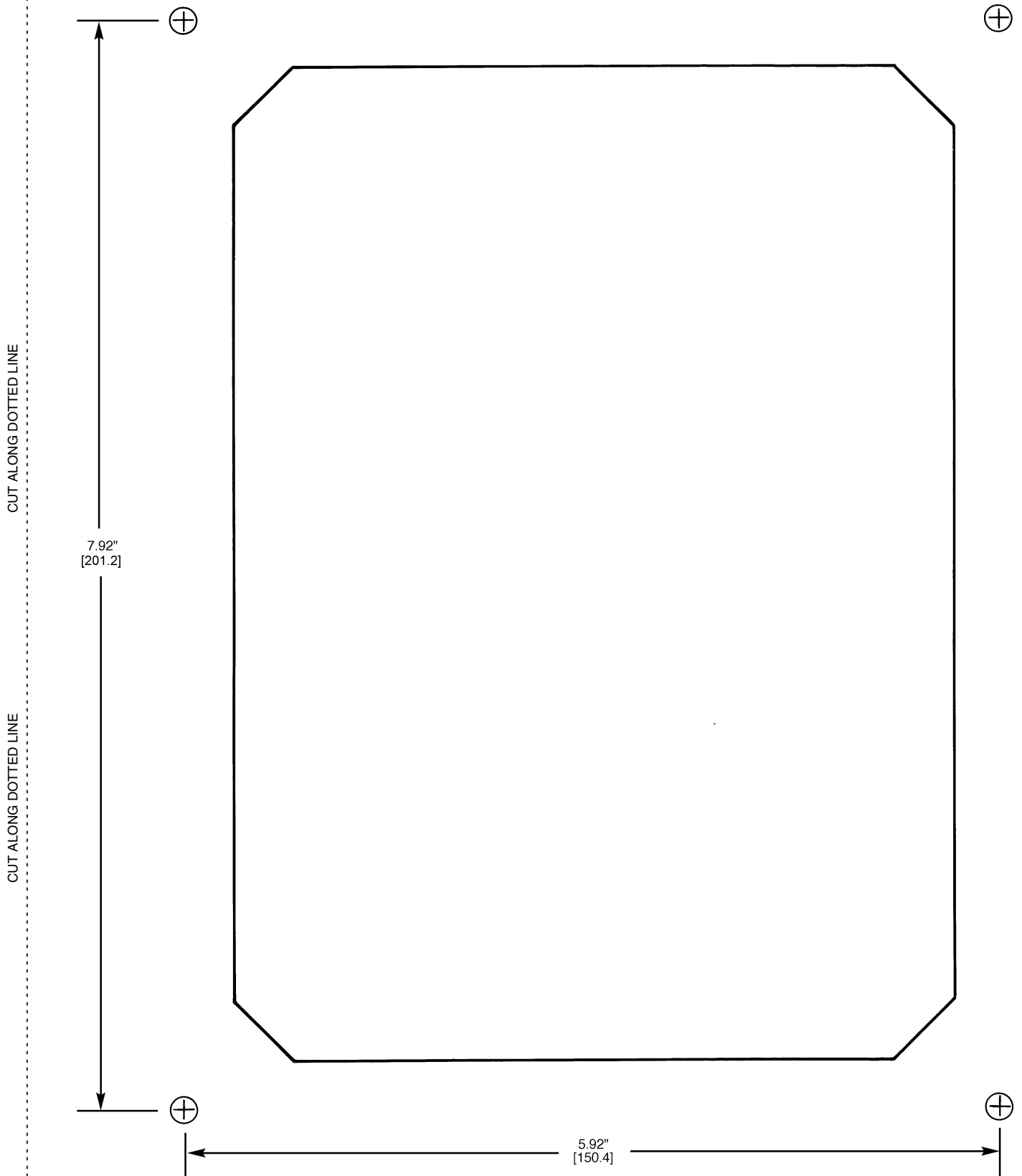
**Fig. 8 — Door Template Locations,
 30GXN, R080-528**



NOTE: Dimensions are in inches, and dimensions in [] are in mm.

Fig. 9 — Door Template Locations, 30RA010-055

MOUNTING TEMPLATE



NOTES:

1. Cutout leaves .200 in. (5 mm) ledge inside window.
2. Do not cut hole outside these template lines. If hole is larger than template, water will leak into the unit.
3. Dimensions are in inches, and dimensions in [] are in mm.

