



# Installation Instructions

Part No. 30RA-900---004, 30RA-900---013, 30RA-900---014

## CONTENTS

**SAFETY CONSIDERATIONS**..... 1  
**INTRODUCTION**..... 1  
**INSTALLATION**..... 2-7

## SAFETY CONSIDERATIONS

Installing, starting up and servicing air-conditioning equipment can be hazardous due to system pressures, electrical components, and equipment locations.

When installing this accessory, observe precautions in the literature and on any labels attached to the equipment, and all other safety precautions that may apply.

- Follow all safety codes.
- Wear safety glasses and work gloves.
- Use care in handling and installing this accessory.

	<p style="text-align: center;"><b>ELECTRIC SHOCK HAZARD</b></p> <p>To avoid the possibility of electrical shock, open and tag all disconnects before installing this equipment.</p>
--	---

<b>⚠ CAUTION</b>
<p>Only trained, qualified installers and service mechanics should install, start up, and service this equipment. Untrained personnel can perform basic maintenance functions such as cleaning coils. All other operations should be performed by trained service personnel. When working on the equipment, observe precautions in the literature and on tags, stickers, and labels attached to the equipment.</p>

## INTRODUCTION

Table 1 lists the usage for the accessory kits. Table 2 lists the kit contents. The accessory condenser coil hail guards are designed to help protect the installed unit against harsh weather conditions and debris.

Check each item for shipping damage. If any damage is found, file a claim with the shipping agent immediately. If any item is missing or if any part does not assemble properly, notify your Carrier distributor.

**Table 1 — Accessory Package Usage**

30RA	PACKAGE(S) REQUIRED (Quantity required)
<b>010-018</b>	30RA-900---004 (1)
<b>022,025</b>	30RA-900---013 (1)
<b>030</b>	30RA-900---014 (1)
<b>032-040</b>	30RA-900---004 (1) (Circuit B) 30RA-900---013 (1) (Circuit A)
<b>045,050</b>	30RA-900---013 (2)
<b>055</b>	30RA-900---014 (2)

**Table 2 — Accessory Contents**

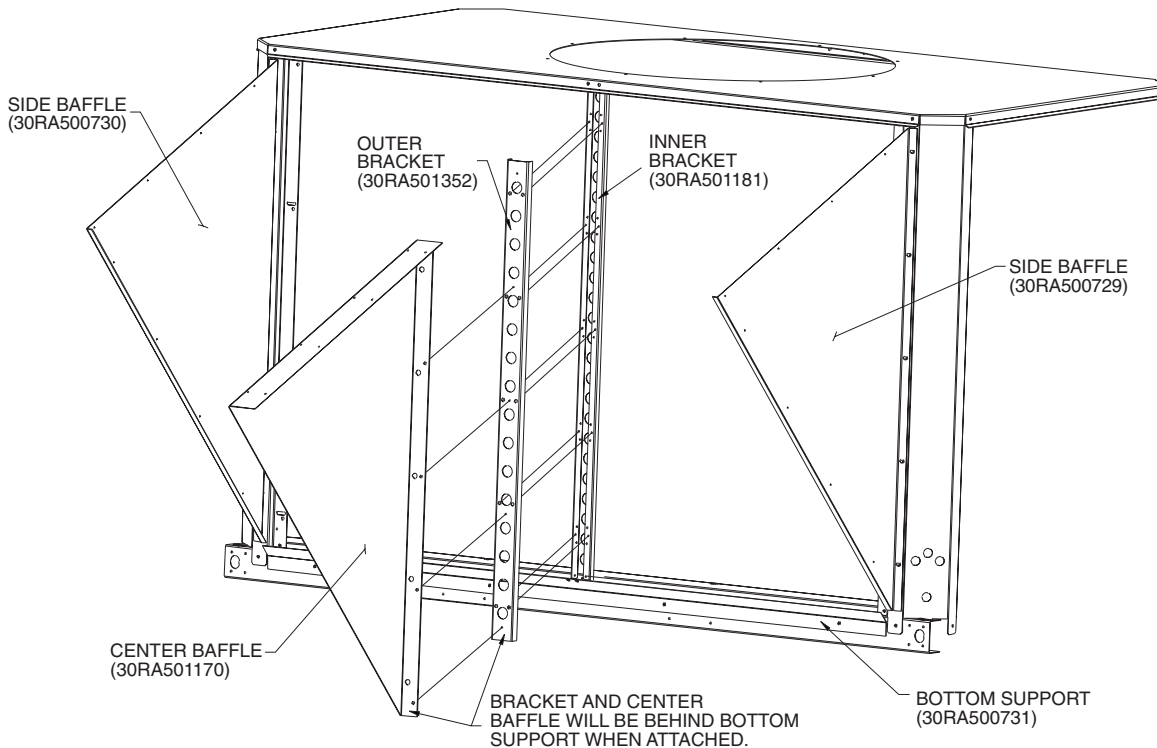
ACCESSORY PART NO.	DESCRIPTION	QTY
<b>30RA-900---004</b>	Top Panel (30RA500728)	1
	Side Baffle (30RA500730)	1
	Grille Support (30RA500876)	2
	Side Baffle (30RA500729)	1
	Center Support (30RA501174)	1
	Center Baffle (30RA501170)	1
	10AB-16 x 1/2 Screw (AL79AU216)	48
	Bottom Support (30RA500731)	1
	Grille (30RA500094)	2
	Inner Bracket (30RA501181)	1
Outer Bracket (30RA501352)	1	
<b>30RA-900---013</b>	Top Panel (30RA501171)	1
	Top Panel (30RA501172)	1
	Side Baffle (30RA500730)	1
	Grille Support (30RA500876)	2
	Side Baffle (30RA500729)	1
	Center Support (30RA501174)	1
	Center Baffle (30RA501170)	1
	10AB-16 x 1/2 Screw (AL79AU216)	59
	Bottom Support (30RA501173)	2
	Grille (30RA500129)	2
Inner Bracket (30RA501181)	1	
Outer Bracket (30RA501352)	1	
<b>30RA-900---014</b>	Top Panel (30RA501171)	1
	Top Panel (30RA501172)	1
	Side Baffle (30RA500730)	2
	Grille Support (30RA500876)	4
	Side Baffle (30RA500729)	2
	Center Support (30RA501174)	1
	Center Baffle (30RA501170)	1
	10AB-16 x 1/2 Screw (AL79AU216)	93
	Bottom Support (30RA501173)	2
	Grille (30RA500129)	2
	Inner Bracket (30RA501181)	2
	Outer Bracket (30RA501352)	1
	Grille (30RA500130)	1
Top Panel (30RA501175)	1	

## INSTALLATION

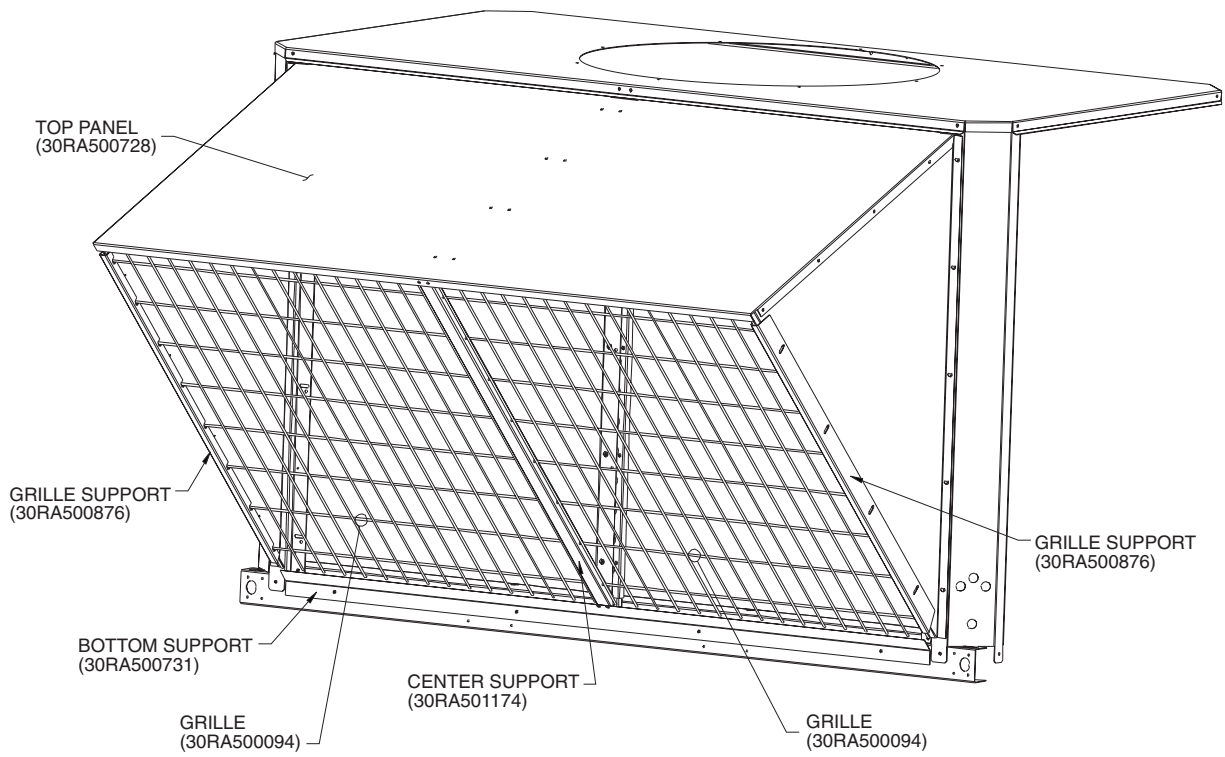
### 30RA-900---004 (30RA010-018; 032-040 Circuit B)

**NOTE: If security grilles have been installed on the coil, remove the grilles and the grille supports in the center of the coil.**

1. Disconnect unit power.
2. Attach Bottom Support (30RA500731) to base rail using the screws provided. Holes are provided in the base rail. See Fig. 1.
3. Attach the triangular Side Baffle (30RA500730) to the left side of the unit (looking at the coil) using the screws provided. Holes are provided in the corner post. See Fig. 1.
4. Attach the triangular Side Baffle (30RA500729) to the right side of the unit (looking at the coil) using the screws provided. Holes are provided in the corner post. See Fig. 1.
5. Attach the Inner Bracket (30RA501181) to the unit using the screws provided. Holes are provided in the top deck and the coil support of the unit. See Fig. 1.
6. Attach the Outer Bracket (30RA501352) to the unit using the screws provided. This part wraps around the Inner Bracket. See Fig. 1.
7. Attach the triangular Center Baffle (30RA501170) to the holes in the Outer Bracket using the screws provided. Holes are provided in the Outer Bracket. See Fig. 1.
8. Attach the Top Panel (30RA500728) to the Side Baffles and the Center Baffle using the screws provided. The side flanges fit over the outside of the baffles. The top flange nearest the unit will have to be angled under the top deck of the unit before attachment to the side baffles. The middle of the top panel attaches to the Center Baffle through holes provided in the Top Panel. See Fig. 2.
9. Attach the Center Support (30RA501174) to the Top Panel and the Bottom Support using the screws provided. The support fits behind the flanges of the Top Panel and the Bottom Support. See Fig. 2.
10. Slide one of the two Grilles (30RA500094) from the left side, behind the flange of the Top Panel and the Bottom Support until the grille fits through the holes in the Center Support. See Fig. 2. Repeat for the right side.
11. Attach one of the Grille Supports (30RA500876) to the left Side Baffle using the holes provided. The grille should be firmly wedged between the Baffle and Grille Support when complete. See Fig. 2. Repeat for the right side.
12. Restore power to the unit.



**Fig. 1 — Bottom Support, Baffles, and Bracket Locations 30RA-900---004**



**Fig. 2 — Top Panel and Grille Support Locations 30RA-900---004**

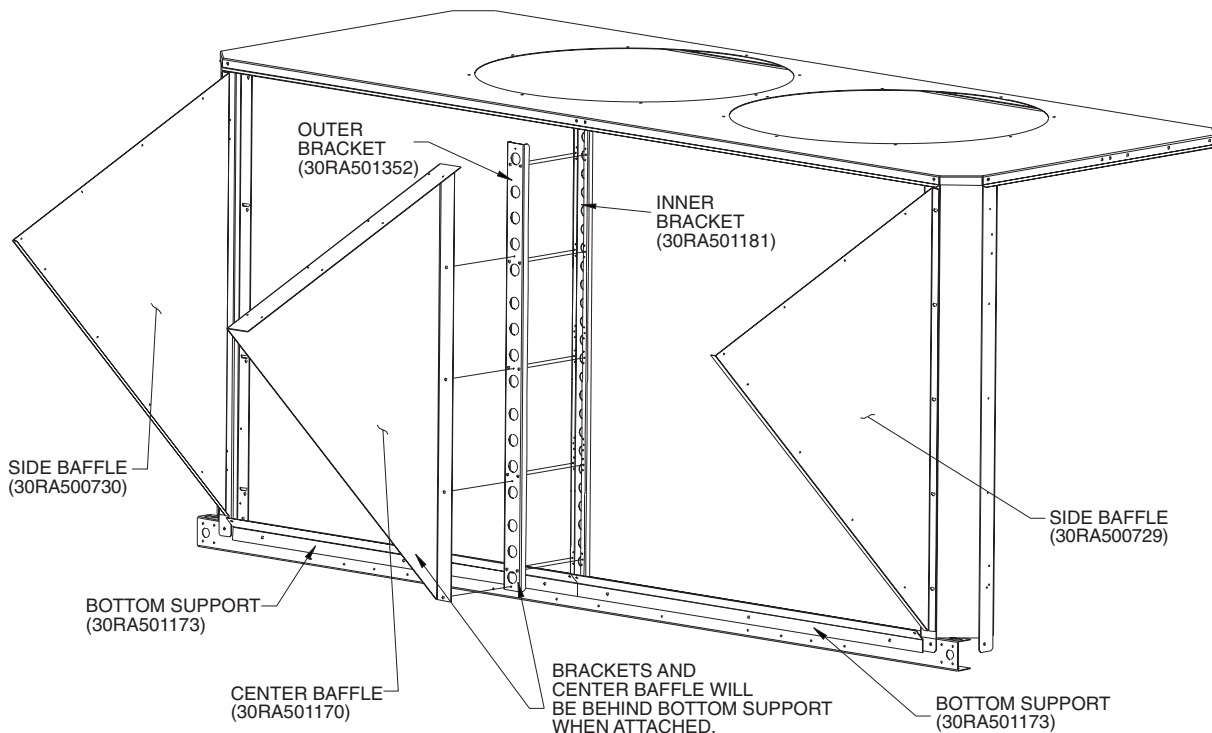
**30RA-900---013 (30RA022, 025; 032-040 Circuit A; 045,050 One for each circuit)**

**NOTE: If security grilles have been installed on the coil, remove the grilles and the grille supports in the center of the coil.**

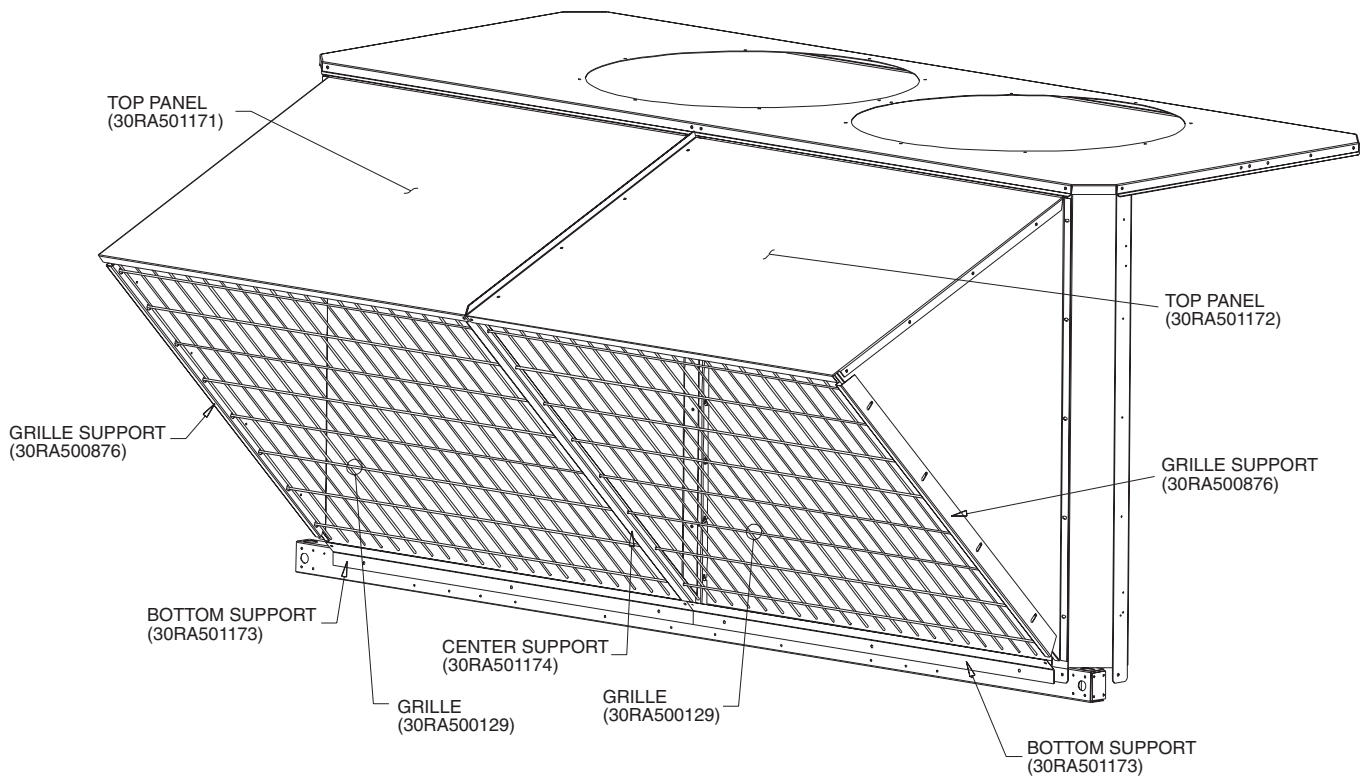
1. Disconnect unit power.
2. Attach both Bottom Supports (30RA501173) to base rail using the screws provided. Holes are provided in the base rail. See Fig. 3.
3. Attach the triangular Side Baffle (30RA500730) to the left side of the unit (looking at the coil) using the screws provided. Holes are provided in the corner post. See Fig. 3.
4. Attach the triangular Side Baffle (30RA500729) to the right side of the unit (looking at the coil) using the screws provided. Holes are provided in the corner post. See Fig. 3.
5. Attach the Inner Bracket (30RA501181) to the unit using the screws provided. Holes are provided in the top deck and the coil support of the unit. See Fig. 3.
6. Attach the Outer Bracket (30RA501352) to the unit using the screws provided. This part wraps around the Inner Bracket. See Fig. 3.
7. Attach the triangular Center Baffle (30RA501170) to the holes in the Outer Bracket using the screws provided. Holes are provided in the Outer Bracket. See Fig. 3.
8. Attach the left Top Panel (30RA501171) to the left Side Baffle and the Center Baffle using the screws provided.

The left side flange fits over the outside of the left baffle. The top flange nearest the unit will have to be angled under the top deck of the unit before attachment to the side baffles. The middle of the top panel attaches to the Center Baffle through holes provided in the Top Panel. See Fig. 4.

9. Attach the right Top Panel (30RA501172) to the right Side Baffle and the Center Baffle using the screws provided. The right side flange fits over the outside of the right baffle. The top flange nearest the unit will have to be angled under the top deck of the unit before attachment to the side baffles. The middle of the top panel attaches to the Center Baffle through holes provided in the Top Panel. See Fig. 4.
10. Attach the Center Support (30RA501174) to the Top Panel and the Bottom Support using the screws provided. The support fits behind the flanges of the Top Panel and the Bottom Support. See Fig. 4.
11. Slide one of the two Grilles (30RA500129) from the left side, behind the flange of the Top Panel and the Bottom Support until the grille fits through the holes in the Center Support. See Fig. 4. Repeat for the right side.
12. Attach one of the Grille Supports (30RA500876) to the left Side Baffle using the holes provided. The grille should be firmly wedged between the Baffle and Grille Support when complete. See Fig. 4. Repeat for the right side.
13. Restore power to the unit.



**Fig. 3 — Side Panel and Center Panel Locations 30RA-900---013,014**



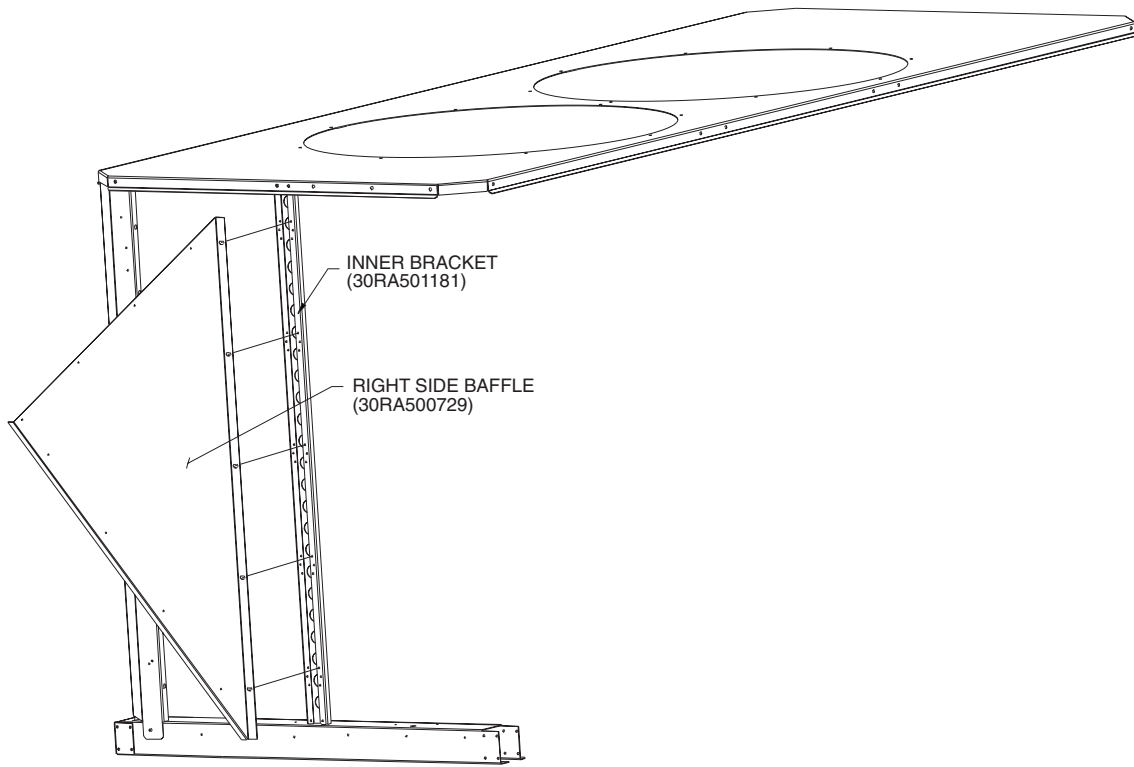
**Fig. 4 — Top Panel and Grille Support Locations 30RA-900---013**

**30RA-900---014 (30RA030; 055 One for each circuit)**

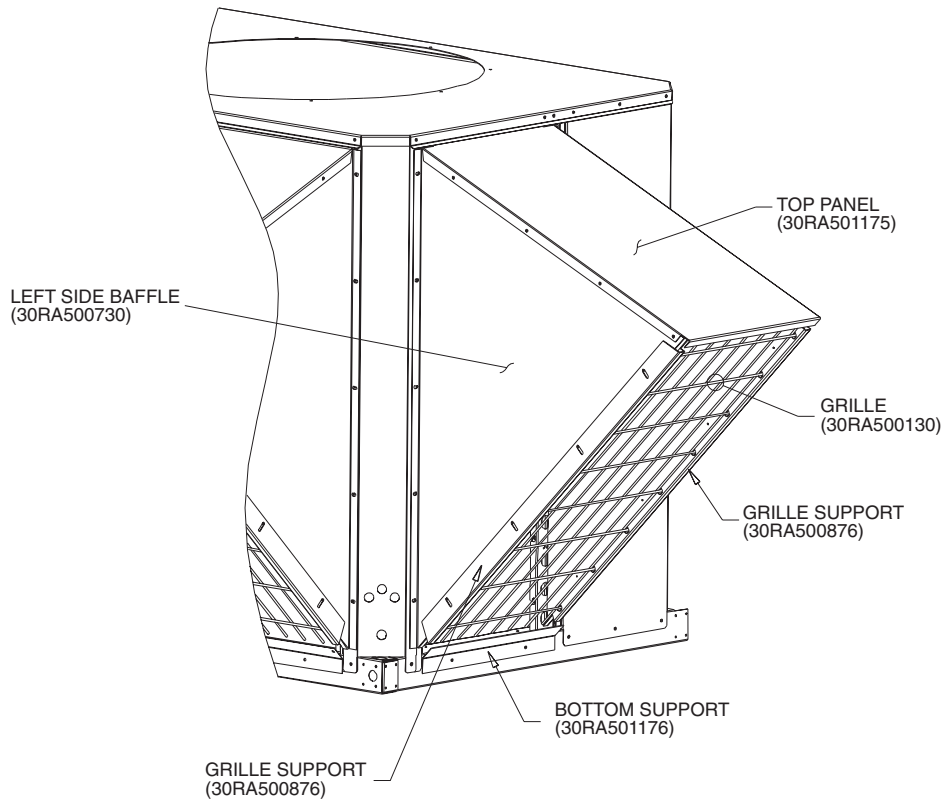
**NOTE: If security grilles have been installed on the coil, remove the grilles and the grille supports in the center of the coil and at the end of the coil.**

Follow the same instructions for 30RA-900---013 for the long portion (unit side) of the coil. The following instructions are for the short portion (unit end) of the coil.

1. Disconnect unit power.
2. Attach the Inner Bracket (30RA501181) to the unit near the end of the coil (end opposite control box) using the screws provided. Holes are provided in the top deck and the coil support of the unit. The open side of the part should point out. See Fig. 5.
3. Attach the triangular Side Baffle (30RA500730) to the left side of the section (looking at the coil) using the screws provided. Holes are provided in the corner post (for single circuit or Circuit A installation) and the Inner Bracket installed in Step 2 (for Circuit B installation). See Fig. 5.
4. Attach the triangular Side Baffle (30RA500729) to the right side of the section (looking at the coil) using the screws provided. Holes are provided in the corner post (for Circuit B installation) and the Inner Bracket installed in Step 2 (for single circuit or Circuit A installation). See Fig. 6.
5. Attach the Top Panel (30RA501175) to the Side Baffles using the screws provided. The side flanges fit over the outside of the baffles. The top flange nearest the unit will have to be angled under the top deck of the unit before attachment to the side baffles. See Fig. 6.
6. From the left or right side, slide the small Grille (30RA500130) behind the flange of the Top Panel. See Fig. 6.
7. Attach one of the Grille Supports (30RA500876) to the left Side Baffle using the holes provided. The grille should be firmly wedged between the Baffle and Grille Support when complete. See Fig. 6. Repeat for the right side.
8. Restore power to the unit.



**Fig. 5 — Side Baffle and Inner Bracket Locations 30RA-900--014**



**Fig. 6 — Top Panel and Side Panel Locations 30RA-900---014**

