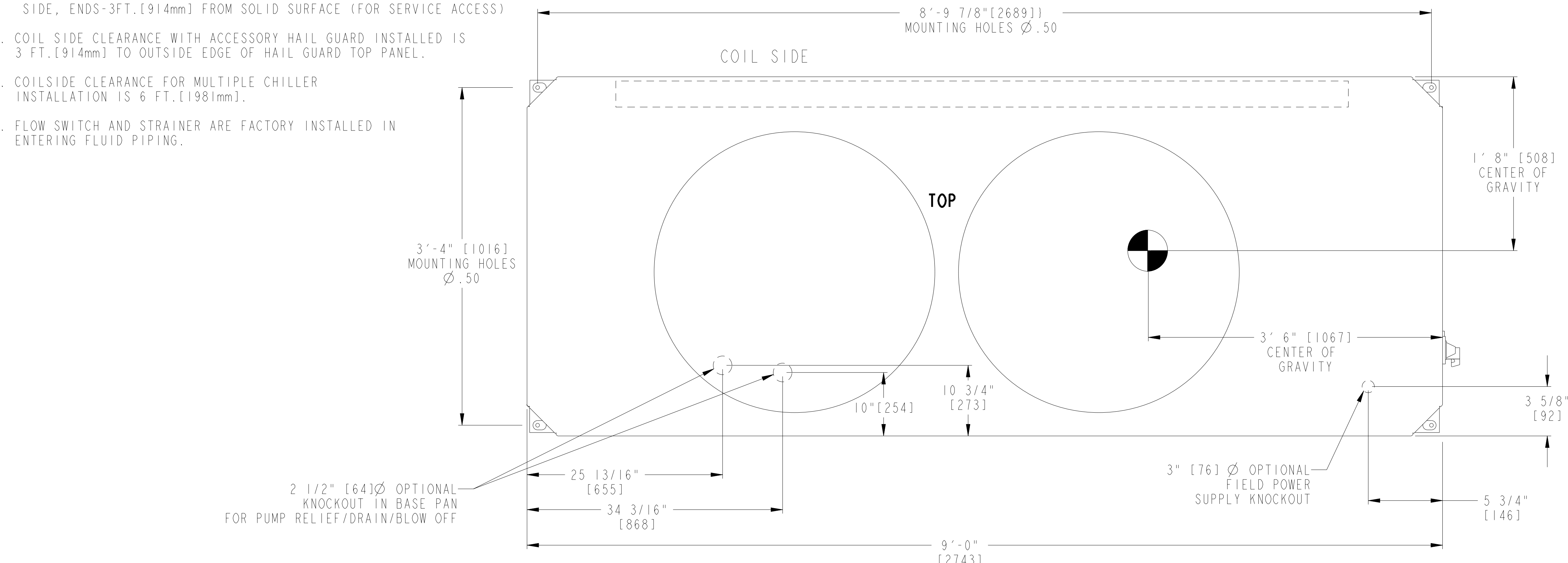


- NOTES:
- UNIT MUST HAVE CLEARANCES FOR AIRFLOW AS FOLLOWS:
TOP-DO NOT RESTRICT IN ANY WAY
COIL SIDE- 3 1/2 FT.[1067mm] FROM SOLID SURFACE
SIDE, ENDS-3FT.[914mm] FROM SOLID SURFACE (FOR SERVICE ACCESS)
 - COIL SIDE CLEARANCE WITH ACCESSORY HAIL GUARD INSTALLED IS 3 FT.[914mm] TO OUTSIDE EDGE OF HAIL GUARD TOP PANEL.
 - COILSIDE CLEARANCE FOR MULTIPLE CHILLER INSTALLATION IS 6 FT.[1981mm].
 - FLOW SWITCH AND STRAINER ARE FACTORY INSTALLED IN ENTERING FLUID PIPING.



UNIT	TOTAL OPERATING WEIGHT - AL. FIN		TOTAL OPERATING WEIGHT - CU. FIN	
	LBS.	KG.	LBS.	KG.
30RA022-60Hz	1519	689	1709	775
30RA022-50Hz	1551	703	1740	789
30RA025-60Hz	1584	718	1775	805
30RA025-50Hz	1625	737	1815	823

