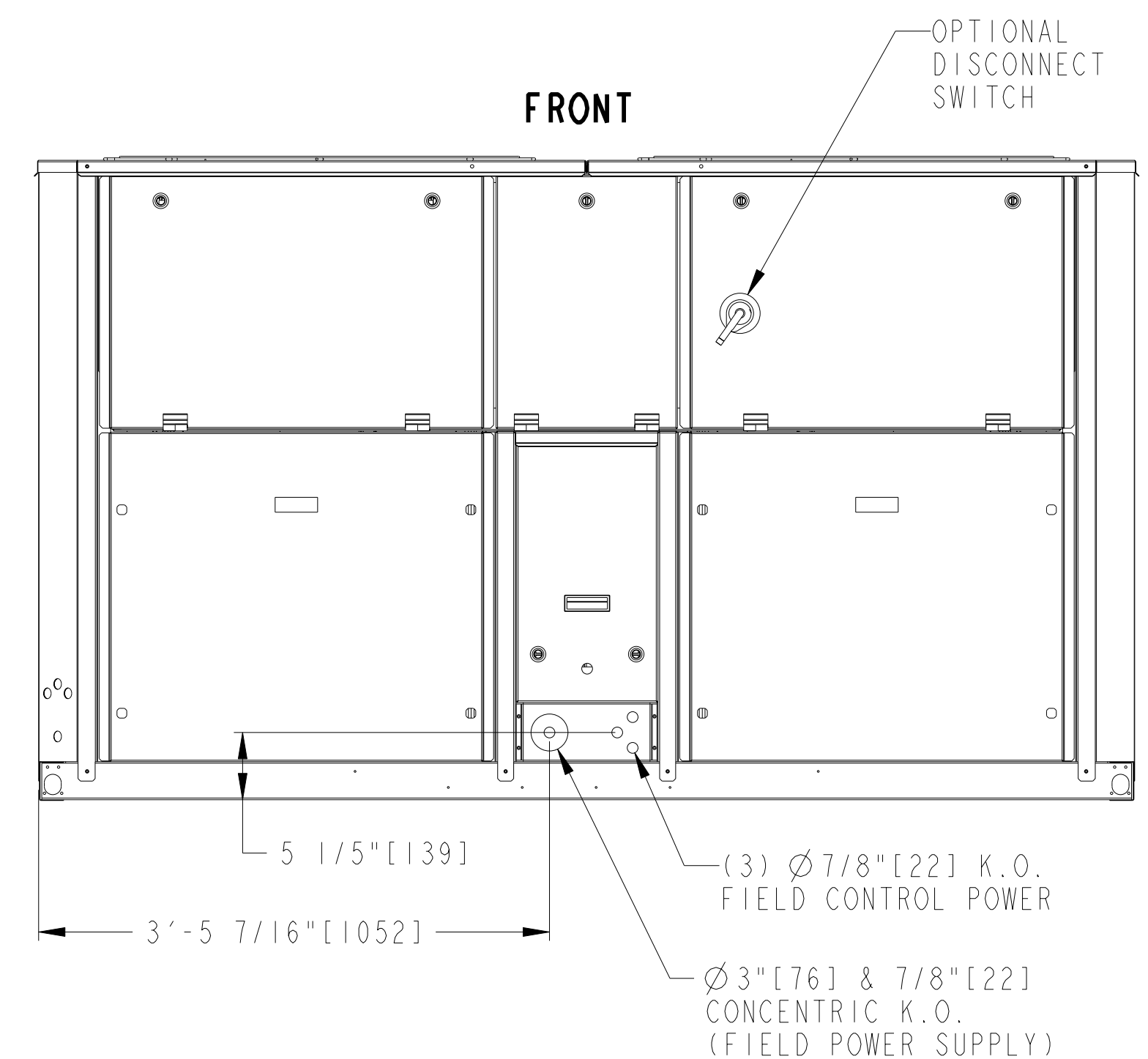
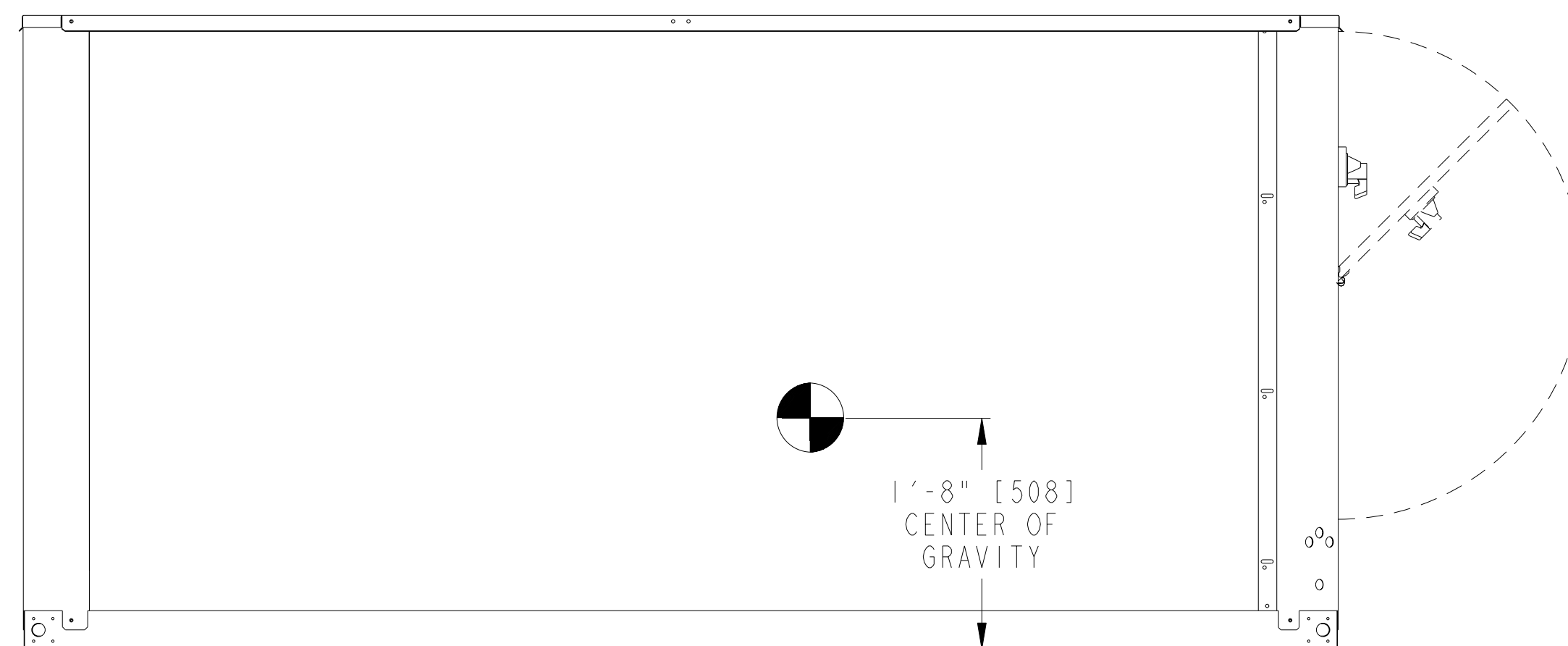
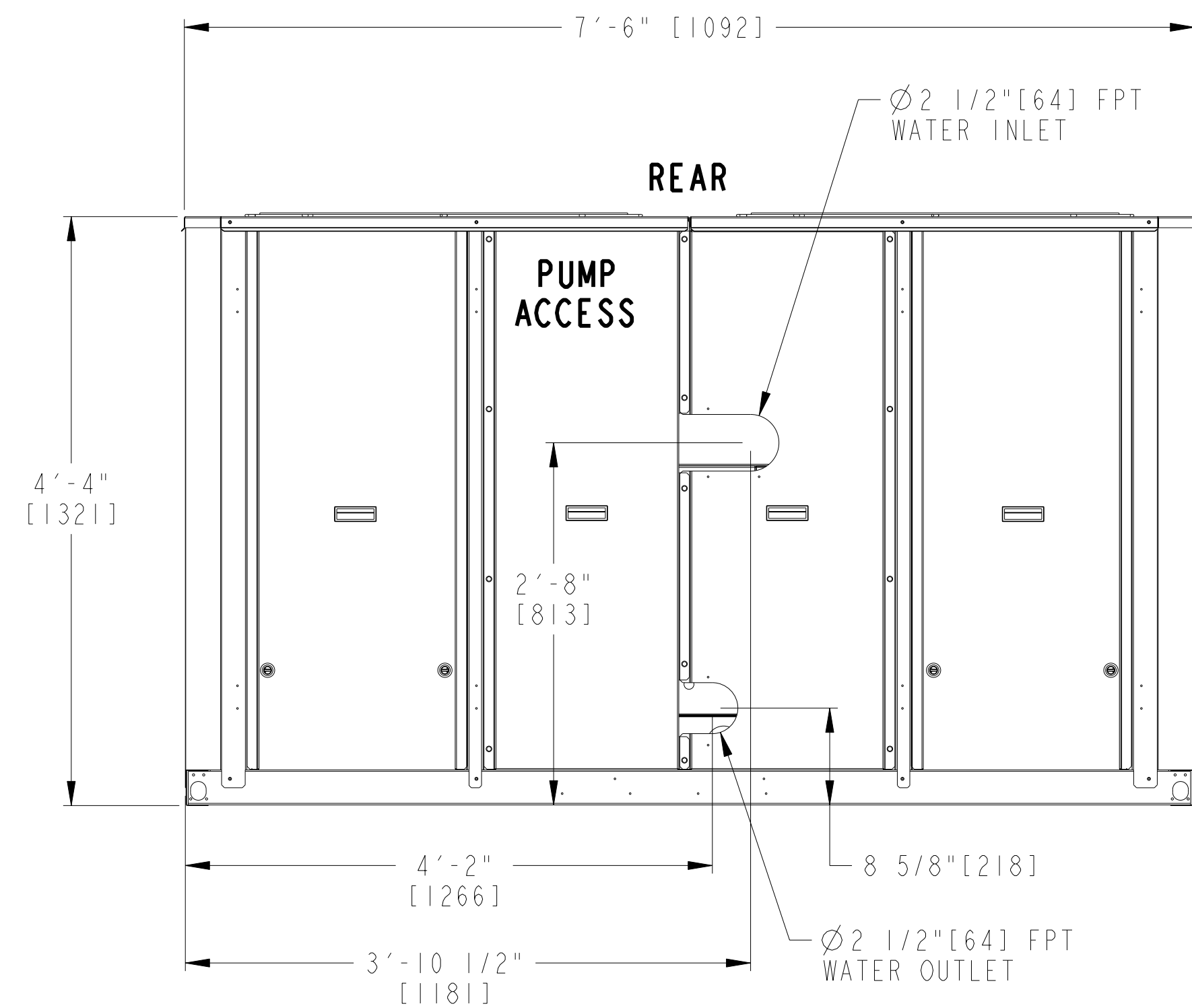
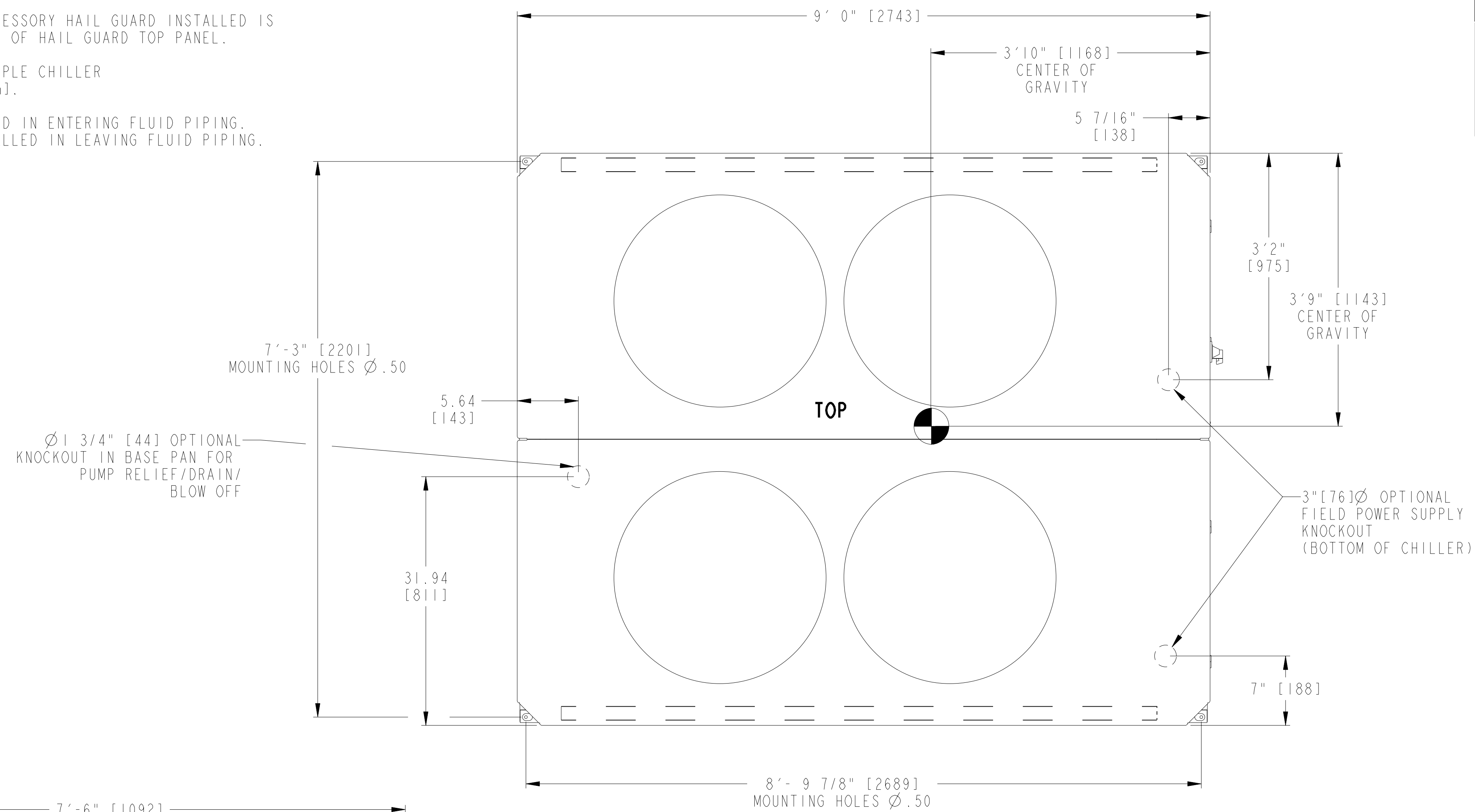


NOTES:

- UNIT MUST HAVE CLEARANCES FOR AIRFLOW AS FOLLOWS:  
TOP-DO NOT RESTRICT IN ANY WAY  
COIL SIDE- 3 1/2 FT.[1067mm] FROM SOLID SURFACE  
SIDE, ENDS-3FT.[914mm] FROM SOLID SURFACE (FOR SERVICE ACCESS)
- COIL SIDE CLEARANCE WITH ACCESSORY HAIL GUARD INSTALLED IS 3 FT.[914mm] TO OUTSIDE EDGE OF HAIL GUARD TOP PANEL.
- COILSIDE CLEARANCE FOR MULTIPLE CHILLER INSTALLATION IS 6 FT.[1981mm].
- STRAINER IS FACTORY INSTALLED IN ENTERING FLUID PIPING.  
FLOW SWITCH IS FACTORY INSTALLED IN LEAVING FLUID PIPING.

UNIT	TOTAL OPERATING WEIGHT - AL.FIN		TOTAL OPERATING WEIGHT - CU.FIN	
	LBS.	KG.	LBS.	KG.
30RA042-50Hz	3268	1483	3648	1655
30RA045-60Hz	3202	1452	3583	1625
30RA045-50Hz	3389	1537	3840	1742
30RA050-60Hz	3295	1495	3675	1667



DATE	SUPERCEDES	30RA 042-050 AQUASNAP CHILLER	30RA500644	REV
03/26/01	3/22/01			3.0