



UNITED TECHNOLOGIES  
CARRIER P.O. BOX 4808  
SYRACUSE, NY 13221

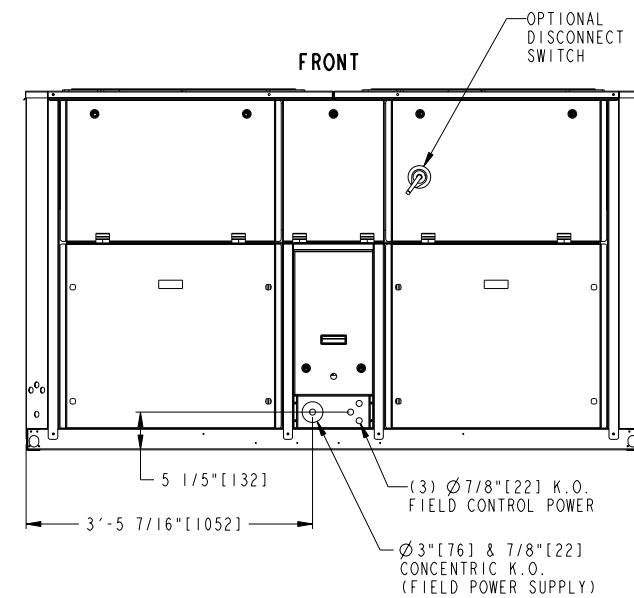
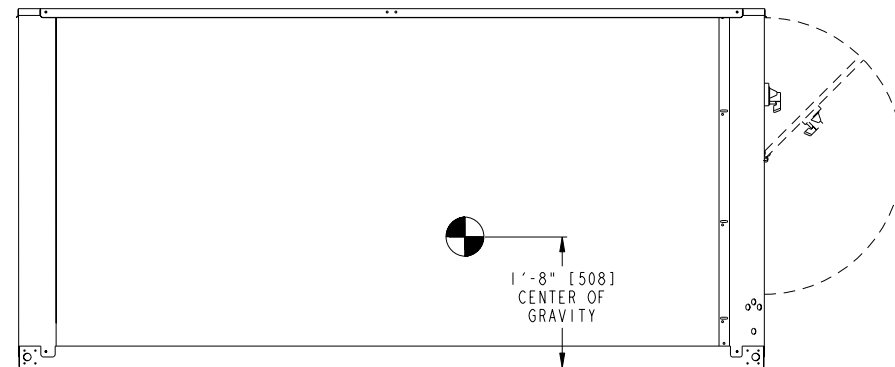
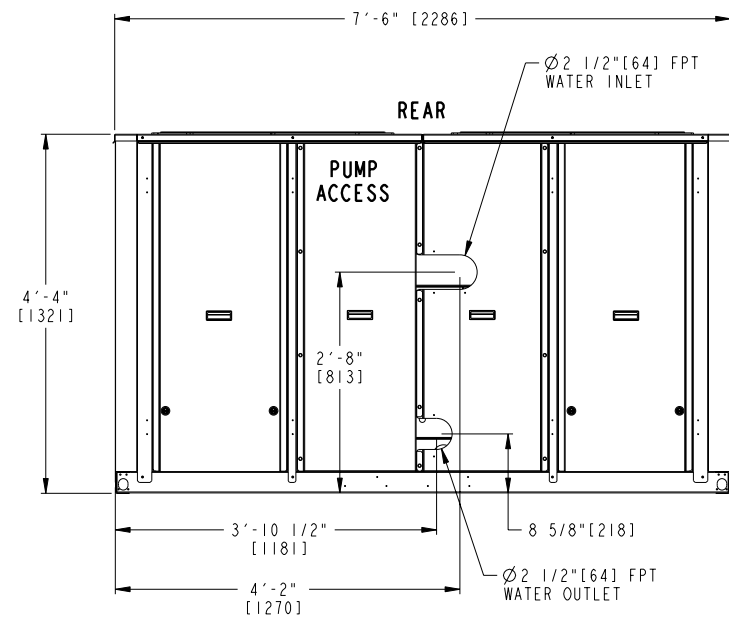
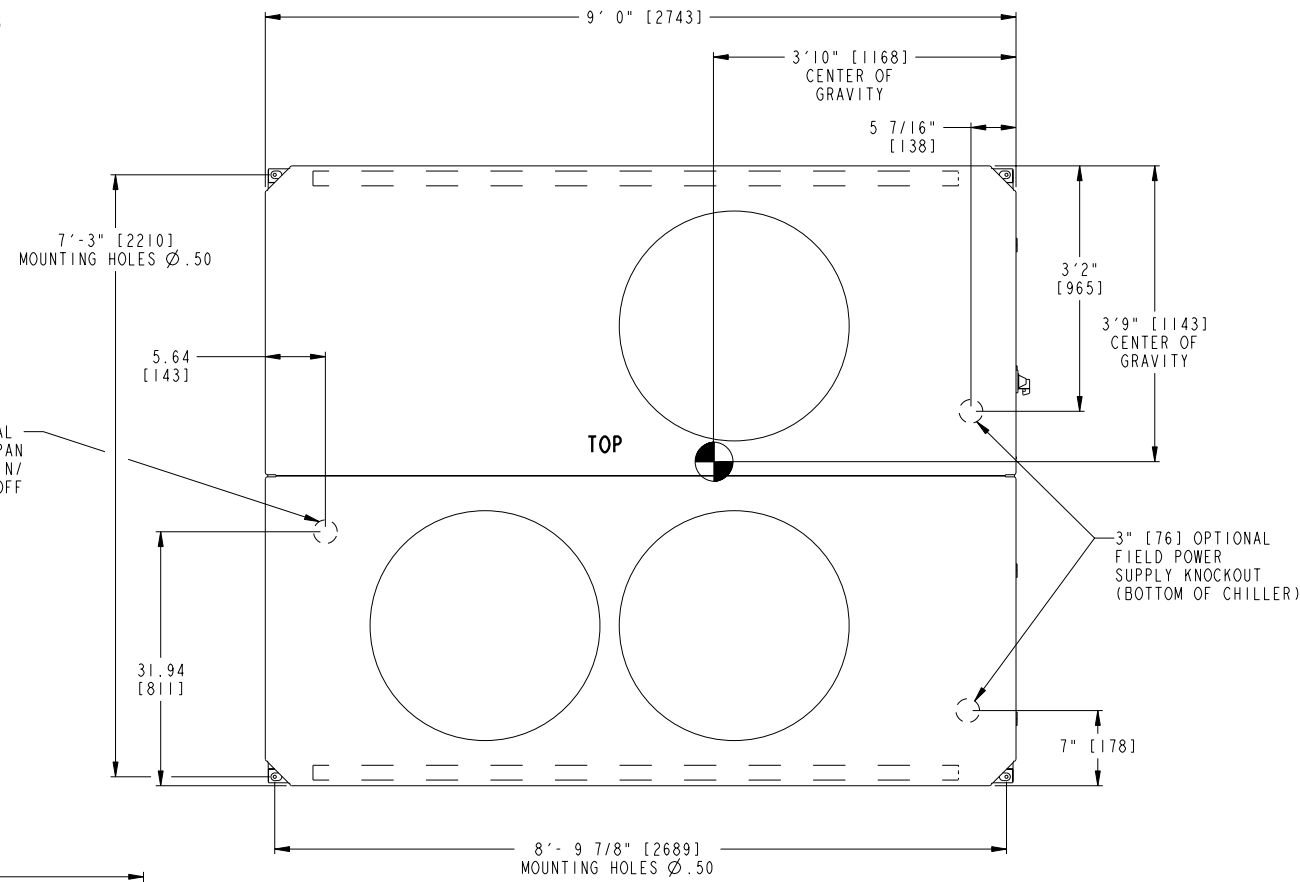
THIS DOCUMENT IS THE PROPERTY OF CARRIER CORPORATION AND IS DELIVERED UPON THE EXPRESS CONDITION THAT THE CONTENTS WILL NOT BE DISCLOSED OR USED WITHOUT CARRIER CORPORATION'S WRITTEN CONSENT.

SUBMISSION OF THESE DRAWINGS OR DOCUMENTS DOES NOT CONSTITUTE PART PERFORMANCE OR ACCEPTANCE OF CONTRACT.

**NOTES:**

- UNIT MUST HAVE CLEARANCES FOR AIRFLOW AS FOLLOWS:  
TOP-DO NOT RESTRICT IN ANY WAY  
COIL SIDE- 3 1/2 FT. [1067mm] FROM SOLID SURFACE  
SIDE, ENDS-3FT. [914mm] FROM SOLID SURFACE (FOR SERVICE ACCESS)
- COIL SIDE CLEARANCE WITH ACCESSORY HAIL GUARD INSTALLED IS 3 FT. [914mm] TO OUTSIDE EDGE OF HAIL GUARD TOP PANEL.
- COILSIDE CLEARANCE FOR MULTIPLE CHILLER INSTALLATION IS 6 FT. [1981mm].
- STRAINER IS FACTORY INSTALLED IN ENTERING FLUID PIPING.  
FLOW SWITCH IS FACTORY INSTALLED IN LEAVING FLUID PIPING

UNIT	TOTAL OPERATING WEIGHT - AL.FIN		TOTAL OPERATING WEIGHT - CU.FIN	
	LBS.	KG.	LBS.	KG.
30RA032-50Hz	2828	1283	3208	1455
30RA035-60Hz	2833	1285	3213	1458
30RA035-50Hz	2940	1334	3320	1506
30RA040-60Hz	2900	1315	3280	1488



DATE 03/25/01	SUPERCEDES 3/22/01	30RA 032-040 AQUASNAP CHILLER	30RA500645	REV 3.0
------------------	-----------------------	-------------------------------	------------	------------