

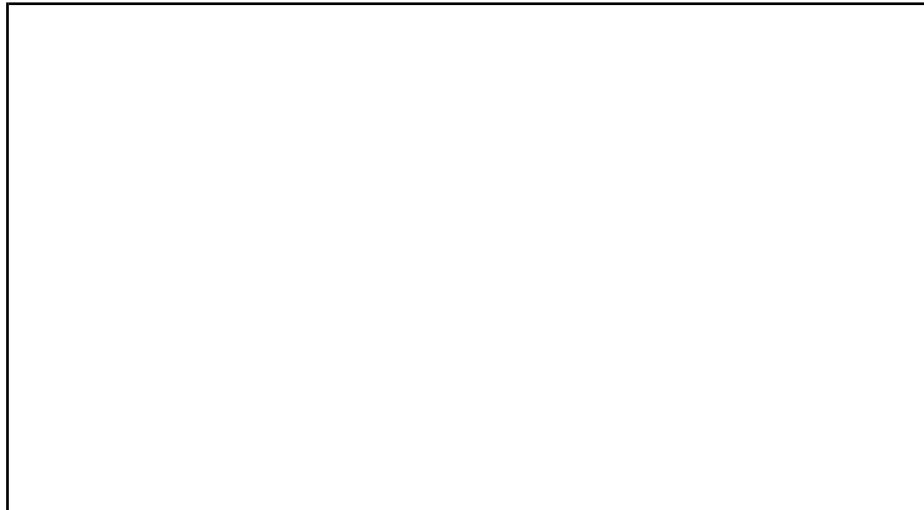


33CS-34SB

33CSSP2-WC

**DEBONAIR™
COMMERCIAL THERMOSTAT
PROGRAMMABLE OPERATION**

- PERFORMANCE DATA**
- PHYSICAL DIMENSION PRINT**



Date:	Supersedes:	33CSSP2-WC COMMERCIAL THERMOSTAT	33CS	Rev.:
JOB NAME:		LOCATION:		
BUYER:	BUYER P.O. #	CARRIER #		
UNIT NUMBER:		MODEL NUMBER:		
PERFORMANCE DATA CERTIFIED BY:			DATE:	

PERFORMANCE DATA

Physical Characteristics

Dimensions (L x W x D): 3.13" x 3.13" x 1.13"
 Appearance: Plastic Material; Designer White Color;
 Textured Cover
 Weight: Approx. 1 lb

Power Requirement

5 VA @ 24 VAC 50/60 Hz
 No Batteries Required

Environmental Requirements

Temperature:
 Operating: 41 to 104 F (5 C to 40 C)
 Non-Operating: -40 to 135 F (-40 C to 57 C)
 Humidity: 0 to 95% RH, Non-Condensing

Recommended Wiring

22 AWG (36 ft maximum)
 18 AWG (100 ft maximum)

Agency Approvals

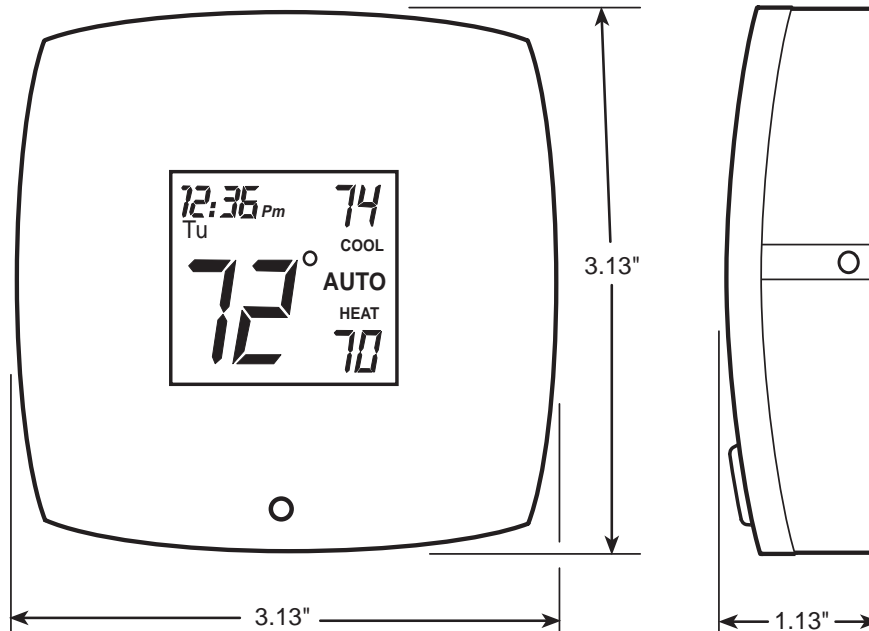
FCC Part 15
 Title 24



Electrical Characteristics

Input: 24 VAC
 Outputs:
 Minimum Load = 1000 ohms
 Max Load = 1.5 A, 50% pf, Inductive
 Nominal Load Capacity = 1.5 Amps

PHYSICAL DIMENSION PRINT



Thermostat shown with locking cover installed.