

**40QAC024 with 38HDR018
13 SEER Underceiling System
Performance™ Series Cooling Only
with Puron® Refrigerant**



Turn to the Experts.™

Submittal Data

Job Data: _____ Location: _____

Buyer: _____ Buyer P.O.# _____ Carrier # _____

Unit Number: _____ Model Number: _____

Performance Data Certified By: _____ Date: _____



40QAC



38HDR



FEATURES

- 13 SEER
- Available in 1-1/2, 2, 4 & 5 ton capacities
- Electric heat and auto changeover on heat pumps
- Electro-mechanical control allows ultimate flexibility
- Auto sweep standard
- Slide-in air filters
- Restart function after power failure-thermostat dependent
- Accessory fresh air intake available (30%)
- Mounting bracket standard
- Accessory condensate pump fits in unit
- Limited Warranty: 1-year parts / 5-year compressor

Indoor Unit - 40QAC / Outdoor Unit - 38HDR

(Unless otherwise indicated, data applies to both indoor and outdoor models)

SYSTEM SIZE	018	MCA	
REFRIGERANT	R-410A	Indoor	0.53
OPERATING WEIGHT (lb)		Outdoor	12.1
Indoor	108	MOCP	
Outdoor	166	Indoor	15
PERFORMANCE		Outdoor	20
Nominal Capacity		Fan Motor (Indoor) (FLA)	0.50
Indoor (Btuh)	18,000	CONTROLS	
Outdoor (Tons)	1.5	Control Remote	Wired
SEER	13	Control Voltage	24v
Moisture Removal Rate(Pints/hr)	4	Control Wiring (0-75 ft.)	18 AWG
Airflow (Low/Med/High)	320 / 400 / 500	Control Wiring (75-200 ft.)	16 AWG
ELECTRICAL		REFRIGERANT LINES (Insulate vapor line)	
Power Wires	14 AWG*	Liquid Line (in.) OD	3/8
System Voltage	208/230-1-60	Vapor Line (in.) OD	5/8
		Metering/Control Device	Accurater at indoor unit

* Refer to NEC and local codes for compliance requirements.

Condensate Pump:	Standard <input type="checkbox"/>	Accessory <input type="checkbox"/>	Not Required <input type="checkbox"/>
Thermostat Slim Line 7-Day Programmable:	Standard <input type="checkbox"/>	Accessory <input type="checkbox"/>	Not Required <input type="checkbox"/>
Thermostat Flat Stat 7-Day Programmable:	Standard <input type="checkbox"/>	Accessory <input type="checkbox"/>	Not Required <input type="checkbox"/>
Thermostat Super T2 5-1-1 Commercial:	Standard <input type="checkbox"/>	Accessory <input type="checkbox"/>	Not Required <input type="checkbox"/>
Crankcase Heater:	Standard <input type="checkbox"/>	Accessory <input type="checkbox"/>	Not Required <input type="checkbox"/>

Low Ambient Kit:	Standard <input type="checkbox"/>	Accessory <input type="checkbox"/>	Not Required <input type="checkbox"/>
Winter Start Kit:	Standard <input type="checkbox"/>	Accessory <input type="checkbox"/>	Not Required <input type="checkbox"/>
Wind Baffle:	Standard <input type="checkbox"/>	Accessory <input type="checkbox"/>	Not Required <input type="checkbox"/>
Stacking Kit:	Standard <input type="checkbox"/>	Accessory <input type="checkbox"/>	Not Required <input type="checkbox"/>
Wall Mount Kit (outdoor):	Standard <input type="checkbox"/>	Accessory <input type="checkbox"/>	Not Required <input type="checkbox"/>
Fresh Air Intake Kit:	Standard <input type="checkbox"/>	Accessory <input type="checkbox"/>	Not Required <input type="checkbox"/>
Remote Room Sensor Kit:	Standard <input type="checkbox"/>	Accessory <input type="checkbox"/>	Not Required <input type="checkbox"/>

UNIT DIMENSIONS – INDOOR MODEL

UNIT SIZE	INDOOR MODEL	WIDTH (IN.) A	HEIGHT (IN.) B	DEPTH (IN.) C
24	40QAC024-3	51	10	23

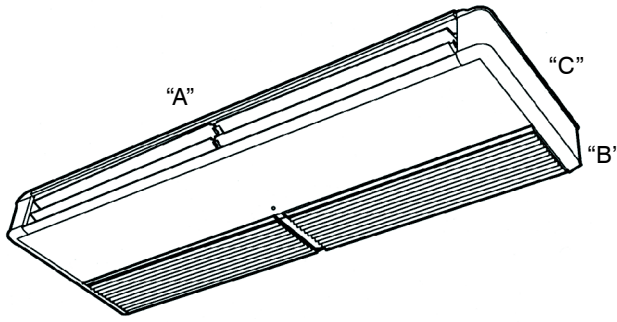


Fig. 1 – 40QAC Dimensions

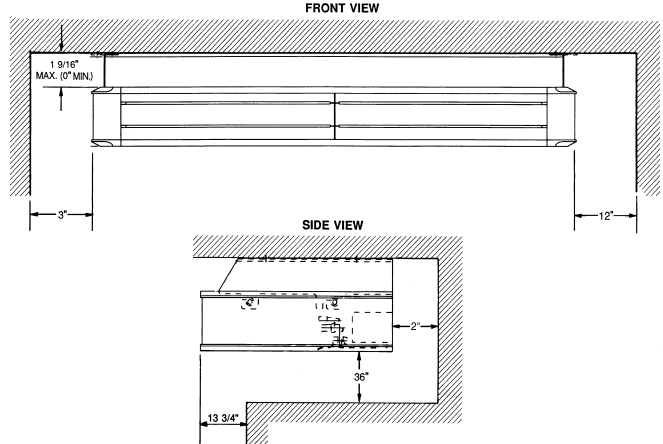


Fig. 2 – 40QAC Clearance

UNIT DIMENSIONS – OUTDOOR MODEL

UNIT SIZE	OUTDOOR MODEL	WIDTH (IN.) A	HEIGHT (IN.) B	DEPTH (IN.) C
18	38HDR018---3	37	25	15

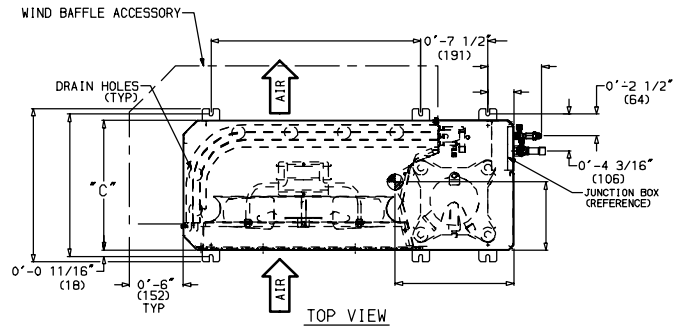
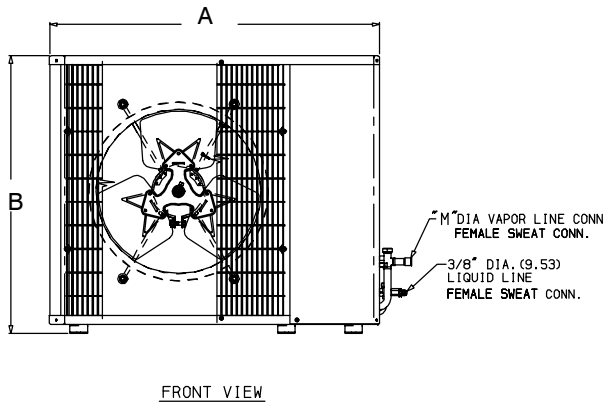
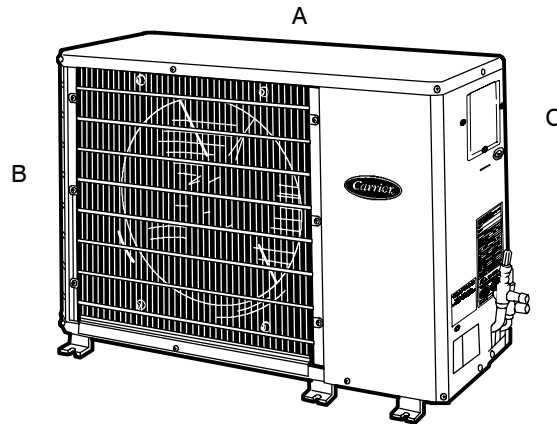


Fig. 3 – 38HDR DIMENSIONS