

**40QAC024 with 38HDR018
13 SEER Underceiling System
Performance™ Series Cooling Only
with Puron® Refrigerant**



Turn to the Experts.™

Submittal Data

Job Data: _____ Location: _____

Buyer: _____ Buyer P.O.# _____ Carrier # _____

Unit Number: _____ Model Number: _____

Performance Data Certified By: _____ Date: _____



40QAC



38HDR



FEATURES

- Mounting bracket
- Electro mechanical controls
- Auto restart after power failure
- User selectable fan speeds plus auto
- Cleanable filters
- Motorized louvers
- Accessory wired user interfaces
- Capable of connecting to an Energy Management system
- Up to 200 ft (61 m) total piping (accessories required)
- Accessory fresh air intake kit
- Low ambient operation down to -20°F (28.9°C) w/accessory
- Accessory condensate pump
- Power ventilation accessory
- Limited Warranty: 1-year parts / 5-year compressor
- Optional extended parts and labor warranty

Indoor Unit - 40QAC / Outdoor Unit - 38HDR

(Unless otherwise indicated, data applies to both indoor and outdoor models)

SYSTEM SIZE	018
REFRIGERANT	R-410A
PERFORMANCE	
Nominal Capacity (Btuh)	18,000
SEER	13
Moisture Removal Rate(Pints/hr)	4
Airflow (Low/Med/High)	320 / 400 / 500
SOUND PRESSURE (dBA)	
Indoor (Low/Med/High)	43.7 / 46.2 / 47.4
Outdoor	57
SOUND POWER (dBA)	
Indoor (Low/Med/High)	54.7 / 57.2 / 58.4
Outdoor	68
PERFORMANCE AT ACTUAL CONDITIONS:	
Attached <input type="checkbox"/>	Not Attached <input type="checkbox"/>

ELECTRICAL	
System Voltage	208/230-1-60
MCA	
Indoor	0.63
Outdoor	12.1
MOCP	
Indoor	15
Outdoor	20
Fan Motor (Indoor) (FLA)	0.50
CONTROLS	
Control Remote	Wired
Control Voltage	24v
Control Wiring (0-75 ft.)	18 AWG
Control Wiring (75-200 ft.)	16 AWG
REFRIGERANT LINES (Insulate vapor line)	
Liquid Line (in.) OD	3/8
Vapor Line (in.) OD	5/8
Metering/Control Device	Accurater at indoor unit

* Refer to NEC and local codes for compliance requirements.

Thermostat Slim Line 7-day Programmable:	Required <input type="checkbox"/>	Not Required <input type="checkbox"/>
Flat Stat 7-day Programmable:	Required <input type="checkbox"/>	Not Required <input type="checkbox"/>
Thermostat Super T2 5-1-1 Commercial:	Required <input type="checkbox"/>	Not Required <input type="checkbox"/>
Remote Room Sensor Kit:	Required <input type="checkbox"/>	Not Required <input type="checkbox"/>
Condensate Pump:	Required <input type="checkbox"/>	Not Required <input type="checkbox"/>
Fresh Air Intake Kit:	Required <input type="checkbox"/>	Not Required <input type="checkbox"/>

Low Ambient Kit:	Required <input type="checkbox"/>	Not Required <input type="checkbox"/>
Winter Start Kit:	Required <input type="checkbox"/>	Not Required <input type="checkbox"/>
Crankcase Heater:	Required <input type="checkbox"/>	Not Required <input type="checkbox"/>
Wind Baffle:	Required <input type="checkbox"/>	Not Required <input type="checkbox"/>
Stacking Kit:	Required <input type="checkbox"/>	Not Required <input type="checkbox"/>
Wall Mounting Kit:	Required <input type="checkbox"/>	Not Required <input type="checkbox"/>

UNIT DIMENSIONS – INDOOR MODEL

UNIT SIZE	INDOOR MODEL	WIDTH (IN.) A	HEIGHT (IN.) B	DEPTH (IN.) C	WEIGHT (LB)
24	40QAC024-3	50-15/16	9-15/16	23-1/8	108

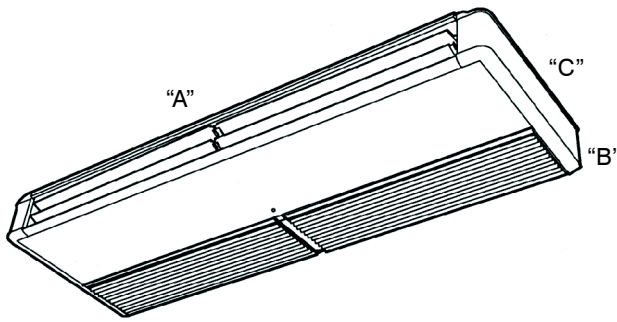


Fig. 1 – 40QAC Dimensions

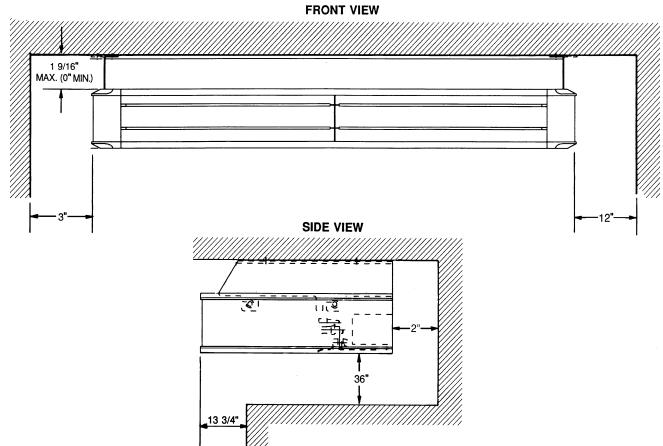
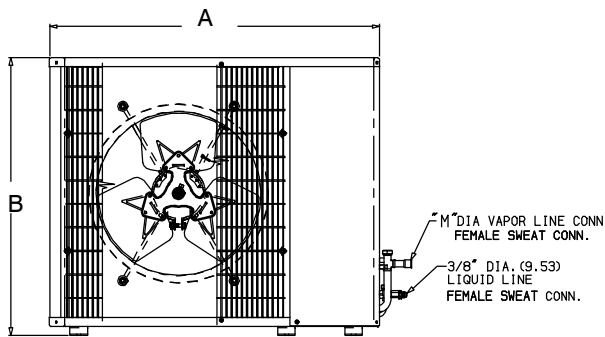
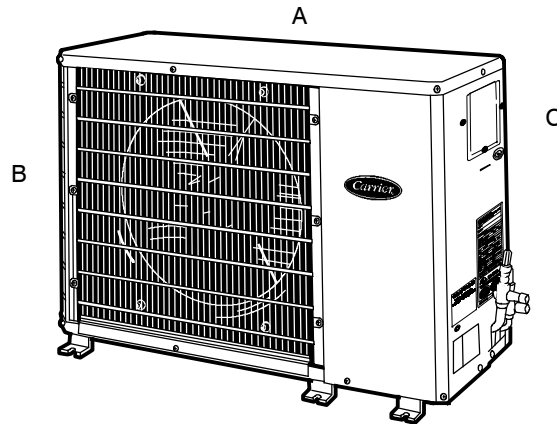


Fig. 2 – 40QAC Clearance

UNIT DIMENSIONS – OUTDOOR MODEL

UNIT SIZE	OUTDOOR MODEL	WIDTH (IN.) A	HEIGHT (IN.) B	DEPTH (IN.) C	WEIGHT (LB)
18	38HDR018--3	36-15/16	25-1/8	14-9/16	166



FRONT VIEW

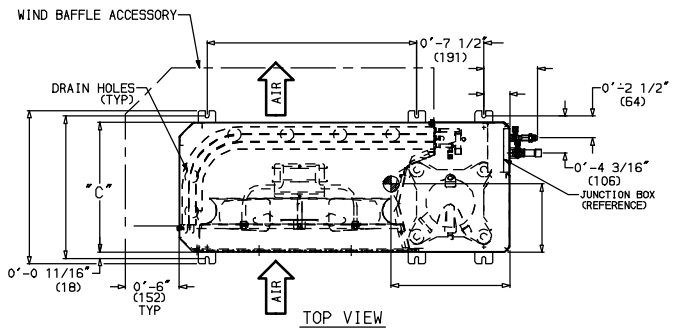


Fig. 3 – 38HDR DIMENSIONS