

**40QAC024 with 38HDR024**  
**13 SEER Underceiling System**  
**Performance™ Series Cooling Only**  
**with Puron® Refrigerant**



Turn to the Experts.™

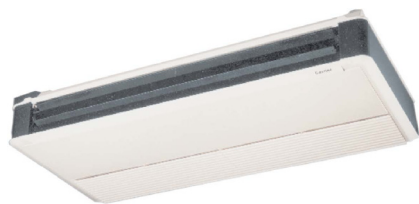
# Submittal Data

Job Data: \_\_\_\_\_ Location: \_\_\_\_\_

Buyer: \_\_\_\_\_ Buyer P.O.# \_\_\_\_\_ Carrier # \_\_\_\_\_

Unit Number: \_\_\_\_\_ Model Number: \_\_\_\_\_

Performance Data Certified By: \_\_\_\_\_ Date: \_\_\_\_\_



40QAC



38HDR



## FEATURES

- Mounting bracket
- Electro mechanical controls
- Auto restart after power failure
- User selectable fan speeds plus auto
- Cleanable filters
- Motorized louvers
- Accessory wired user interfaces
- Capable of connecting to an Energy Management system
- Up to 200 ft (61 m) total piping (accessories required)
- Accessory fresh air intake kit
- Low ambient operation down to -20°F (28.9°C) w/accessory
- Accessory condensate pump
- Power ventilation accessory
- Limited Warranty: 1-year parts / 5-year compressor
- Optional extended parts and labor warranty

### Indoor Unit - 40QAC / Outdoor Unit - 38HDR

(Unless otherwise indicated, data applies to both indoor and outdoor models)

<b>SYSTEM SIZE</b> .....	024
<b>REFRIGERANT</b> .....	R-410A
<b>PERFORMANCE</b>	
Nominal Capacity (Btuh) .....	24,000
SEER .....	13
Moisture Removal Rate(Pints/hr) .....	7.3
Airflow (Low/Med/High) .....	320 / 400 / 500
<b>SOUND PRESSURE (dBA)</b>	
Indoor (Low/Med/High) .....	43.7 / 46.2 / 47.4
Outdoor .....	57
<b>SOUND POWER (dBA)</b>	
Indoor (Low/Med/High) .....	54.7 / 57.2 / 58.4
Outdoor .....	68
<b>PERFORMANCE AT ACTUAL CONDITIONS:</b>	
Attached <input type="checkbox"/>	Not Attached <input type="checkbox"/>

<b>ELECTRICAL</b>	
System Voltage .....	208/230-1-60
MCA	
Indoor .....	0.63
Outdoor .....	16.8
MOCP	
Indoor .....	15
Outdoor .....	25
Fan Motor (Indoor) (FLA) .....	0.50
<b>CONTROLS</b>	
Control Remote .....	Wired
Control Voltage .....	24v
Control Wiring (0-75 ft.) .....	18 AWG
Control Wiring (75-200 ft.) .....	16 AWG
<b>REFRIGERANT LINES (Insulate vapor line)</b>	
Liquid Line (in.) OD .....	3/8
Vapor Line (in.) OD .....	5/8
Metering/Control Device .....	Accurater at indoor unit

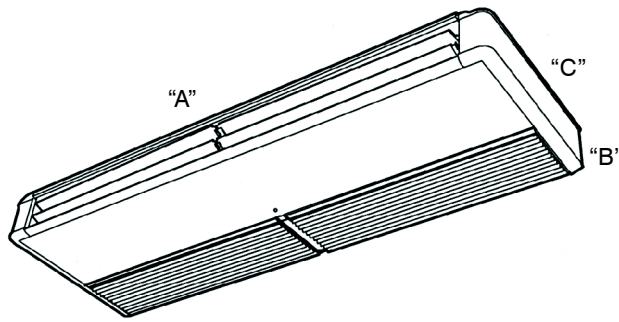
\* Refer to NEC and local codes for compliance requirements.

<b>Thermostat Slim Line 7-day Programmable:</b>	Required <input type="checkbox"/>	Not Required <input type="checkbox"/>
<b>Flat Stat 7-day Programmable:</b>	Required <input type="checkbox"/>	Not Required <input type="checkbox"/>
<b>Thermostat Super T2 5-1-1 Commercial:</b>	Required <input type="checkbox"/>	Not Required <input type="checkbox"/>
<b>Remote Room Sensor Kit:</b>	Required <input type="checkbox"/>	Not Required <input type="checkbox"/>
<b>Condensate Pump:</b>	Required <input type="checkbox"/>	Not Required <input type="checkbox"/>
<b>Fresh Air Intake Kit:</b>	Required <input type="checkbox"/>	Not Required <input type="checkbox"/>

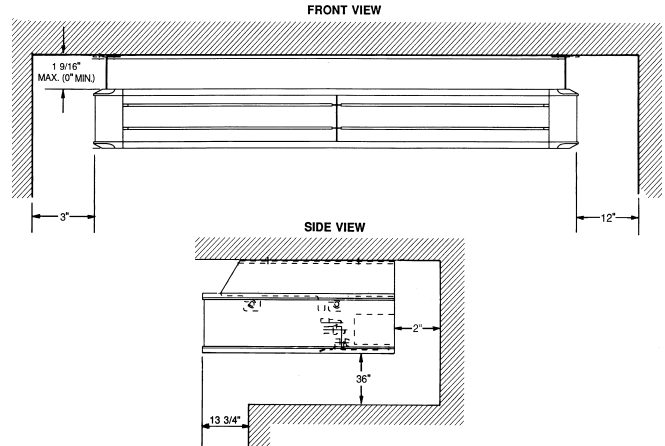
<b>Low Ambient Kit:</b>	Required <input type="checkbox"/>	Not Required <input type="checkbox"/>
<b>Winter Start Kit:</b>	Required <input type="checkbox"/>	Not Required <input type="checkbox"/>
<b>Crankcase Heater:</b>	Required <input type="checkbox"/>	Not Required <input type="checkbox"/>
<b>Wind Baffle:</b>	Required <input type="checkbox"/>	Not Required <input type="checkbox"/>
<b>Stacking Kit:</b>	Required <input type="checkbox"/>	Not Required <input type="checkbox"/>
<b>Wall Mounting Kit:</b>	Required <input type="checkbox"/>	Not Required <input type="checkbox"/>

**UNIT DIMENSIONS – INDOOR MODEL**

UNIT SIZE	INDOOR MODEL	WIDTH (IN.) A	HEIGHT (IN.) B	DEPTH (IN.) C	WEIGHT (LB)
24	40QAC024---3	50-15/16	9-15/16	23-1/8	108



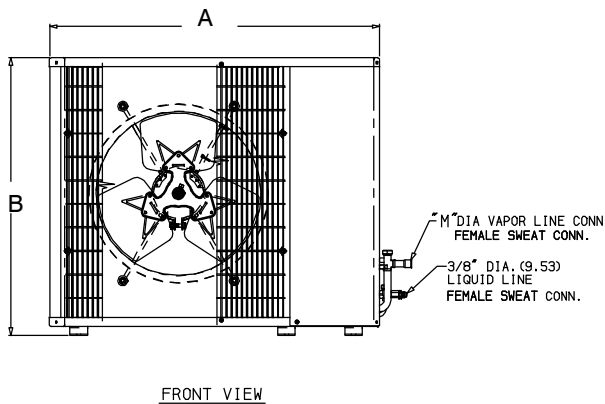
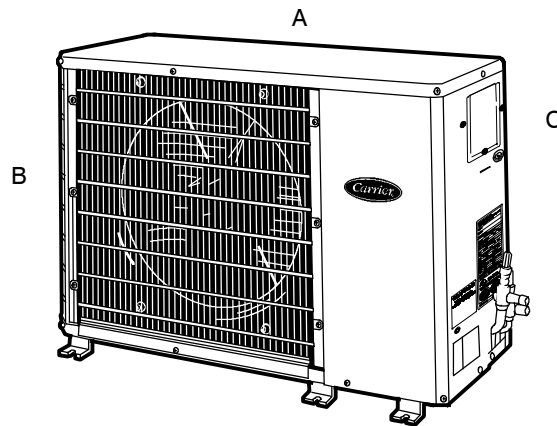
**Fig. 1 – 40QAC Dimensions**



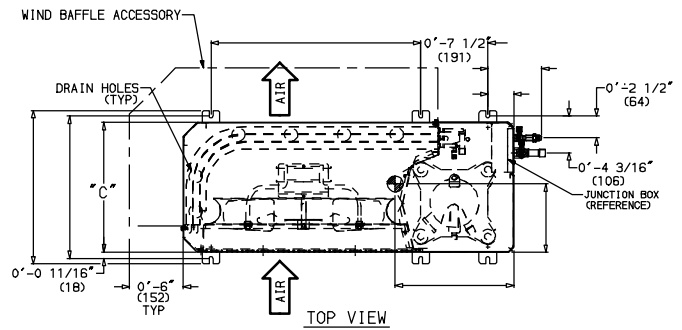
**Fig. 2 – 40QAC Clearance**

**UNIT DIMENSIONS – OUTDOOR MODEL**

UNIT SIZE	OUTDOOR MODEL	WIDTH (IN.) A	HEIGHT (IN.) B	DEPTH (IN.) C	WEIGHT (LB)
024	38HDR024---3	36-15/16	31-1/8	14-9/16	176



**FRONT VIEW**



**TOP VIEW**

**Fig. 3 – 38HDR DIMENSIONS**