

**40QAC036 with 38HDR036
13 SEER Underceiling System
Performance™ Series Cooling Only
with Puron® Refrigerant**



Turn to the Experts.™

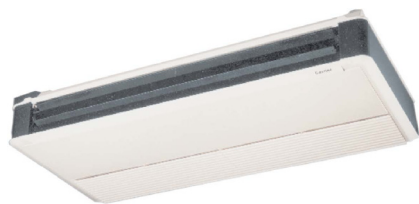
Submittal Data

Job Data: _____ Location: _____

Buyer: _____ Buyer P.O.# _____ Carrier # _____

Unit Number: _____ Model Number: _____

Performance Data Certified By: _____ Date: _____



40QAC



38HDR



FEATURES

- 13 SEER
- Available in 1-1/2, 2, 4 & 5 ton capacities
- Electric heat and auto changeover on heat pumps
- Electro-mechanical control allows ultimate flexibility
- Auto sweep standard
- Slide-in air filters
- Restart function after power failure-thermostat dependent
- Accessory fresh air intake available (30%)
- Mounting bracket standard
- Accessory condensate pump fits in unit
- Limited Warranty: 1-year parts / 5-year compressor

Indoor Unit - 40QAC / Outdoor Unit - 38HDR

(Unless otherwise indicated, data applies to both indoor and outdoor models)

SYSTEM SIZE	036
REFRIGERANT	R-410A
OPERATING WEIGHT (lb)	
Indoor	117
Outdoor	187
PERFORMANCE	
Nominal Capacity	
Indoor (Btuh)	29,000
Outdoor (Tons)	3.0
SEER	13
Moisture Removal Rate(Pints/hr)	6
Airflow (Low/Med/High)	640 / 740 / 840
ELECTRICAL	
Power Wires	14 AWG*
System Voltage	208/230-1; 208/230-3; 460-3 V

MCA	
Indoor	1.6
Outdoor (208/230-1 / 208/230-3 / 460-3)	19.1; 12.7; 7.8
MOCP	
Indoor	15
Outdoor (208/230-1 / 208/230-3 / 460-3)	30; 20; 15
Fan Motor (Indoor) (FLA)	1.30
CONTROLS	
Control Remote	Wired
Control Voltage	24v
Control Wiring (0-75 ft.)	18 AWG
Control Wiring (75-200 ft.)	16 AWG
REFRIGERANT LINES (Insulate vapor line)	
Liquid Line (in.) OD	3/8
Vapor Line (in.) OD	3/4
Metering/Control Device	Accurater at indoor unit

* Refer to NEC and local codes for compliance requirements.

Condensate Pump:	Standard <input type="checkbox"/>	Accessory <input type="checkbox"/>	Not Required <input type="checkbox"/>
Thermostat Slim Line 7-Day Programmable:	Standard <input type="checkbox"/>	Accessory <input type="checkbox"/>	Not Required <input type="checkbox"/>
Thermostat Flat Stat 7-Day Programmable:	Standard <input type="checkbox"/>	Accessory <input type="checkbox"/>	Not Required <input type="checkbox"/>
Thermostat Super T2 5-1-1 Commercial:	Standard <input type="checkbox"/>	Accessory <input type="checkbox"/>	Not Required <input type="checkbox"/>
Crankcase Heater:	Standard <input type="checkbox"/>	Accessory <input type="checkbox"/>	Not Required <input type="checkbox"/>

Low Ambient Kit:	Standard <input type="checkbox"/>	Accessory <input type="checkbox"/>	Not Required <input type="checkbox"/>
Winter Start Kit:	Standard <input type="checkbox"/>	Accessory <input type="checkbox"/>	Not Required <input type="checkbox"/>
Wind Baffle:	Standard <input type="checkbox"/>	Accessory <input type="checkbox"/>	Not Required <input type="checkbox"/>
Stacking Kit:	Standard <input type="checkbox"/>	Accessory <input type="checkbox"/>	Not Required <input type="checkbox"/>
Wall Mount Kit (outdoor):	Standard <input type="checkbox"/>	Accessory <input type="checkbox"/>	Not Required <input type="checkbox"/>
Fresh Air Intake Kit:	Standard <input type="checkbox"/>	Accessory <input type="checkbox"/>	Not Required <input type="checkbox"/>
Remote Room Sensor Kit:	Standard <input type="checkbox"/>	Accessory <input type="checkbox"/>	Not Required <input type="checkbox"/>

UNIT DIMENSIONS – INDOOR MODEL

UNIT SIZE	INDOOR MODEL	WIDTH (IN.) A	HEIGHT (IN.) B	DEPTH (IN.) C
36	40QAC036---3	59	10	23

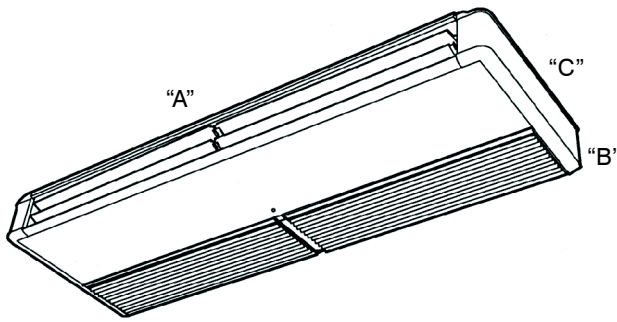


Fig. 1 – 40QAC Dimensions

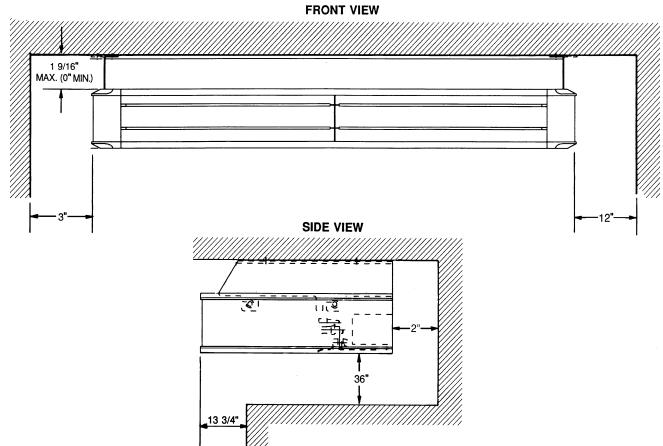


Fig. 2 – 40QAC Clearance

UNIT DIMENSIONS – OUTDOOR MODEL

UNIT SIZE	OUTDOOR MODEL	WIDTH (IN.) A	HEIGHT (IN.) B	DEPTH (IN.) C
036	38HDR036---3	45	37	17
036	38HDR036---5	45	37	17
036	38HDR036---6	45	37	17

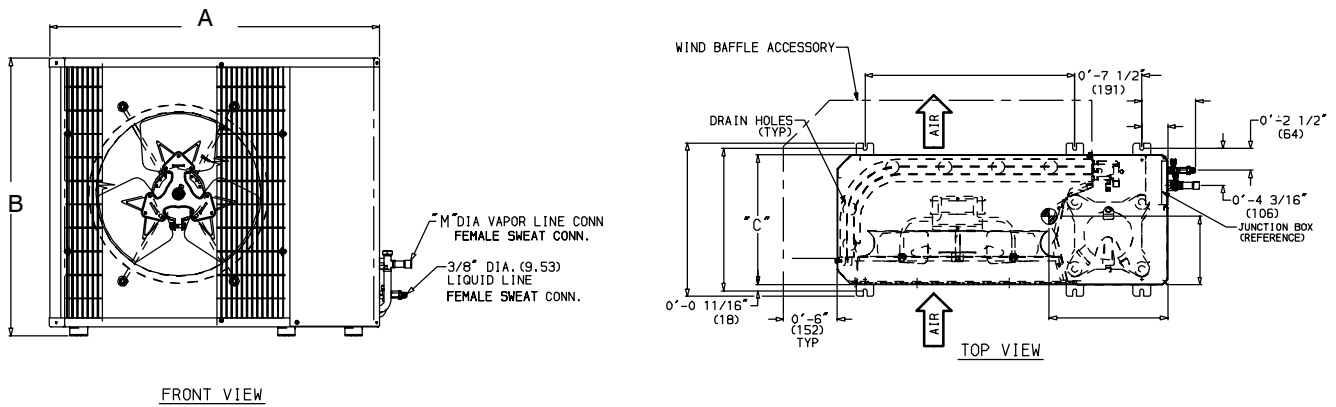
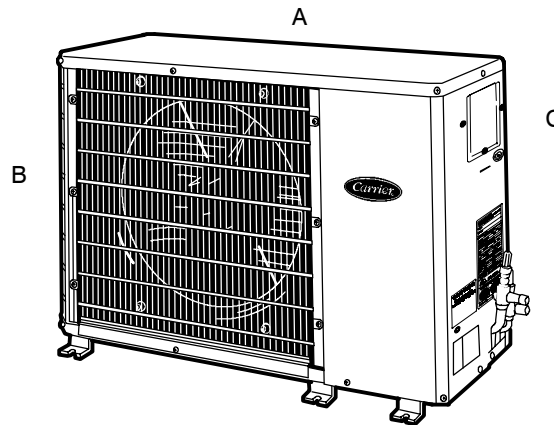


Fig. 3 – 38HDR DIMENSIONS