

**40QAC048 with 38HDR048
13 SEER Underceiling System
Performance™ Series Cooling Only
with Puron® Refrigerant**



Turn to the Experts.™

Submittal Data

Job Data: _____ Location: _____

Buyer: _____ Buyer P.O.# _____ Carrier # _____

Unit Number: _____ Model Number: _____

Performance Data Certified By: _____ Date: _____



40QAC



38HDR



FEATURES

- 13 SEER
- Electric heat and auto changeover on heat pumps
- Electro-mechanical control allows ultimate flexibility
- Auto sweep standard
- Slide-in air filters
- Restart function after power failure-thermostat dependent
- Accessory fresh air intake available (30%)
- Mounting bracket standard
- Accessory condensate pump fits in unit
- Limited Warranty: 1-year parts / 5-year compressor

Indoor Unit - 40QAC / Outdoor Unit - 38HDR

(Unless otherwise indicated, data applies to both indoor and outdoor models)

SYSTEM SIZE	048	MCA	
REFRIGERANT	R-410A	Indoor	2
OPERATING WEIGHT (lb)		Outdoor (208/230-1 / 208/230-3 / 460-3)	28.7; 18.6; 8.6
Indoor	149	MOCP	
Outdoor	278	Indoor	15
PERFORMANCE		Outdoor (208/230-1 / 208/230-3 / 460-3)	50; 30; 15
Nominal Capacity		Fan Motor (Indoor) (FLA)	1.6
Indoor (Btuh)	46,000	CONTROLS	
Outdoor (Tons)	4.0	Control Remote	Wired
SEER	13	Control Voltage	24v
Moisture Removal Rate(Pints/hr)	13.0	Control Wiring (0-75 ft.)	18 AWG
Airflow (Low/Med/High)	1100 / 1160 / 1200	Control Wiring (75-200 ft.)	16 AWG
ELECTRICAL		REFRIGERANT LINES (Insulate vapor line)	
Power Wires	14 AWG*	Liquid Line (in.) OD	3/8
System Voltage	208/230-1; 208/230-3; 460-3 V	Vapor Line (in.) OD	7/8
		Metering/Control Device	Piston at indoor unit

* Refer to NEC and local codes for compliance requirements.

Condensate Pump:	Standard <input type="checkbox"/>	Accessory <input type="checkbox"/>	Not Required <input type="checkbox"/>
Thermostat Slim Line 7-Day Programmable:	Standard <input type="checkbox"/>	Accessory <input type="checkbox"/>	Not Required <input type="checkbox"/>
Thermostat Flat Stat 7-Day Programmable:	Standard <input type="checkbox"/>	Accessory <input type="checkbox"/>	Not Required <input type="checkbox"/>
Thermostat Super T2 5-1-1 Commercial:	Standard <input type="checkbox"/>	Accessory <input type="checkbox"/>	Not Required <input type="checkbox"/>
Crankcase Heater:	Standard <input type="checkbox"/>	Accessory <input type="checkbox"/>	Not Required <input type="checkbox"/>

Low Ambient Kit:	Standard <input type="checkbox"/>	Accessory <input type="checkbox"/>	Not Required <input type="checkbox"/>
Winter Start Kit:	Standard <input type="checkbox"/>	Accessory <input type="checkbox"/>	Not Required <input type="checkbox"/>
Wind Baffle:	Standard <input type="checkbox"/>	Accessory <input type="checkbox"/>	Not Required <input type="checkbox"/>
Stacking Kit:	Standard <input type="checkbox"/>	Accessory <input type="checkbox"/>	Not Required <input type="checkbox"/>
Wall Mount Kit (outdoor):	Standard <input type="checkbox"/>	Accessory <input type="checkbox"/>	Not Required <input type="checkbox"/>
Fresh Air Intake Kit:	Standard <input type="checkbox"/>	Accessory <input type="checkbox"/>	Not Required <input type="checkbox"/>
Remote Room Sensor Kit:	Standard <input type="checkbox"/>	Accessory <input type="checkbox"/>	Not Required <input type="checkbox"/>

UNIT DIMENSIONS – INDOOR MODEL

UNIT SIZE	INDOOR MODEL	WIDTH (IN.) A	HEIGHT (IN.) B	DEPTH (IN.) C
48	40QAC048---3	72	10	23

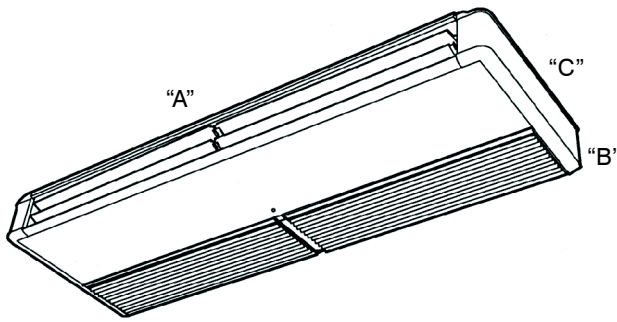


Fig. 1 – 40QAC Dimensions

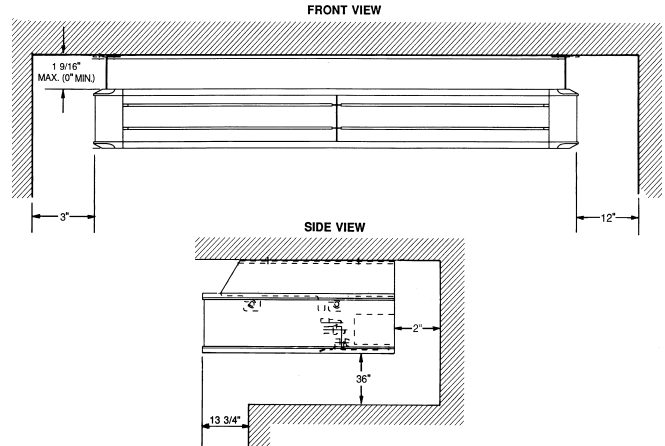


Fig. 2 – 40QAC Clearance

UNIT DIMENSIONS – OUTDOOR MODEL

UNIT SIZE	OUTDOOR MODEL	WIDTH (IN.) A	HEIGHT (IN.) B	DEPTH (IN.) C
048	38HDR048---3	45	43	17
048	38HDR048---5	45	43	17
048	38HDR048---6	45	43	17

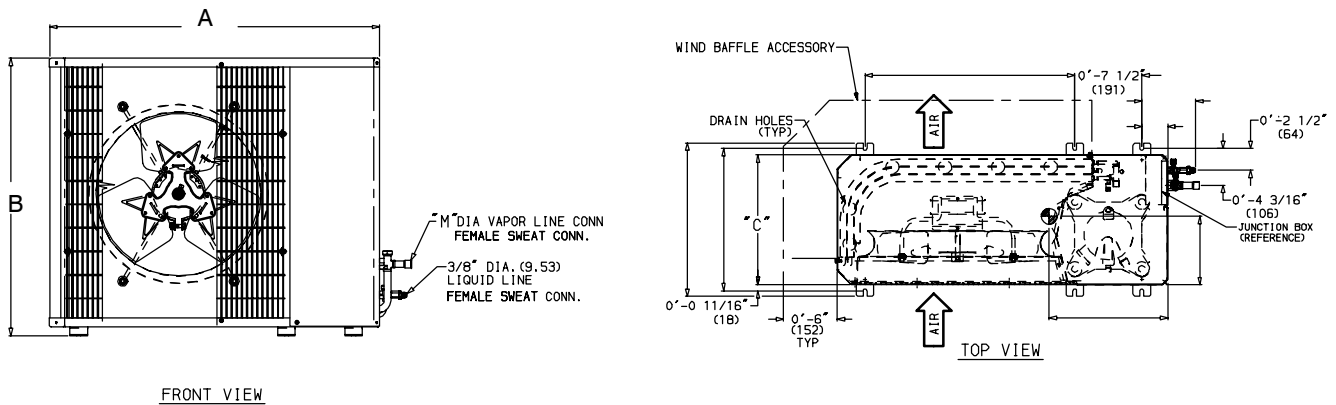
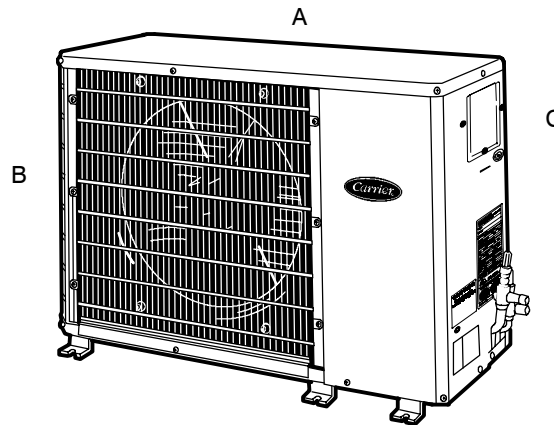


Fig. 3 – 38HDR DIMENSIONS