

**40QAC060 with 38HDR060  
13 SEER Underceiling System  
Performance™ Series Cooling Only  
with Puron® Refrigerant**



Turn to the Experts.™

# Submittal Data

Job Data: \_\_\_\_\_ Location: \_\_\_\_\_

Buyer: \_\_\_\_\_ Buyer P.O.# \_\_\_\_\_ Carrier # \_\_\_\_\_

Unit Number: \_\_\_\_\_ Model Number: \_\_\_\_\_

Performance Data Certified By: \_\_\_\_\_ Date: \_\_\_\_\_



40QAC



38HDR



## FEATURES

- 13 SEER
- Available in 1-1/2, 2, 4 & 5 ton capacities
- Electric heat and auto changeover on heat pumps
- Electro-mechanical control allows ultimate flexibility
- Auto sweep standard
- Slide-in air filters
- Restart function after power failure-thermostat dependent
- Accessory fresh air intake available (30%)
- Mounting bracket standard
- Accessory condensate pump fits in unit
- Limited Warranty: 1-year parts / 5-year compressor

### Indoor Unit - 40QAC / Outdoor Unit - 38HDR

(Unless otherwise indicated, data applies to both indoor and outdoor models)

<b>SYSTEM SIZE</b> .....	060	<b>MCA</b>	
<b>REFRIGERANT</b> .....	R-410A	Indoor .....	3.3
<b>OPERATING WEIGHT (lb)</b>		Outdoor (208/230-1 / 208/230-3 / 460-3) .....	34.5; 21.5; 10.6
Indoor .....	179	<b>MOCP</b>	
Outdoor .....	306	Indoor .....	15
<b>PERFORMANCE</b>		Outdoor (208/230-1 / 208/230-3 / 460-3) .....	60; 35; 15
Nominal Capacity		Fan Motor (Indoor) (FLA) .....	2.6
Indoor (Btuh) .....	57,000	<b>CONTROLS</b>	
Outdoor (Tons) .....	5.0	Control Remote (Standard) .....	Wired
SEER .....	13	Control Voltage .....	24v
Moisture Removal Rate(Pints/hr) .....	14.5	Control Wiring (0-75 ft.) .....	18 AWG
Airflow (Low/Med/High) .....	1040 / 1220 / 1600	Control Wiring (75-200 ft.) .....	16 AWG
<b>ELECTRICAL</b>		<b>REFRIGERANT LINES (Insulate vapor line)</b>	
Power Wires .....	14 AWG*	Liquid Line (in.) OD .....	3/8
System Voltage .....	208/230-1; 208/230-3; 460-3 V	Vapor Line (in.) OD .....	7/8
		Metering/Control Device .....	Accurater at indoor unit

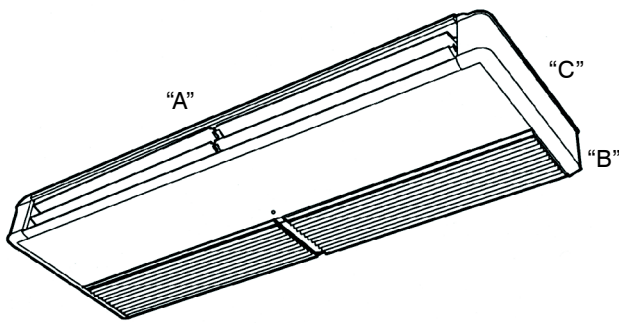
\* Refer to NEC and local codes for compliance requirements.

<b>Condensate Pump:</b>	Standard <input type="checkbox"/>	Accessory <input type="checkbox"/>	Not Required <input type="checkbox"/>
<b>Thermostat Slim Line 7-Day Programmable:</b>	Standard <input type="checkbox"/>	Accessory <input type="checkbox"/>	Not Required <input type="checkbox"/>
<b>Thermostat Flat Stat 7-Day Programmable:</b>	Standard <input type="checkbox"/>	Accessory <input type="checkbox"/>	Not Required <input type="checkbox"/>
<b>Thermostat Super T2 5-1-1 Commercial:</b>	Standard <input type="checkbox"/>	Accessory <input type="checkbox"/>	Not Required <input type="checkbox"/>
<b>Crankcase Heater:</b>	Standard <input type="checkbox"/>	Accessory <input type="checkbox"/>	Not Required <input type="checkbox"/>

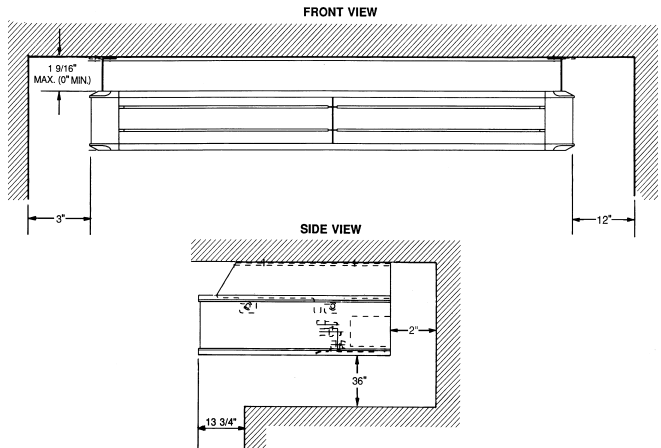
<b>Low Ambient Kit:</b>	Standard <input type="checkbox"/>	Accessory <input type="checkbox"/>	Not Required <input type="checkbox"/>
<b>Winter Start Kit:</b>	Standard <input type="checkbox"/>	Accessory <input type="checkbox"/>	Not Required <input type="checkbox"/>
<b>Wind Baffle:</b>	Standard <input type="checkbox"/>	Accessory <input type="checkbox"/>	Not Required <input type="checkbox"/>
<b>Stacking Kit:</b>	Standard <input type="checkbox"/>	Accessory <input type="checkbox"/>	Not Required <input type="checkbox"/>
<b>Wall Mount Kit (outdoor):</b>	Standard <input type="checkbox"/>	Accessory <input type="checkbox"/>	Not Required <input type="checkbox"/>
<b>Fresh Air Intake Kit:</b>	Standard <input type="checkbox"/>	Accessory <input type="checkbox"/>	Not Required <input type="checkbox"/>
<b>Remote Room Sensor Kit:</b>	Standard <input type="checkbox"/>	Accessory <input type="checkbox"/>	Not Required <input type="checkbox"/>

**UNIT DIMENSIONS – INDOOR MODEL**

UNIT SIZE	INDOOR MODEL	WIDTH (IN.) A	HEIGHT (IN.) B	DEPTH (IN.) C
48	40QAC060---3	92	10	23



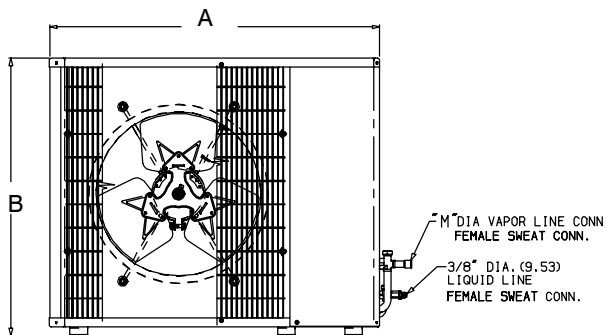
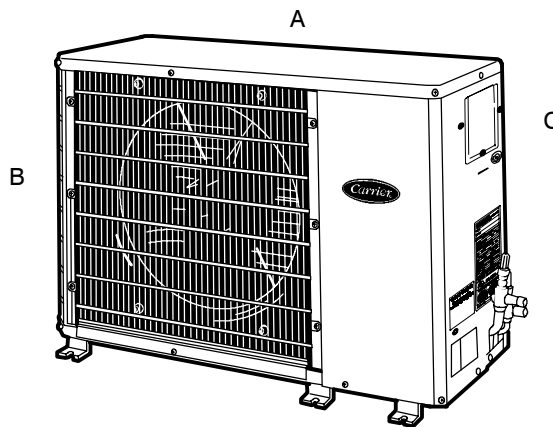
**Fig. 1 – 40QAC Dimensions**



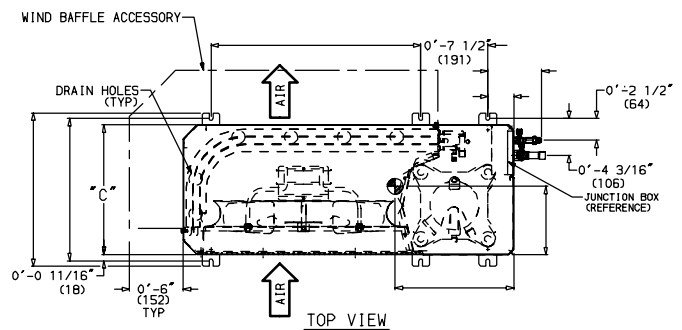
**Fig. 2 – 40QAC Clearance**

**UNIT DIMENSIONS – OUTDOOR MODEL**

UNIT SIZE	OUTDOOR MODEL	WIDTH (IN.) A	HEIGHT (IN.) B	DEPTH (IN.) C
060	38HDR060---3	45	43	17
060	38HDR060---5	45	43	17
060	38HDR060---6	45	43	17



**FRONT VIEW**



**Fig. 3 – 38HDR DIMENSIONS**