

**40QAQ036 with 38HDR030  
13 SEER Underceiling System  
Performance™ Series Heat / Cool  
with Puron® Refrigerant**



Turn to the Experts.™

# Submittal Data

Job Data: \_\_\_\_\_ Location: \_\_\_\_\_

Buyer: \_\_\_\_\_ Buyer P.O.# \_\_\_\_\_ Carrier # \_\_\_\_\_

Unit Number: \_\_\_\_\_ Model Number: \_\_\_\_\_

Performance Data Certified By: \_\_\_\_\_ Date: \_\_\_\_\_



40QAQ



38HDR



## FEATURES

- 13 SEER / 7.7 HSPF
- Available in 1-1/2, 2, 4 & 5 ton capacities
- Electric heat and auto changeover on heat pumps
- Electro-mechanical control allows ultimate flexibility
- Auto sweep standard
- Slide-in air filters
- Restart function after power failure-thermostat dependent
- Accessory fresh air intake available (30%)
- Mounting bracket standard
- Accessory condensate pump fits in unit
- Limited Warranty: 1-year parts / 5-year compressor

### Indoor Unit - 40QAQ / Outdoor Unit - 38HDR

(Unless otherwise indicated, data applies to both indoor and outdoor models)

<b>SYSTEM SIZE</b> .....	030
<b>REFRIGERANT</b> .....	R-410A
<b>OPERATING WEIGHT (lb)</b>	
Indoor .....	119
Outdoor .....	187
<b>PERFORMANCE</b>	
Cooling Nominal Capacity (Btuh) .....	28,000
Heating Nominal Capacity (Btuh) .....	28,800
Nominal Cooling Capacity w/Heat (Btuh) .....	29,000
Outdoor (Tons) .....	2.5
SEER .....	13
HSPF .....	7.7
Moisture Removal Rate (Pints/hr) .....	6
Airflow (Low/Med/High) .....	640 / 740 / 840

<b>ELECTRICAL</b>	
Power Wires .....	14 AWG*
System Voltage .....	208/230-1-60
MCA	
Indoor .....	17.7
Outdoor .....	19.1
MOCP	
Indoor .....	20
Outdoor .....	30
Fan Motor (Indoor) (FLA) .....	1.30
<b>CONTROLS</b>	
Control Remote .....	Wired
Control Voltage .....	24v
Control Wiring (0-75 ft.) .....	18 AWG
Control Wiring (75-200 ft.) .....	16 AWG
<b>REFRIGERANT LINES (Insulate vapor line)</b>	
Liquid Line (in.) OD .....	3/8
Vapor Line (in.) OD .....	5/8
Metering/Control Device .....	Accurater at outdoor unit

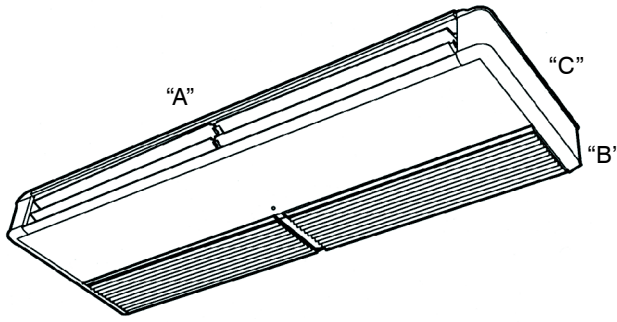
\* Refer to NEC and local codes for compliance requirements.

<b>Condensate Pump:</b>	Standard <input type="checkbox"/>	Accessory <input type="checkbox"/>	Not Required <input type="checkbox"/>
<b>Remote Control:</b>	Standard <input type="checkbox"/>	Accessory <input type="checkbox"/>	Not Required <input type="checkbox"/>
<b>Wired Control:</b>	Standard <input type="checkbox"/>	Accessory <input type="checkbox"/>	Not Required <input type="checkbox"/>
<b>Crankcase Heater:</b>	Standard <input type="checkbox"/>	Accessory <input type="checkbox"/>	Not Required <input type="checkbox"/>
<b>Low Ambient Kit:</b>	Standard <input type="checkbox"/>	Accessory <input type="checkbox"/>	Not Required <input type="checkbox"/>
<b>Winter Start Kit:</b>	Standard <input type="checkbox"/>	Accessory <input type="checkbox"/>	Not Required <input type="checkbox"/>

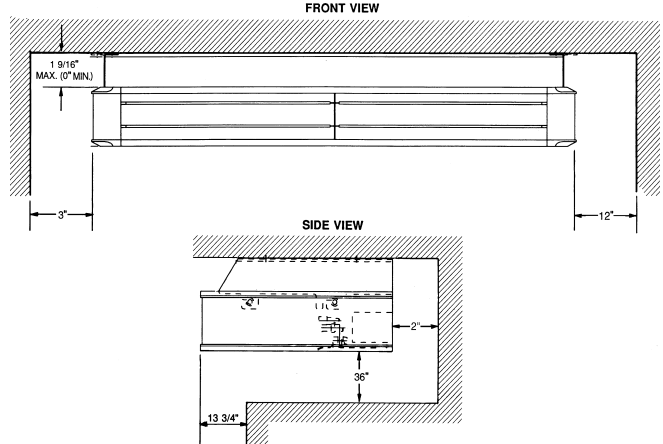
<b>Wind Baffle:</b>	Standard <input type="checkbox"/>	Accessory <input type="checkbox"/>	Not Required <input type="checkbox"/>
<b>Isolation Relay:</b>	Standard <input type="checkbox"/>	Accessory <input type="checkbox"/>	Not Required <input type="checkbox"/>
<b>Stacking Kit:</b>	Standard <input type="checkbox"/>	Accessory <input type="checkbox"/>	Not Required <input type="checkbox"/>
<b>Fresh Air Intake Kit:</b>	Standard <input type="checkbox"/>	Accessory <input type="checkbox"/>	Not Required <input type="checkbox"/>
<b>Grille (in-ceiling cassette):</b>	Standard <input type="checkbox"/>	Accessory <input type="checkbox"/>	Not Required <input type="checkbox"/>
<b>Hard Start Kit:</b>	Standard <input type="checkbox"/>	Accessory <input type="checkbox"/>	Not Required <input type="checkbox"/>

**UNIT DIMENSIONS – INDOOR MODEL**

UNIT SIZE	INDOOR MODEL	WIDTH (IN.) A	HEIGHT (IN.) B	DEPTH (IN.) C
36	40QAQ036---3	59	10	23



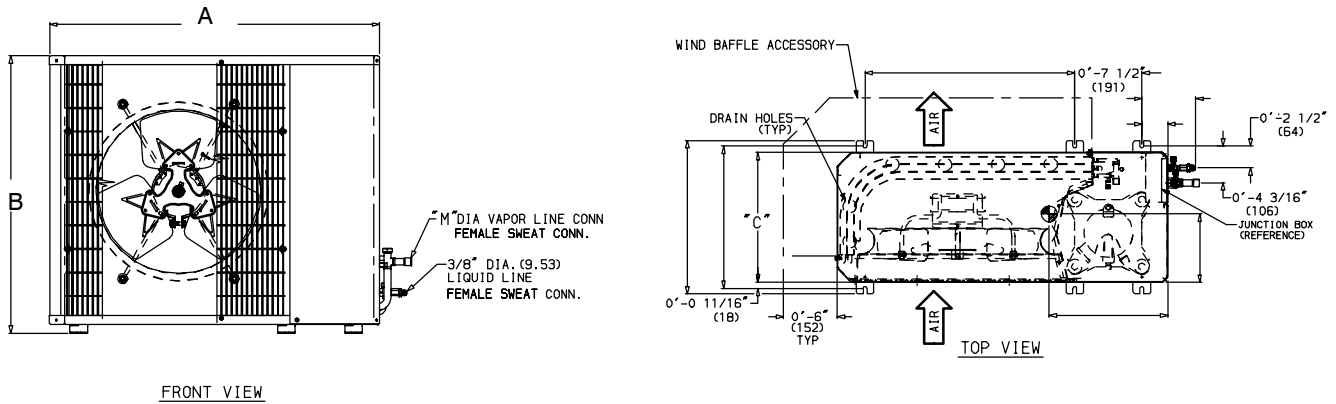
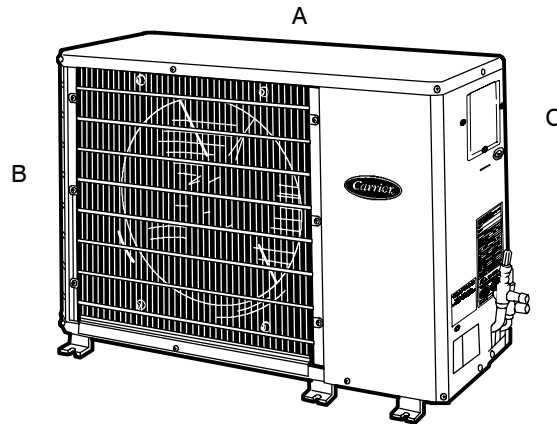
**Fig. 1 – 40QAQ Dimensions**



**Fig. 2 – 40QAQ Clearance**

**UNIT DIMENSIONS – OUTDOOR MODEL**

UNIT SIZE	OUTDOOR MODEL	WIDTH (IN.) A	HEIGHT (IN.) B	DEPTH (IN.) C
030	38HDR030---3	37	25	15



**Fig. 3 – 38HDR DIMENSIONS**