

**40QAQ036 with 38QRR030
13 SEER Underceiling System
Performance™ Series Heat Pump
with Puron® Refrigerant**



Turn to the Experts.™

Submittal Data

Job Data: _____ Location: _____

Buyer: _____ Buyer P.O.# _____ Carrier # _____

Unit Number: _____ Model Number: _____

Performance Data Certified By: _____ Date: _____



40QAQ



38QRR



FEATURES

- 13 SEER / 7.7 HSPF
- Available in 1-1/2, 2, 4 & 5 ton capacities
- Electric heat and auto changeover on heat pumps
- Electro-mechanical control allows ultimate flexibility
- Auto sweep standard
- Slide-in air filters
- Restart function after power failure-thermostat dependent
- Accessory fresh air intake available (30%)
- Mounting bracket standard
- Accessory condensate pump fits in unit
- Limited Warranty: 1-year parts / 5-year compressor

Indoor Unit - 40QAQ / Outdoor Unit - 38QRR

(Unless otherwise indicated, data applies to both indoor and outdoor models)

SYSTEM SIZE	030
REFRIGERANT	R-410A
OPERATING WEIGHT (lb)	
Indoor	119
Outdoor	187
PERFORMANCE	
Cooling Nominal Capacity (Btuh)	28,000
Heating Nominal Capacity (Btuh)	28,800
Nominal Cooling Capacity w/Heat (Btuh)	29,000
Outdoor (Tons)	2.5
SEER	13
HSPF	7.7
Moisture Removal Rate (Pints/hr)	6
Airflow (Low/Med/High)	640 / 740 / 840

ELECTRICAL	
Power Wires	14 AWG*
System Voltage	208/230-1-60
MCA	
Indoor	17.7
Outdoor	17.5
MOCP	
Indoor	20
Outdoor	30
Fan Motor (Indoor) (FLA)	1.30
CONTROLS	
Control Remote	Wired
Control Voltage	24v
Control Wiring (0-75 ft.)	18 AWG
Control Wiring (75-200 ft.)	16 AWG
REFRIGERANT LINES (Insulate vapor line)	
Liquid Line (in.) OD	3/8
Vapor Line (in.) OD	3/4
Metering/Control Device	Accurater at indoor unit

* Refer to NEC and local codes for compliance requirements.

Condensate Pump:	Standard <input type="checkbox"/>	Accessory <input type="checkbox"/>	Not Required <input type="checkbox"/>
Remote Control:	Standard <input type="checkbox"/>	Accessory <input type="checkbox"/>	Not Required <input type="checkbox"/>
Wired Control:	Standard <input type="checkbox"/>	Accessory <input type="checkbox"/>	Not Required <input type="checkbox"/>
Crankcase Heater:	Standard <input type="checkbox"/>	Accessory <input type="checkbox"/>	Not Required <input type="checkbox"/>
Low Ambient Kit:	Standard <input type="checkbox"/>	Accessory <input type="checkbox"/>	Not Required <input type="checkbox"/>
Winter Start Kit:	Standard <input type="checkbox"/>	Accessory <input type="checkbox"/>	Not Required <input type="checkbox"/>

Wind Baffle:	Standard <input type="checkbox"/>	Accessory <input type="checkbox"/>	Not Required <input type="checkbox"/>
Isolation Relay:	Standard <input type="checkbox"/>	Accessory <input type="checkbox"/>	Not Required <input type="checkbox"/>
Stacking Kit:	Standard <input type="checkbox"/>	Accessory <input type="checkbox"/>	Not Required <input type="checkbox"/>
Fresh Air Intake Kit:	Standard <input type="checkbox"/>	Accessory <input type="checkbox"/>	Not Required <input type="checkbox"/>
Grille (in-ceiling cassette):	Standard <input type="checkbox"/>	Accessory <input type="checkbox"/>	Not Required <input type="checkbox"/>
Hard Start Kit:	Standard <input type="checkbox"/>	Accessory <input type="checkbox"/>	Not Required <input type="checkbox"/>

UNIT DIMENSIONS – INDOOR MODEL

UNIT SIZE	INDOOR MODEL	WIDTH (IN.) A	HEIGHT (IN.) B	DEPTH (IN.) C
36	40QAQ036---3	59	10	23

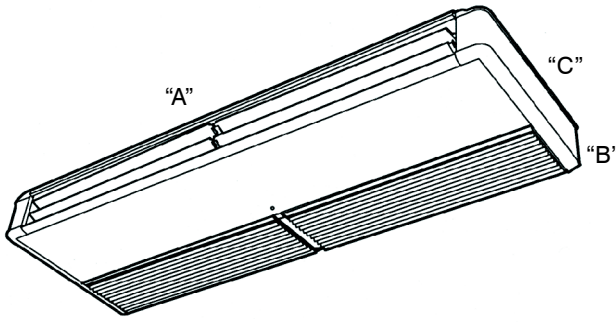


Fig. 1 – 40QAQ Dimensions

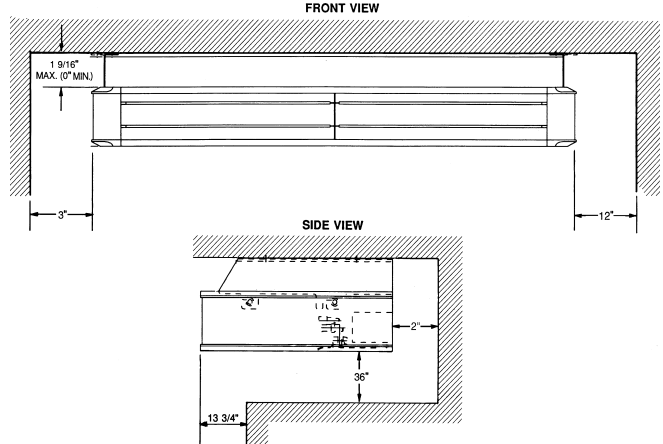
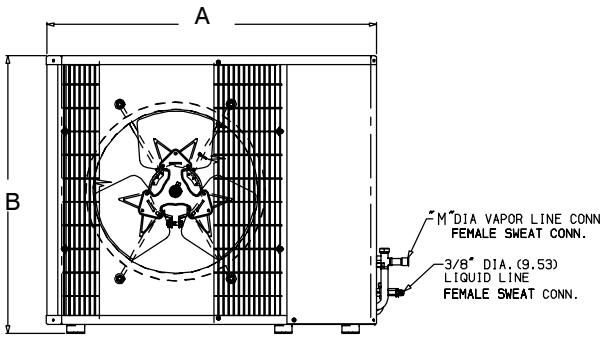
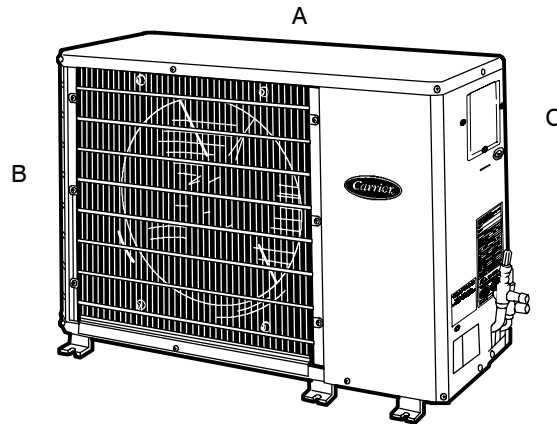


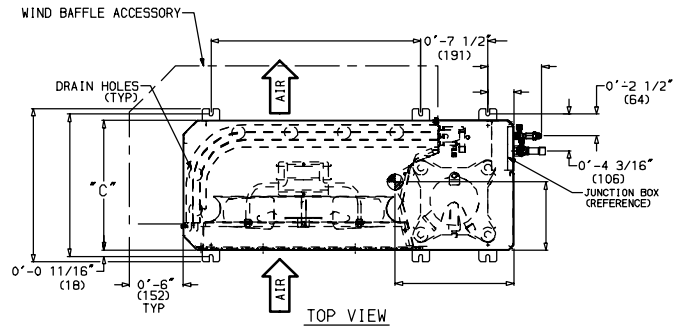
Fig. 2 – 40QAQ Clearance

UNIT DIMENSIONS – OUTDOOR MODEL

UNIT SIZE	OUTDOOR MODEL	WIDTH (IN.) A	HEIGHT (IN.) B	DEPTH (IN.) C
030	38QRR030---3	45	37	17



FRONT VIEW



TOP VIEW

Fig. 3 – 38QRR DIMENSIONS