

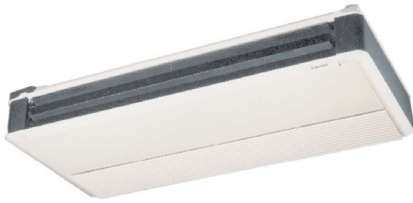
**40QAQ048 with 38QRR048
13 SEER Underceiling System
Performance™ Series Heat Pump
with Puron® Refrigerant**



Turn to the Experts.™

Submittal Data

Job Data: _____ Location: _____
 Buyer: _____ Buyer P.O.# _____ Carrier # _____
 Unit Number: _____ Model Number: _____
 Performance Data Certified By: _____ Date: _____



40QAQ



38QRR



FEATURES

- 13 SEER / 7.7 HSPF
- Available in 1-1/2, 2, 4 & 5 ton capacities
- Electric heat and auto changeover on heat pumps
- Electro-mechanical control allows ultimate flexibility
- Auto sweep standard
- Slide-in air filters
- Restart function after power failure-thermostat dependent
- Accessory fresh air intake available (30%)
- Mounting bracket standard
- Accessory condensate pump fits in unit
- Limited Warranty: 1-year parts / 5-year compressor

Indoor Unit - 40QAQ / Outdoor Unit - 38QRR

(Unless otherwise indicated, data applies to both indoor and outdoor models)

| | |
|--|------------------|
| SYSTEM SIZE | 048 |
| REFRIGERANT | R-410A |
| OPERATING WEIGHT (lb) | |
| Indoor | 151 |
| Outdoor | 278 |
| PERFORMANCE | |
| Cooling Nominal Capacity (Btuh) | 45,000 |
| Heating Nominal Capacity (Btuh) | 45,000 |
| Nominal Cooling Capacity w/Heat (Btuh) | 46,000 |
| Outdoor (Tons) | 4.0 |
| SEER | 13 |
| HSPF | 7.7 |
| Moisture Removal Rate(Pints/hr) | 13.0 |
| Airflow (Low/Med/High) | 820 / 975 / 1130 |

| | |
|--|-------------------------------|
| ELECTRICAL | |
| Power Wires | 14 AWG* |
| System Voltage | 208/230-1; 208/230-3; 460-3 V |
| MCA | |
| Indoor | 23.8 |
| Outdoor (208/230-1; 208/230-3; 460-3) | 28.7; 18.6; 8.6 |
| MOCP | |
| Indoor | 25 |
| Outdoor (208/230-1; 208/230-3; 460-3) | 50; 30; 15 |
| Fan Motor (Indoor) (FLA) | 1.5 |
| CONTROLS | |
| Control Remote | Wired |
| Control Voltage | 24v |
| Control Wiring (0-75 ft.) | 18 AWG |
| Control Wiring (75-200 ft.) | 16 AWG |
| REFRIGERANT LINES (Insulate vapor line) | |
| Liquid Line (in.) OD | 3/8 |
| Vapor Line (in.) OD | 7/8 |
| Metering/Control Device | Accurater at indoor unit |

* Refer to NEC and local codes for compliance requirements.

| | | | |
|--------------------------------|-----------------------------------|------------------------------------|---------------------------------------|
| Condensate Pump: | Standard <input type="checkbox"/> | Accessory <input type="checkbox"/> | Not Required <input type="checkbox"/> |
| Remote Room Sensor Kit: | Standard <input type="checkbox"/> | Accessory <input type="checkbox"/> | Not Required <input type="checkbox"/> |
| Thermostat - | | | |
| Slimline 7-Day Prog.: | Standard <input type="checkbox"/> | Accessory <input type="checkbox"/> | Not Required <input type="checkbox"/> |
| Flat Stat 7-Day Prog.: | Standard <input type="checkbox"/> | Accessory <input type="checkbox"/> | Not Required <input type="checkbox"/> |
| Crankcase Heater: | Standard <input type="checkbox"/> | Accessory <input type="checkbox"/> | Not Required <input type="checkbox"/> |
| Low Ambient Kit: | Standard <input type="checkbox"/> | Accessory <input type="checkbox"/> | Not Required <input type="checkbox"/> |

| | | | |
|--------------------------------------|-----------------------------------|------------------------------------|---------------------------------------|
| Winter Start Kit: | Standard <input type="checkbox"/> | Accessory <input type="checkbox"/> | Not Required <input type="checkbox"/> |
| Wind Baffle: | Standard <input type="checkbox"/> | Accessory <input type="checkbox"/> | Not Required <input type="checkbox"/> |
| Isolation Relay: | Standard <input type="checkbox"/> | Accessory <input type="checkbox"/> | Not Required <input type="checkbox"/> |
| Stacking Kit: | Standard <input type="checkbox"/> | Accessory <input type="checkbox"/> | Not Required <input type="checkbox"/> |
| Fresh Air Intake Kit: | Standard <input type="checkbox"/> | Accessory <input type="checkbox"/> | Not Required <input type="checkbox"/> |
| Grille (in-ceiling cassette): | Standard <input type="checkbox"/> | Accessory <input type="checkbox"/> | Not Required <input type="checkbox"/> |
| Hard Start Kit: | Standard <input type="checkbox"/> | Accessory <input type="checkbox"/> | Not Required <input type="checkbox"/> |

UNIT DIMENSIONS – INDOOR MODEL

| UNIT SIZE | INDOOR MODEL | WIDTH (IN.) A | HEIGHT (IN.) B | DEPTH (IN.) C |
|-----------|--------------|------------------|-------------------|------------------|
| 48 | 40QAQ048---3 | 72 | 10 | 23 |

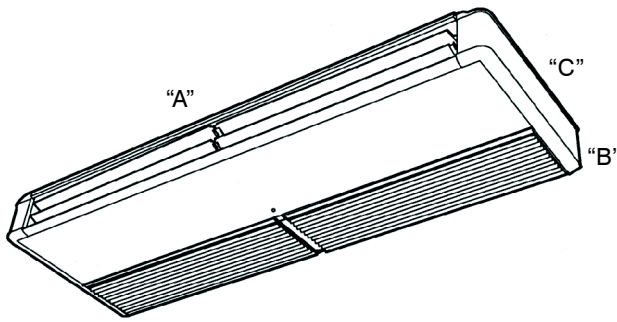


Fig. 1 – 40QAQ Dimensions

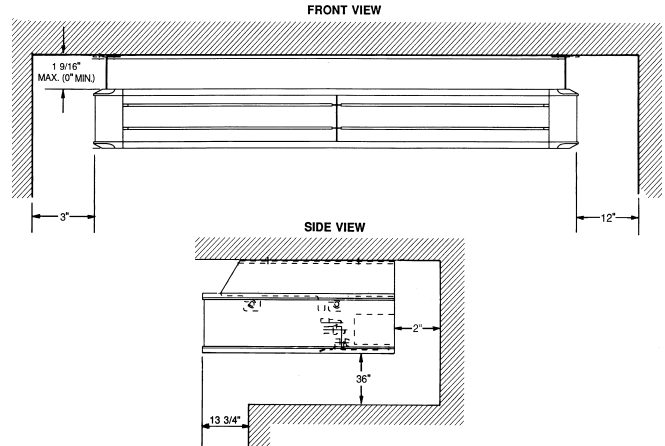


Fig. 2 – 40QAQ Clearance

UNIT DIMENSIONS – OUTDOOR MODEL

| UNIT SIZE | OUTDOOR MODEL | WIDTH (IN.) A | HEIGHT (IN.) B | DEPTH (IN.) C |
|-----------|---------------|------------------|-------------------|------------------|
| 048 | 38QRR048---3 | 45 | 43 | 17 |
| 048 | 38QRR048---5 | 45 | 43 | 17 |
| 048 | 38QRR048---6 | 45 | 43 | 17 |

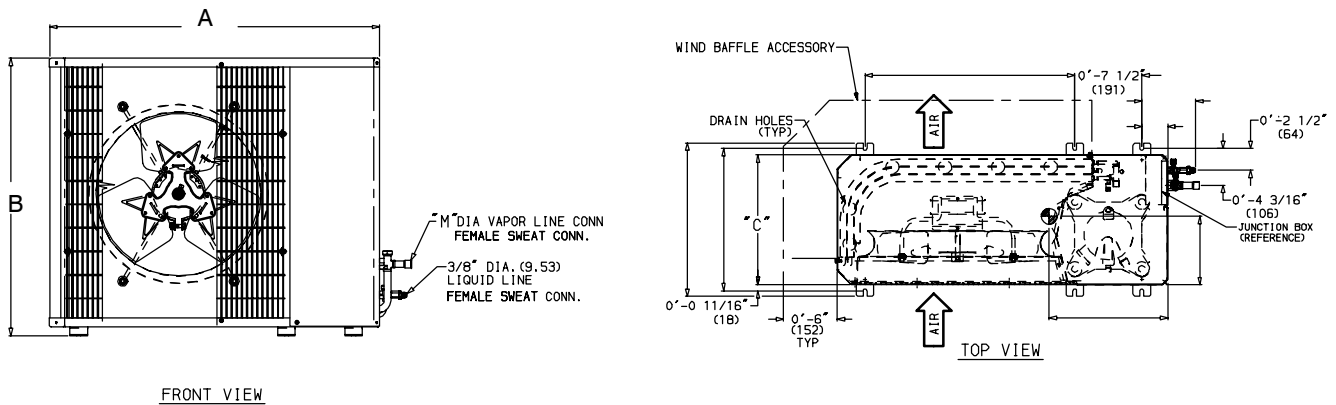
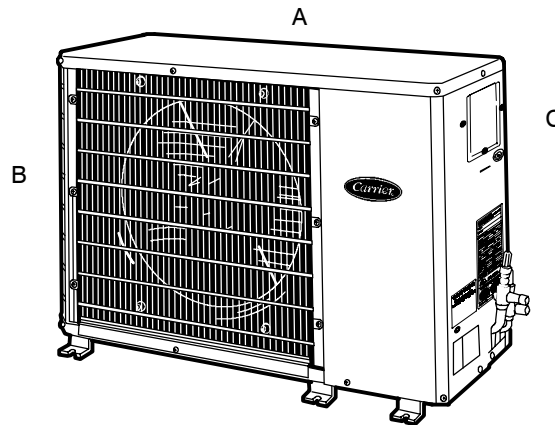


Fig. 3 – 38QRR DIMENSIONS