

**40QAQ048 with 38QRR048
13 SEER Underceiling System
Performance™ Series Heat Pump
with Puron® Refrigerant**



Turn to the Experts.™

Submittal Data

Job Data: _____ Location: _____

Buyer: _____ Buyer P.O.# _____ Carrier # _____

Unit Number: _____ Model Number: _____

Performance Data Certified By: _____ Date: _____



40QAQ



38QRR



FEATURES

- Mounting bracket
- Electro mechanical controls
- Built-in electric heat
- Auto restart after power failure
- User selectable fan speeds plus auto
- Cleanable filters
- Motorized louvers
- Accessory wired user interfaces
- Capable of connecting to an Energy Management system
- Up to 200 ft (61 m) total piping (accessories required)
- Accessory fresh air intake kit
- Low ambient operation down to -20°F (28.9°C) w/accessory
- Accessory condensate pump
- Power ventilation accessory
- Limited Warranty: 1-year parts / 5-year compressor
- Optional extended parts and labor warranty

Indoor Unit - 40QAQ / Outdoor Unit - 38QRR

(Unless otherwise indicated, data applies to both indoor and outdoor models)

SYSTEM SIZE	048
REFRIGERANT	R-410A
PERFORMANCE	
Cooling Nominal Capacity (Btuh)	48,000
Heating Nominal Capacity (Btuh)	48,000
SEER	13
HSPF	7.7
Moisture Removal Rate(Pints/hr)	13.0
Airflow (Low/Med/High)	820 / 975 / 1130
SOUND PRESSURE (dBA)	
Indoor (Low/Med/High)	NA / 55.3 / 56.3
Outdoor	60
SOUND POWER (dBA)	
Indoor (Low/Med/High)	NA / 66.3 / 67.3
Outdoor	71
PERFORMANCE AT ACTUAL CONDITIONS:	
Attached <input type="checkbox"/>	Not Attached <input type="checkbox"/>

ELECTRICAL

System Voltage	208/230-1; 208/230-3; 460-3 V
MCA	
Indoor	23.8
Outdoor (208/230-1; 208/230-3; 460-3)	28.7; 18.6; 8.6
MOC	
Indoor	25
Outdoor (208/230-1; 208/230-3; 460-3)	50; 30; 15
Fan Motor (Indoor) (FLA)	1.5
Electric Heat (kW)	4.00

CONTROLS

Control Remote	Wired
Control Voltage	24v
Control Wiring (0-75 ft.)	18 AWG
Control Wiring (75-200 ft.)	16 AWG

REFRIGERANT LINES (Insulate vapor line)

Liquid Line (in.) OD	3/8
Vapor Line (in.) OD	7/8
Metering/Control Device	Accurater at indoor unit

* Refer to NEC and local codes for compliance requirements.

Thermostat Slim Line 7-day Programmable:	Required <input type="checkbox"/>	Not Required <input type="checkbox"/>
Flat Stat 7-day Programmable:	Required <input type="checkbox"/>	Not Required <input type="checkbox"/>
Thermostat Super T2 5-1-1 Commercial:	Required <input type="checkbox"/>	Not Required <input type="checkbox"/>
Remote Room Sensor Kit:	Required <input type="checkbox"/>	Not Required <input type="checkbox"/>
Condensate Pump:	Required <input type="checkbox"/>	Not Required <input type="checkbox"/>

Fresh Air Intake Kit:	Required <input type="checkbox"/>	Not Required <input type="checkbox"/>
Low Ambient Kit:	Required <input type="checkbox"/>	Not Required <input type="checkbox"/>
Isolation Relay:	Required <input type="checkbox"/>	Not Required <input type="checkbox"/>
Crankcase Heater:	Required <input type="checkbox"/>	Not Required <input type="checkbox"/>
Wind Baffle:	Required <input type="checkbox"/>	Not Required <input type="checkbox"/>

UNIT DIMENSIONS – INDOOR MODEL

UNIT SIZE	INDOOR MODEL	WIDTH (IN.) A	HEIGHT (IN.) B	DEPTH (IN.) C	WEIGHT (LB)
48	40QAQ048---3	71-9/16	9-15/16	23-1/8	151

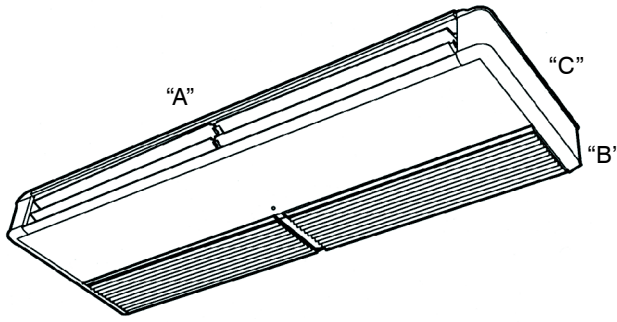


Fig. 1 – 40QAQ Dimensions

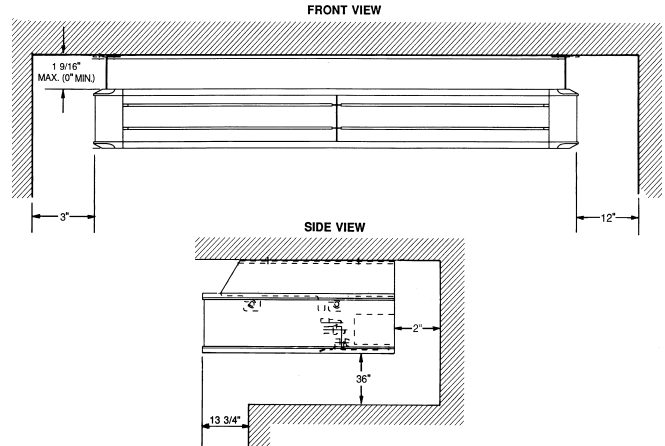
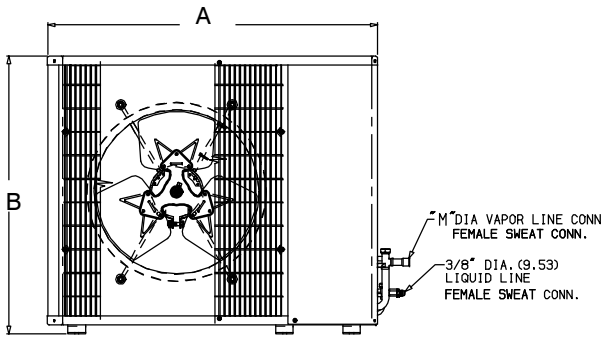
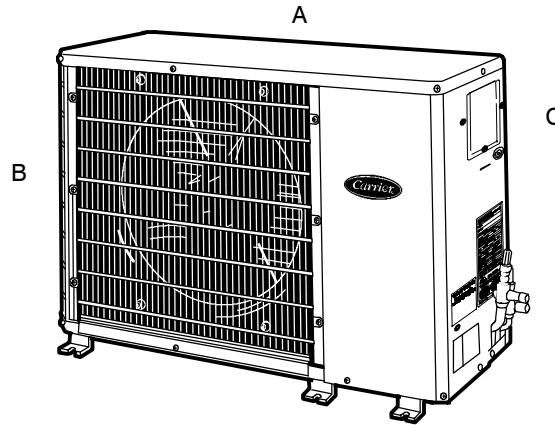


Fig. 2 – 40QAQ Clearance

UNIT DIMENSIONS – OUTDOOR MODEL

UNIT SIZE	OUTDOOR MODEL	WIDTH (IN.) A	HEIGHT (IN.) B	DEPTH (IN.) C	WEIGHT (LB)
048	38QRR048--3	44.6	43.2	17.1	278
048	38QRR048--5	44.6	43.2	17.1	278
048	38QRR048--6	44.6	43.2	17.1	278



FRONT VIEW

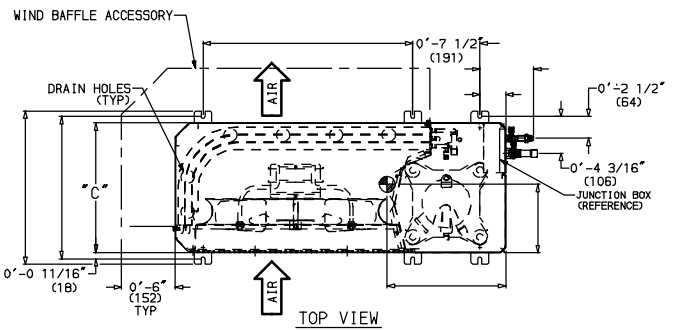


Fig. 3 – 38QRR DIMENSIONS