

**40QAQ060 with 38QRR060  
13 SEER Underceiling System  
Performance™ Series Heat Pump  
with Puron® Refrigerant**



Turn to the Experts.™

# Submittal Data

Job Data: \_\_\_\_\_ Location: \_\_\_\_\_

Buyer: \_\_\_\_\_ Buyer P.O.# \_\_\_\_\_ Carrier # \_\_\_\_\_

Unit Number: \_\_\_\_\_ Model Number: \_\_\_\_\_

Performance Data Certified By: \_\_\_\_\_ Date: \_\_\_\_\_



40QAQ



38QRR



## FEATURES

- 13 SEER / 7.7 HSPF
- Available in 1-1/2, 2, 4 & 5 ton capacities
- Electric heat and auto changeover on heat pumps
- Electro-mechanical control allows ultimate flexibility
- Auto sweep standard
- Slide-in air filters
- Restart function after power failure-thermostat dependent
- Accessory fresh air intake available (30%)
- Mounting bracket standard
- Accessory condensate pump fits in unit
- Limited Warranty: 1-year parts / 5-year compressor

### Indoor Unit - 40QAQ / Outdoor Unit - 38QRR

(Unless otherwise indicated, data applies to both indoor and outdoor models)

<b>SYSTEM SIZE</b> .....	060
<b>REFRIGERANT</b> .....	R-410A
<b>OPERATING WEIGHT (lb)</b>	
Indoor .....	181
Outdoor .....	306
<b>PERFORMANCE</b>	
Cooling Nominal Capacity (Btuh) .....	56,000
Heating Nominal Capacity (Btuh) .....	55,000
Nominal Cooling Capacity w/Heat (Btuh) .....	57,000
Outdoor (Tons) .....	5.0
SEER .....	13
HSPF .....	7.7
Moisture Removal Rate (Pints/hr) .....	14.5
Airflow (Low/Med/High) .....	1040 / 1220 / 1600

<b>ELECTRICAL</b>	
Power Wires .....	10 AWG*
System Voltage .....	208/230-1; 208/230-3; 460-3 V
MCA	
Indoor .....	34.5; 21.5; 10.6
Outdoor (208/230-1; 208/230-3; 460-3) .....	28.7
MOCP .....	30
Indoor .....	15
Outdoor (208/230-1; 208/230-3; 460-3) .....	60; 35; 15
Fan Motor (Indoor) (FLA) .....	2.6
<b>CONTROLS</b>	
Control Remote .....	Wired
Control Voltage .....	24v
Control Wiring (0-75 ft.) .....	18 AWG
Control Wiring (75-200 ft.) .....	16 AWG
<b>REFRIGERANT LINES (Insulate vapor line)</b>	
Liquid Line (in.) OD .....	3/8
Vapor Line (in.) OD .....	7/8
Metering/Control Device .....	Accurater at outdoor unit

\* Refer to NEC and local codes for compliance requirements.

<b>Condensate Pump:</b>	Standard <input type="checkbox"/>	Accessory <input type="checkbox"/>	Not Required <input type="checkbox"/>
<b>Remote Control:</b>	Standard <input type="checkbox"/>	Accessory <input type="checkbox"/>	Not Required <input type="checkbox"/>
<b>Wired Control:</b>	Standard <input type="checkbox"/>	Accessory <input type="checkbox"/>	Not Required <input type="checkbox"/>
<b>Crankcase Heater:</b>	Standard <input type="checkbox"/>	Accessory <input type="checkbox"/>	Not Required <input type="checkbox"/>
<b>Low Ambient Kit:</b>	Standard <input type="checkbox"/>	Accessory <input type="checkbox"/>	Not Required <input type="checkbox"/>
<b>Winter Start Kit:</b>	Standard <input type="checkbox"/>	Accessory <input type="checkbox"/>	Not Required <input type="checkbox"/>

<b>Wind Baffle:</b>	Standard <input type="checkbox"/>	Accessory <input type="checkbox"/>	Not Required <input type="checkbox"/>
<b>Isolation Relay:</b>	Standard <input type="checkbox"/>	Accessory <input type="checkbox"/>	Not Required <input type="checkbox"/>
<b>Stacking Kit:</b>	Standard <input type="checkbox"/>	Accessory <input type="checkbox"/>	Not Required <input type="checkbox"/>
<b>Fresh Air Intake Kit:</b>	Standard <input type="checkbox"/>	Accessory <input type="checkbox"/>	Not Required <input type="checkbox"/>
<b>Grille (in-ceiling cassette):</b>	Standard <input type="checkbox"/>	Accessory <input type="checkbox"/>	Not Required <input type="checkbox"/>
<b>Hard Start Kit:</b>	Standard <input type="checkbox"/>	Accessory <input type="checkbox"/>	Not Required <input type="checkbox"/>

### UNIT DIMENSIONS – INDOOR MODEL

UNIT SIZE	INDOOR MODEL	WIDTH (IN.) A	HEIGHT (IN.) B	DEPTH (IN.) C
60	40QAQ060---3	92	10	23

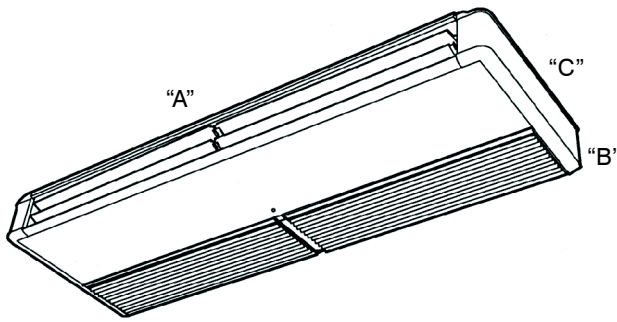


Fig. 1 – 40QAQ Dimensions

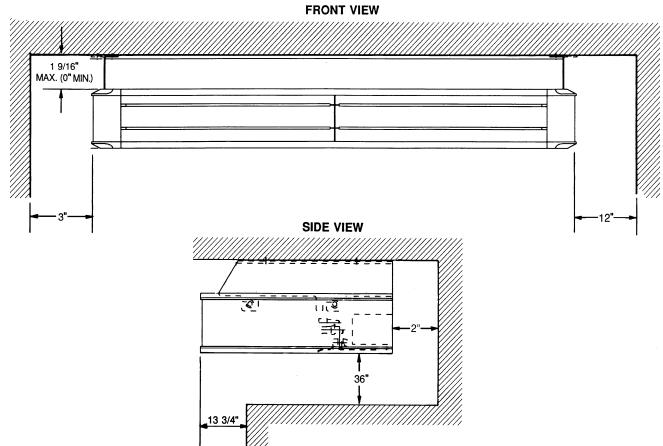
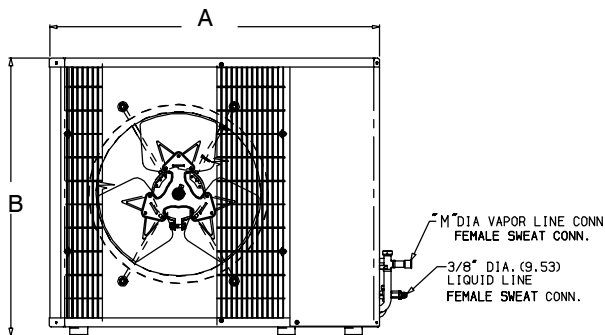
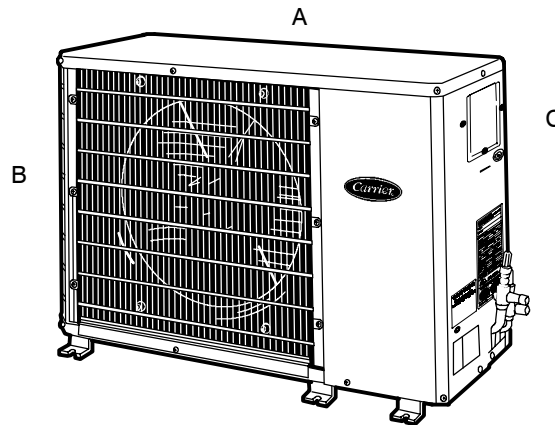


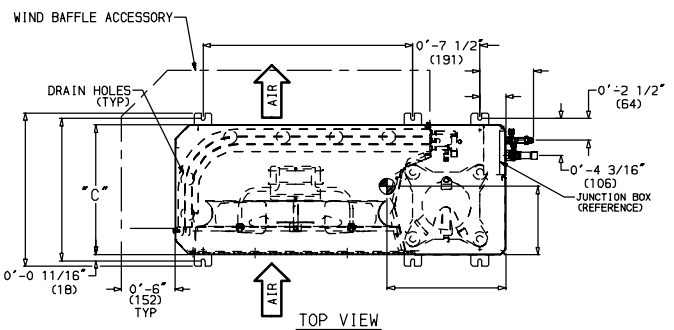
Fig. 2 – 40QAQ Clearance

### UNIT DIMENSIONS – OUTDOOR MODEL

UNIT SIZE	OUTDOOR MODEL	WIDTH (IN.) A	HEIGHT (IN.) B	DEPTH (IN.) C
060	38QRR060---3	45	37	17
060	38QRR060---5	45	37	17
060	38QRR060---6	45	37	17



FRONT VIEW



TOP VIEW

Fig. 3 – 38QRR DIMENSIONS