

CODE

CATALOG #



Carrier

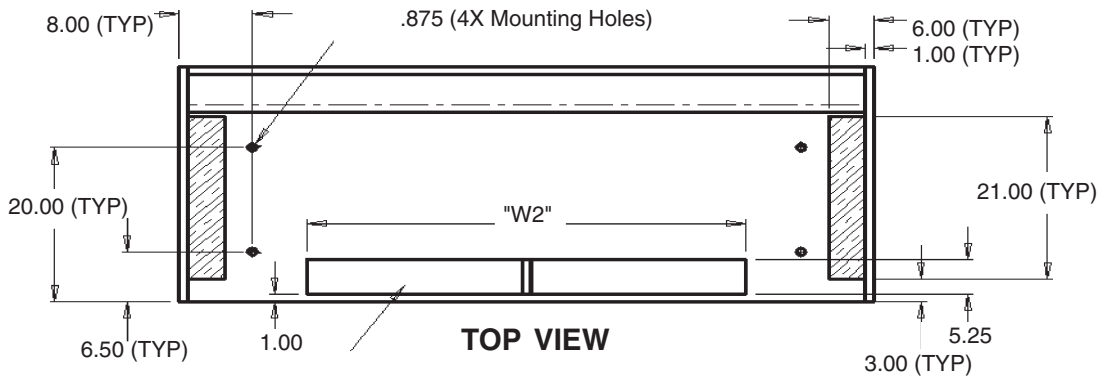
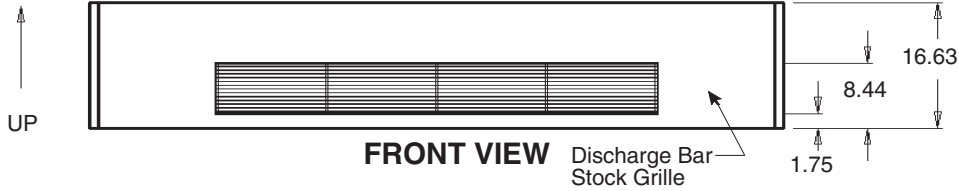
A United Technologies Company

THIS DOCUMENT IS THE PROPERTY OF CARRIER CORPORATION AND IS DELIVERED UPON THE EXPRESS CONDITION THAT THE CONTENTS WILL NOT BE DISCLOSED OR USED WITHOUT CARRIER CORPORATION'S WRITTEN CONSENT

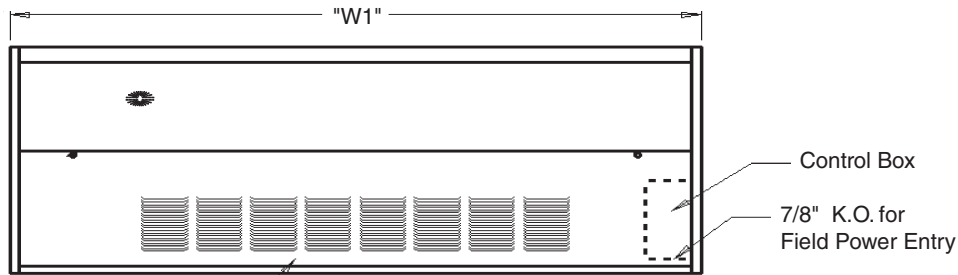
SUBMISSION OF THESE DRAWINGS OR DOCUMENTS DOES NOT CONSTITUTE PART PERFORMANCE OR ACCEPTANCE OF CONTRACT

40UH HORIZONTAL UNIT VENTILATOR SIZES 075-150

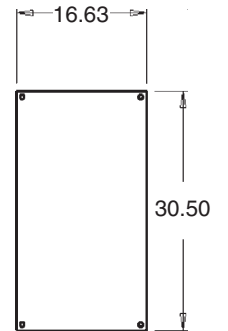
40UH



Optional Top Outside Air Opening



Optional Return Air Louvered Panel Shown



MODEL NO.	"W1"	"W2"	APPROX. WEIGHT
40UH075	64	36	380 LBS.
40UH100	76	48	455 LBS.
40UH125	88	60	525 LBS.
40UH150	100	72	600 LBS.

NOTE:

1. Drawing refers to Design "A" units.
2. All dimensions in inches.
3. W1 dimension includes end panels.
4. Motor and electrical power input box on right side of unit. Box includes Fan Speed/Off Switch and 7/8" knockout on bottom for power wiring.

PRODUCT INFORMATION IS SUBJECT TO CHANGE WITHOUT NOTICE.

04/16/04

JOB NAME	JOB NUMBER	LOCATION	DRAWING NUMBER
BUYER	BUYER #	REVISION B	40UH-202-1