

CODE



Carrier

A United Technologies Company

THIS DOCUMENT IS THE PROPERTY OF CARRIER CORPORATION AND IS DELIVERED UPON THE EXPRESS CONDITION THAT THE CONTENTS WILL NOT BE DISCLOSED OR USED WITHOUT CARRIER CORPORATION'S WRITTEN CONSENT

SUBMISSION OF THESE DRAWINGS OR DOCUMENTS DOES NOT CONSTITUTE PART PERFORMANCE OR ACCEPTANCE OF CONTRACT

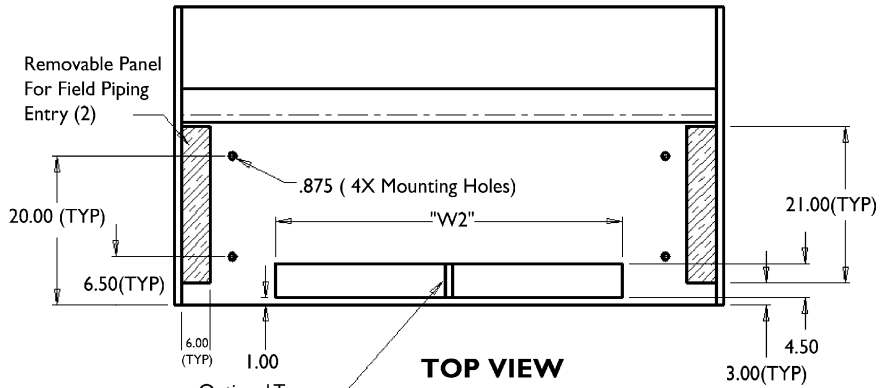
**40UH HORIZONTAL UNIT
VENTILATOR DOWN
DISCHARGE ARRANGEMENT
SIZES 075-200**

40UH

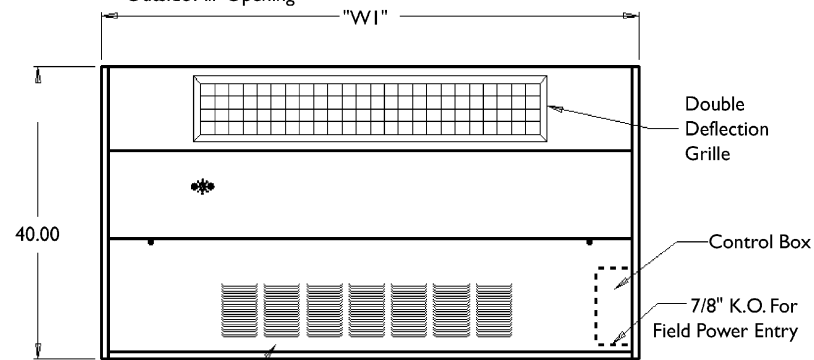
CATALOG #



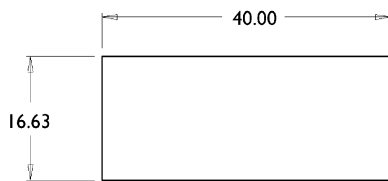
FRONT VIEW



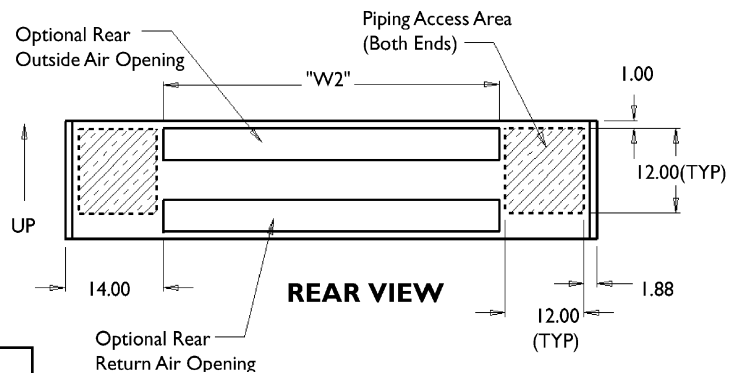
TOP VIEW



BOTTOM VIEW



RIGHT SIDE VIEW



REAR VIEW

MODEL NO.	"W1"	"W2"	APPROX. WEIGHT
40UH075	64	36	380 LBS.
40UH100	76	48	455 LBS.
40UH125	88	60	525 LBS.
40UH150	100	72	600 LBS.
40UH200	100	72	640 LBS.

NOTE:

1. Drawing refers to Design "A" units.
2. All dimensions in inches.
3. W1 dimension includes end panels.
4. Motor and electrical power input box on right side of unit. Box includes Fan Speed/Off Switch and 7/8" knockout on bottom for power wiring.

PRODUCT INFORMATION IS SUBJECT TO CHANGE WITHOUT NOTICE.

04/16/04

JOB NAME	JOB NUMBER	LOCATION	DRAWING NUMBER
BUYER	BUYER #	REVISION	40UH-202-5
		SHEET	