

CODE



Carrier

A United Technologies Company

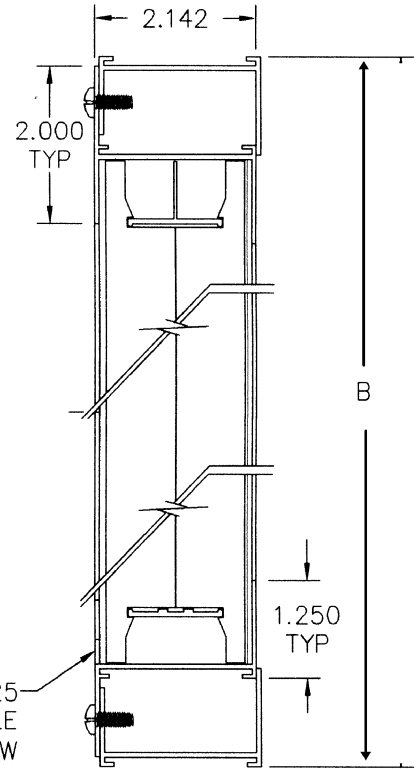
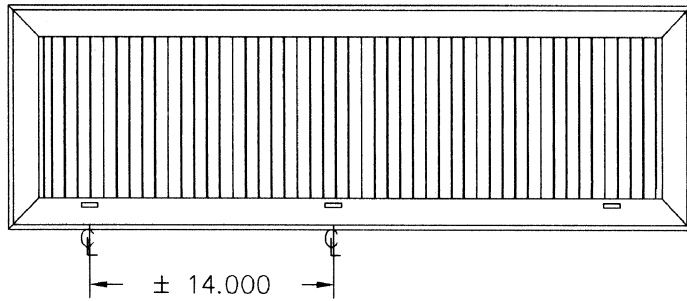
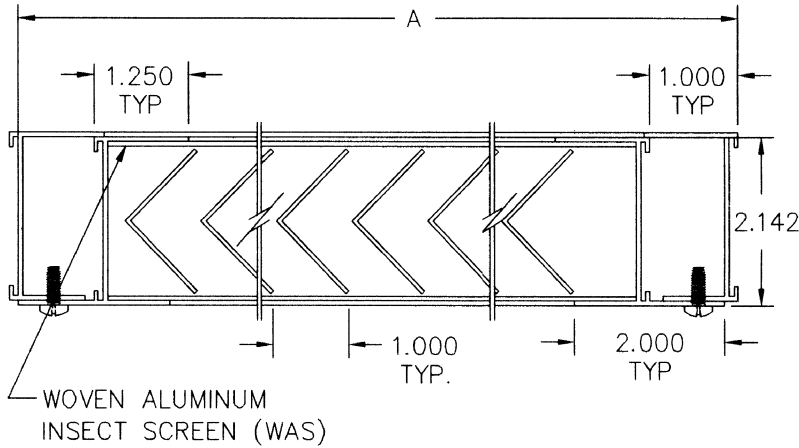
THIS DOCUMENT IS THE PROPERTY OF CARRIER CORPORATION AND IS DELIVERED UPON THE EXPRESS CONDITION THAT THE CONTENTS WILL NOT BE DISCLOSED OR USED WITHOUT CARRIER CORPORATION'S WRITTEN CONSENT

SUBMISSION OF THESE DRAWINGS OR DOCUMENTS DOES NOT CONSTITUTE PART PERFORMANCE OR ACCEPTANCE OF CONTRACT

**40UV/UH UNIT VENTILATOR
VERTICAL BLADE
LOUVER NO FLANGE
SIZES 050-200**

UV/UH

CATALOG #



| 40UV,UH UNIT SIZE | DIMENSIONS | | WALL OPENING DIMENSIONS | |
|----------------------|------------|---------|----------------------------|---------|
| | A | B | A | B |
| 050 | 24" | 10 3/8" | 24 1/2" | 10 5/8" |
| 075 | 36" | 10 3/8" | 36 1/2" | 10 5/8" |
| 100 | 48" | 10 3/8" | 48 1/2" | 10 5/8" |
| 125 | 60" | 10 3/8" | 60 1/2" | 10 5/8" |
| 150/200 | 72" | 10 3/8" | 72 1/2" | 10 5/8" |

NOTE:
1. All dimensions in inches.

PRODUCT INFORMATION IS SUBJECT TO CHANGE WITHOUT NOTICE.

04/16/04

| | | | |
|----------|------------|-------------------|-------------------|
| JOB NAME | JOB NUMBER | LOCATION | DRAWING NUMBER |
| BUYER | BUYER # | REVISION A | 40UH-203-1 |