

CODE



Carrier

A United Technologies Company

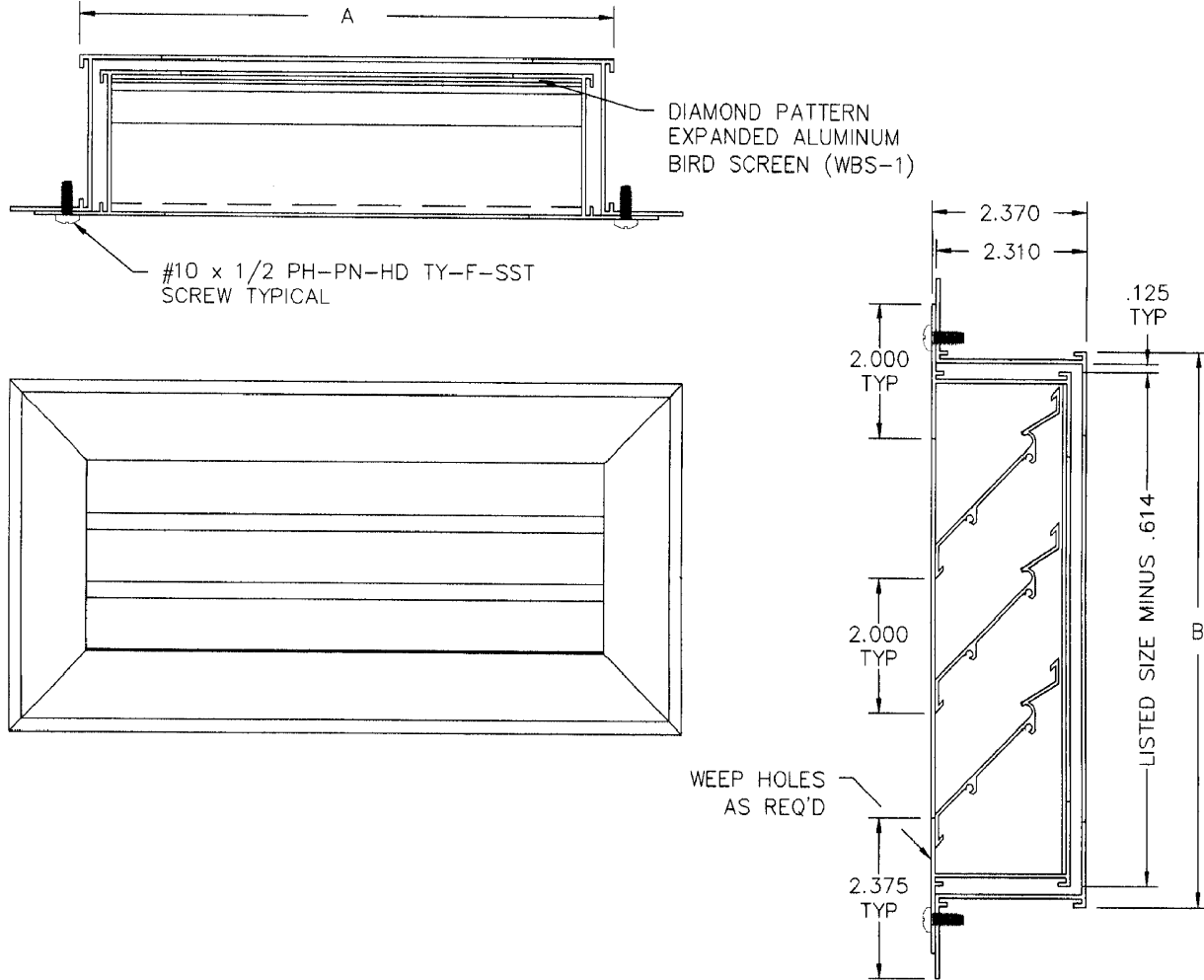
THIS DOCUMENT IS THE PROPERTY OF CARRIER CORPORATION AND IS DELIVERED UPON THE EXPRESS CONDITION THAT THE CONTENTS WILL NOT BE DISCLOSED OR USED WITHOUT CARRIER CORPORATION'S WRITTEN CONSENT

SUBMISSION OF THESE DRAWINGS OR DOCUMENTS DOES NOT CONSTITUTE PART PERFORMANCE OR ACCEPTANCE OF CONTRACT

**40UV/UH UNIT VENTILATOR
HORIZONTAL BLADE
LOUVER WITH FLANGE
SIZES 050-200**

UV/UH

CATALOG #



40UV,UH UNIT SIZE	DIMENSIONS		WALL OPENING DIMENSIONS	
	A	B	A	B
050	24"	10 3/8"	24 1/2"	10 5/8"
075	36"	10 3/8"	36 1/2"	10 5/8"
100	48"	10 3/8"	48 1/2"	10 5/8"
125	60"	10 3/8"	60 1/2"	10 5/8"
150/200	72"	10 3/8"	72 1/2"	10 5/8"

NOTE:
1. All dimensions in inches.

PRODUCT INFORMATION IS SUBJECT TO CHANGE WITHOUT NOTICE.

04/16/04

JOB NAME	JOB NUMBER	LOCATION	DRAWING NUMBER
BUYER	BUYER #	REVISION A	40UH-203-3