

CODE



**Carrier**

A United Technologies Company

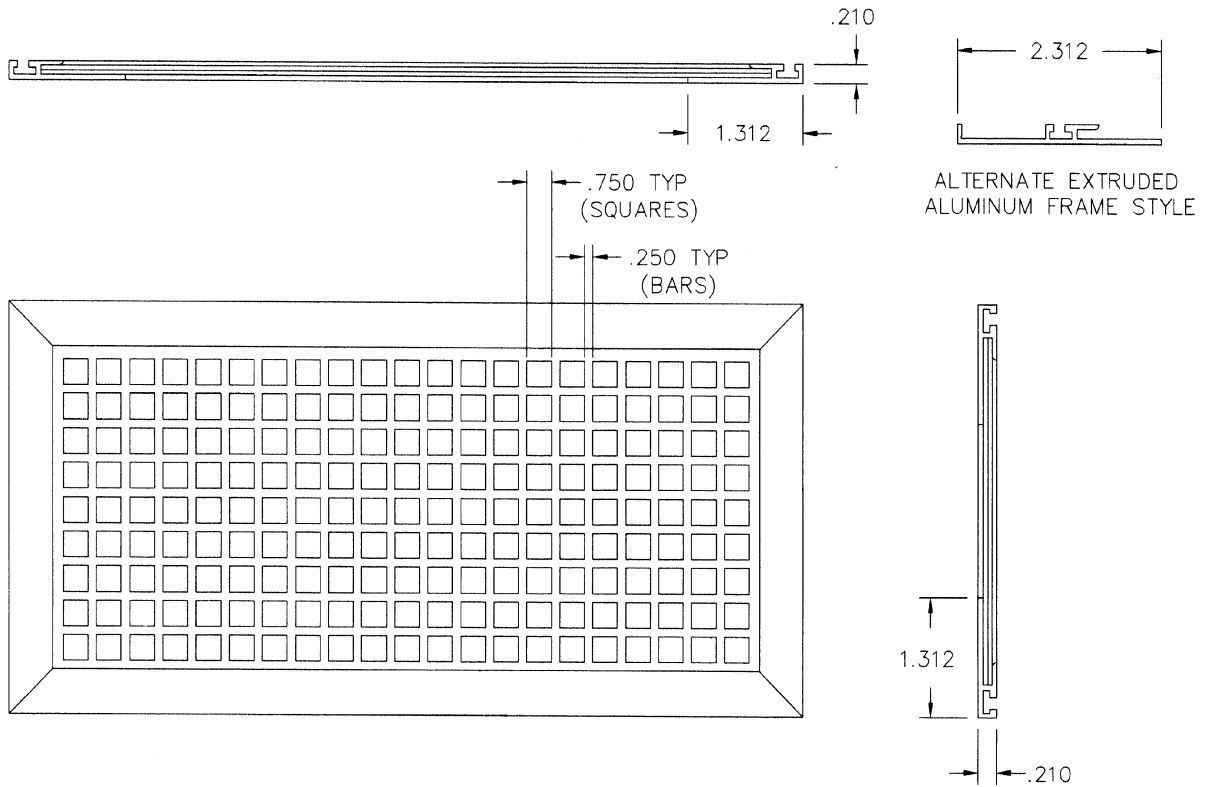
THIS DOCUMENT IS THE PROPERTY OF CARRIER CORPORATION AND IS DELIVERED UPON THE EXPRESS CONDITION THAT THE CONTENTS WILL NOT BE DISCLOSED OR USED WITHOUT CARRIER CORPORATION'S WRITTEN CONSENT

SUBMISSION OF THESE DRAWINGS OR DOCUMENTS DOES NOT CONSTITUTE PART PERFORMANCE OR ACCEPTANCE OF CONTRACT

**40UV/UH UNIT VENTILATOR  
DECORATIVE GRILLE  
ACCESSORY  
SIZES 050-200**

**UV/UH**

CATALOG #



**NOTE:**

- 1. All dimensions in inches.
- 2. See UV 180--1, UV 180--2, UV 180--3, UV 180-4 for Louver Details.

PRODUCT INFORMATION IS SUBJECT TO CHANGE WITHOUT NOTICE.

04/16/04

JOB NAME	JOB NUMBER	LOCATION	DRAWING NUMBER	
BUYER	BUYER #	REVISION	SHEET	<b>40UH-203-5</b>