

CODE



**Carrier**

A United Technologies Company

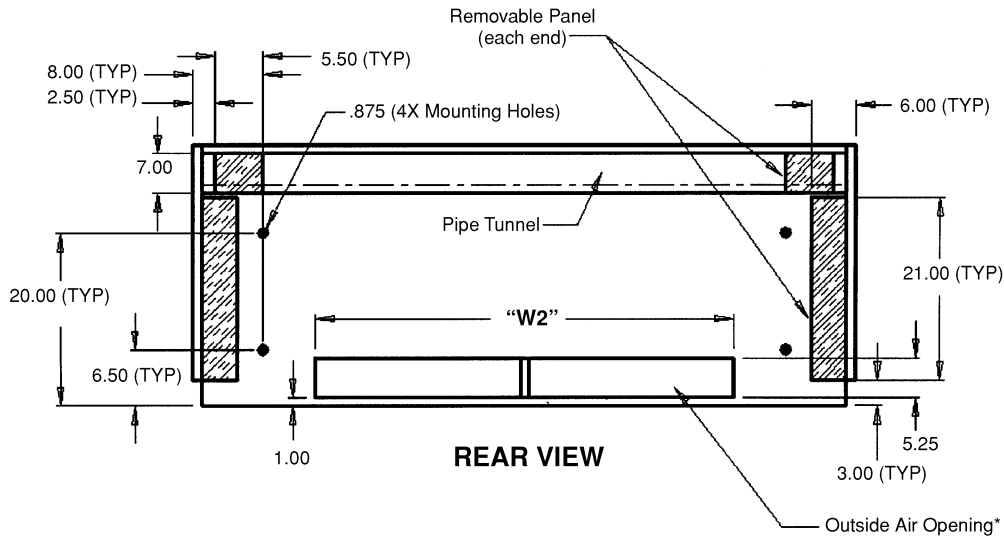
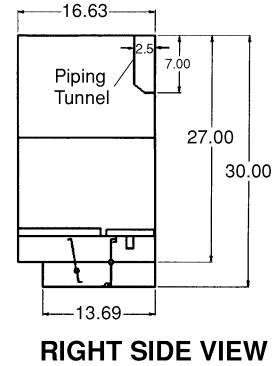
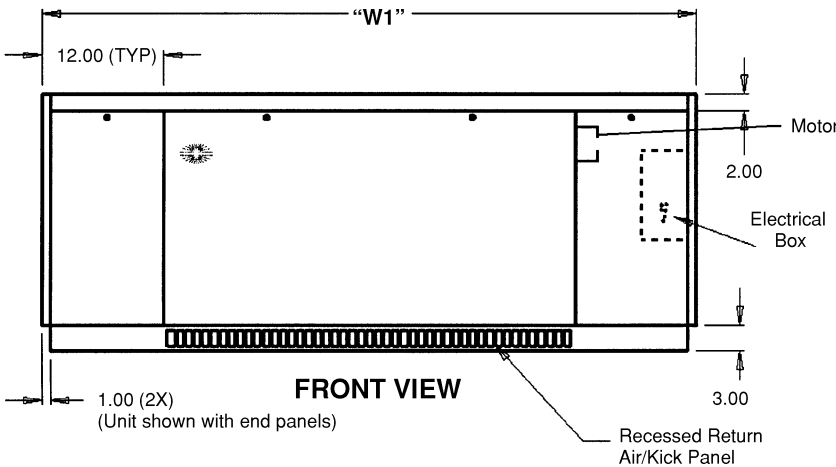
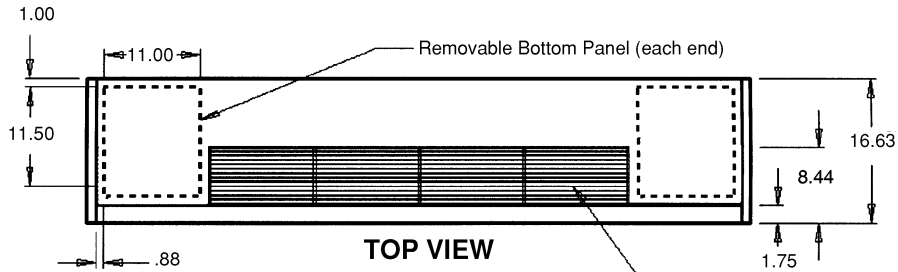
THIS DOCUMENT IS THE PROPERTY OF CARRIER CORPORATION AND IS DELIVERED UPON THE EXPRESS CONDITION THAT THE CONTENTS WILL NOT BE DISCLOSED OR USED WITHOUT CARRIER CORPORATION'S WRITTEN CONSENT

SUBMISSION OF THESE DRAWINGS OR DOCUMENTS DOES NOT CONSTITUTE PART PERFORMANCE OR ACCEPTANCE OF CONTRACT

**VERTICAL  
UNIT VENTILATOR  
SIZES 050-150  
16 5/8" DEEP UNIT**

**40UV**

CATALOG #



MODEL NO.	"W1"	"W2"	APPROX. WEIGHT
40UV050	52	24	275
40UV075	64	36	350
40UV100	76	48	425
40UV125	88	60	495
40UV150	100	72	570

**NOTE:**

1. Drawing refers to Design "A" units.
2. All dimensions in inches.
3. W1 dimension includes end panels.
4. Three front panels for service access.
5. Motor and electrical power input box on right side of unit. Box includes Fan Speed/Off Switch and 7/8" knockout on bottom for power wiring.

PRODUCT INFORMATION IS SUBJECT TO CHANGE WITHOUT NOTICE.

04/16/04

JOB NAME	JOB NUMBER	LOCATION	DRAWING NUMBER
BUYER	BUYER #	REVISION <b>B</b>	<b>40UV-202-1</b>
		SHEET	