

CODE



Carrier

A United Technologies Company

THIS DOCUMENT IS THE PROPERTY OF CARRIER CORPORATION AND IS DELIVERED UPON THE EXPRESS CONDITION THAT THE CONTENTS WILL NOT BE DISCLOSED OR USED WITHOUT CARRIER CORPORATION'S WRITTEN CONSENT

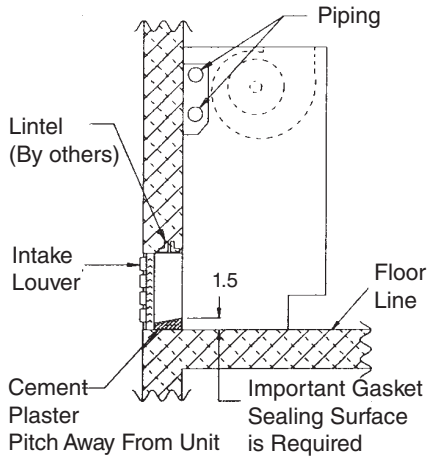
SUBMISSION OF THESE DRAWINGS OR DOCUMENTS DOES NOT CONSTITUTE PART PERFORMANCE OR ACCEPTANCE OF CONTRACT

**40UV UNIT VENTILATOR
INLET AIR ARRANGEMENTS**

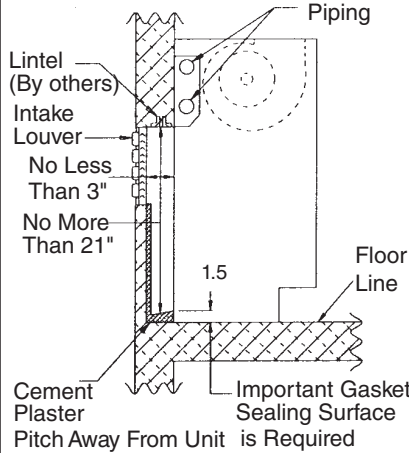
40UV

CATALOG #

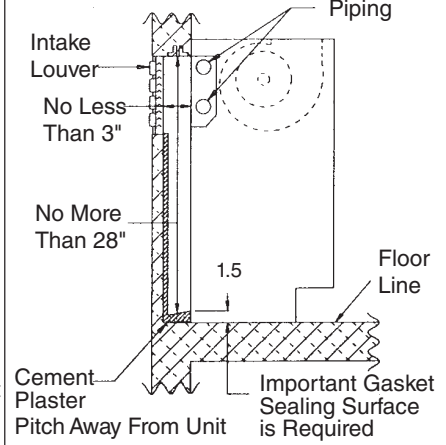
16 5/8" Deep unit with open pipe tunnel and standard intake louver application.



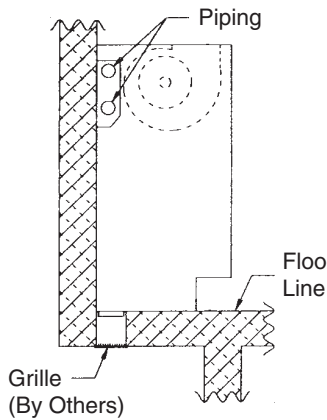
16 5/8" Deep unit with open pipe tunnel and high intake louver application with chased wall.



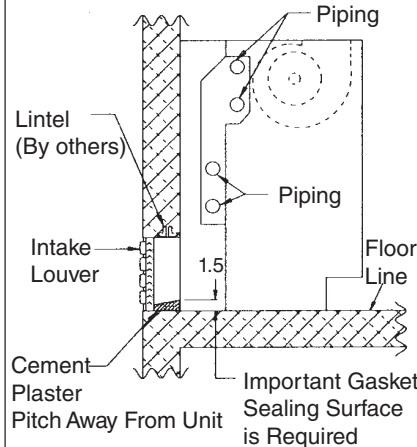
16 5/8" Deep unit with closed pipe tunnel and high intake louver application with chased wall.



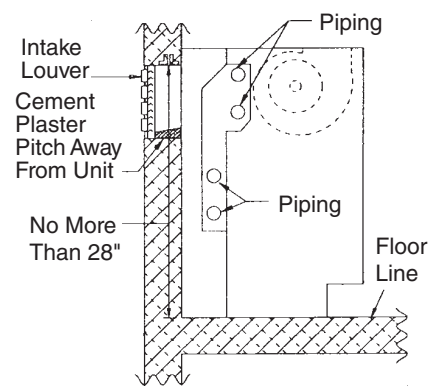
16 5/8" Deep unit with open pipe tunnel and floor outdoor air intake application.



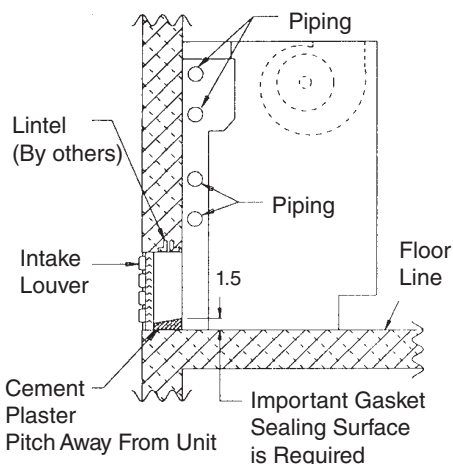
21 7/8" Deep adapter back unit with standard intake louver application.



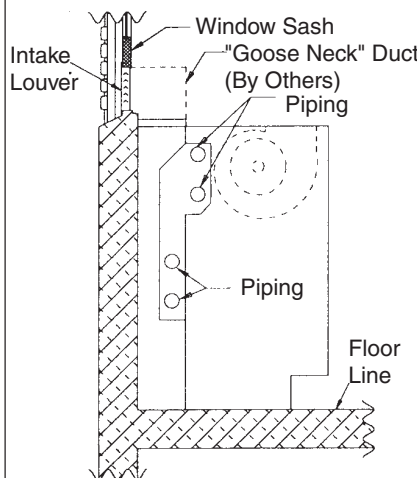
21 7/8" Deep adapter back unit with high intake louver application.



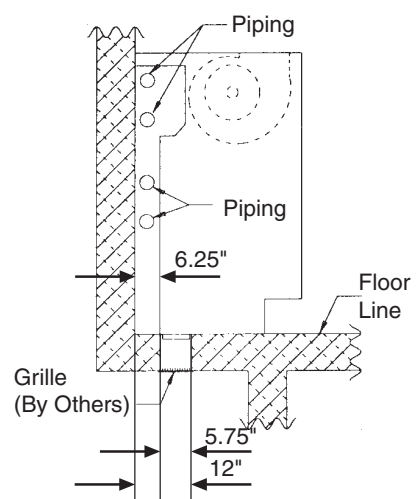
21 7/8" Deep pipe passage unit with standard intake louver application.



21 7/8" Deep window intake unit with window intake louver application.



21 7/8" Deep adapter back unit with floor outdoor air intake application.



PRODUCT INFORMATION IS SUBJECT TO CHANGE WITHOUT NOTICE.

04/16/04

JOB NAME	JOB NUMBER	LOCATION	DRAWING NUMBER
BUYER	BUYER #	REVISION A	40UV-202-6
		SHEET	