

CODE



Carrier

A United Technologies Company

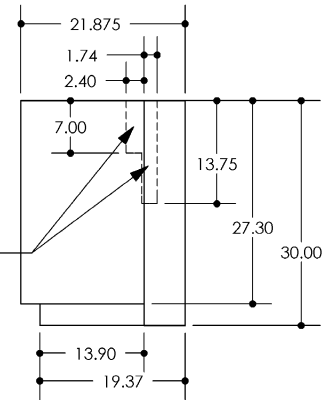
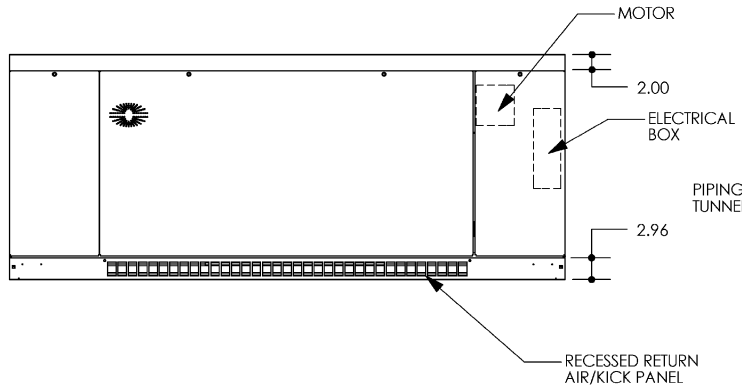
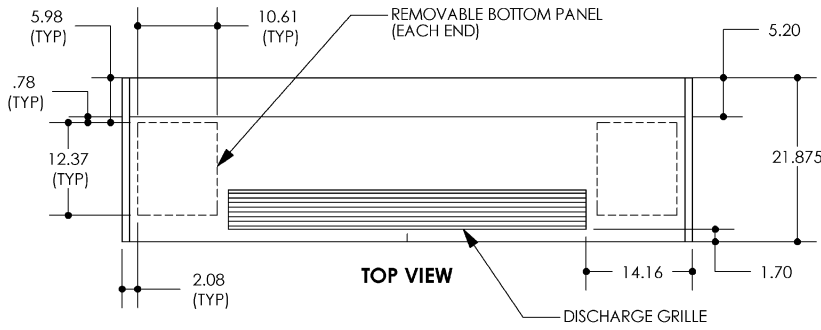
THIS DOCUMENT IS THE PROPERTY OF CARRIER CORPORATION AND IS DELIVERED UPON THE EXPRESS CONDITION THAT THE CONTENTS WILL NOT BE DISCLOSED OR USED WITHOUT CARRIER CORPORATION'S WRITTEN CONSENT

SUBMISSION OF THESE DRAWINGS OR DOCUMENTS DOES NOT CONSTITUTE PART PERFORMANCE OR ACCEPTANCE OF CONTRACT

**40UV VERTICAL UNIT
VENTILATOR
SIZES 050-150
21 7/8" DEEP UNIT**

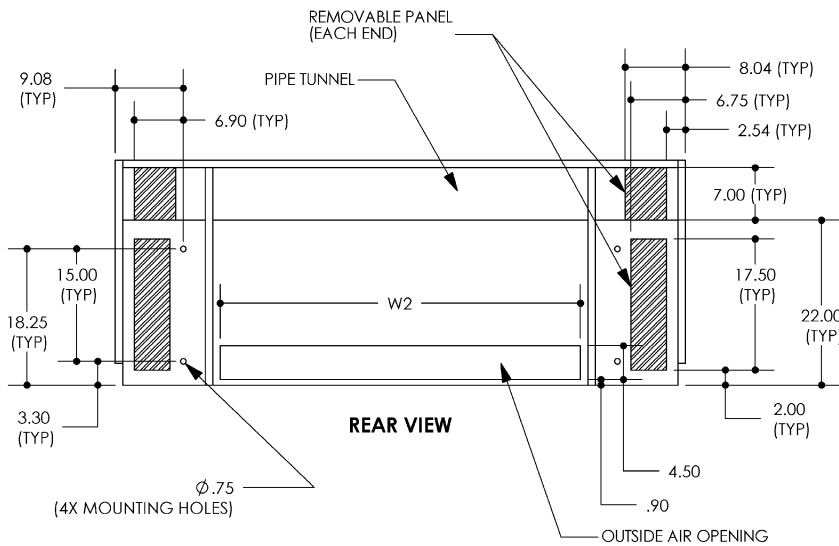
40UV

CATALOG #



FRONT VIEW

END VIEW



REAR VIEW

MODEL NO.	"W1"	"W2"	"W3"	APPROX. WEIGHT
40UV050	52	24	28	295 LBS.
40UV075	64	36	40	370 LBS.
40UV100	76	48	52	445 LBS.
40UV125	88	60	64	525 LBS.
40UV150	100	72	76	620 LBS.

NOTE:

1. Drawing refers to Design "D" & "E" units.
2. All dimensions in inches.
3. W1 dimension includes end panels.
4. Three front panels for service access.
5. Motor and electrical power input box on right side of unit. Box includes Fan Speed/Off Switch and 7/8" knockout on bottom for power wiring.

PRODUCT INFORMATION IS SUBJECT TO CHANGE WITHOUT NOTICE.

04/16/04

JOB NAME	JOB NUMBER	LOCATION	DRAWING NUMBER
BUYER	BUYER #	REVISION	40UV-212-2
		SHEET	