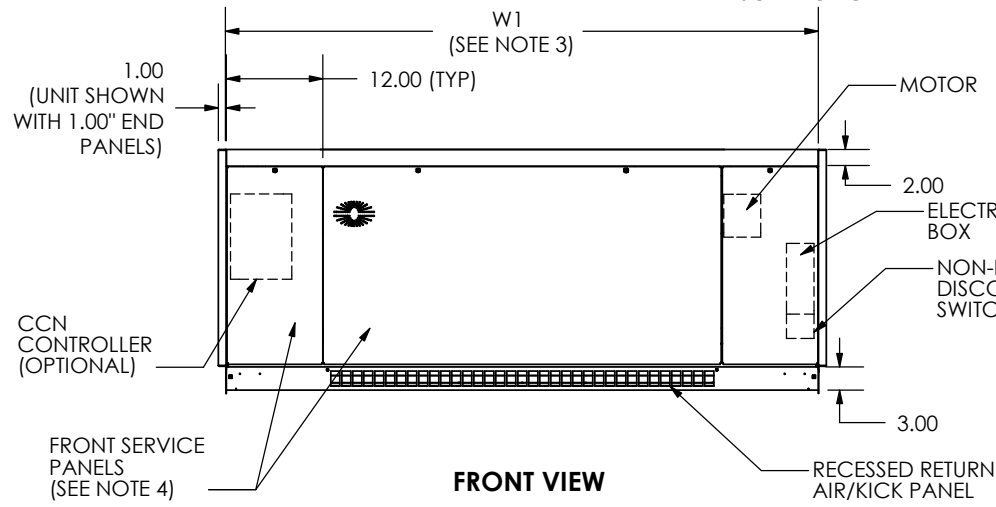
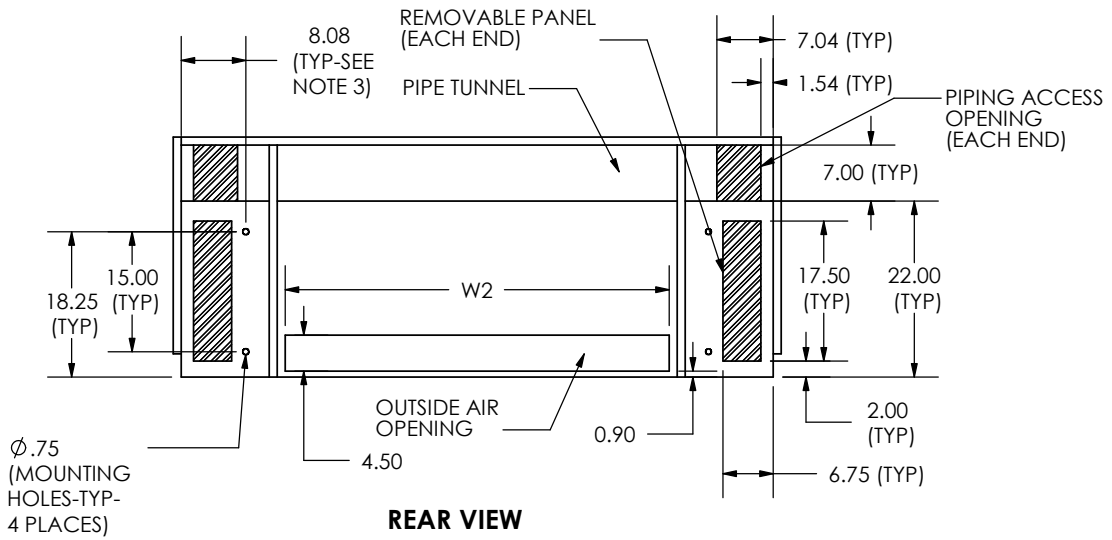


TOP VIEW



FRONT VIEW

END VIEW



REAR VIEW

MODEL NO.	CFM	W1	W2	W3	APPROXIMATE SHIPPING WEIGHT (LBS)	APPROXIMATE INSTALLED WEIGHT (LBS)
40UVE1	500	50	24	16.60	340	325
40UVE2	750	62	36	31.67	410	390
40UVE3	1000	74	48	46.74	490	470
40UVE4	1250	86	60	61.81	605	595
40UVE5	1500	98	72	78.47	675	655

NOTE:

1. Drawing refers to Design "E" units.
2. All dimensions in inches.
3. Dimension does not include end panels.
4. Three front panels provided for service access.
5. Motor and electrical power input box on right side of unit. Box includes Fan Speed switch, On/Off switch and non-fused disconnect switch.
6. Connection hand is determined by facing discharge of unit.