

Small Rooftop Units Gas Heating/Electric Cooling, Electric Cooling, and Heat Pump Units 3 to 12½ Tons (50/60 Hz) Accessory 50% Open Manual Outdoor Air Damper

Cancels: IIK 548-36-18

IIK 548-36-25
11/15/95

Installation Instructions

Part Numbers: CRMANDPR001A02 and CRMANDPR002A02

PACKAGE USAGE AND CONTENTS

UNIT SIZE	DAMPER PACKAGE PART NO.	PACKAGE CONTENTS
3 to 6 Tons	CRMANDPR001A02	1 — Hood assembly 1 — Outdoor-air inlet screen 1 — Damper panel with outdoor-air damper blade attached 18 — 5/8-in. no. 10 screws 1 — Seal strip 1 — Outdoor-air opening panel
7½ to 12½ Tons	CRMANDPR002A02	1 — Hood assembly 2 — Outdoor-air inlet screens 1 — Screen clasp 1 — Damper panel with outdoor-air damper blade attached 18 — 5/8-in. no. 10 screws 1 — Seal strip 1 — Outdoor-air opening panel

IMPORTANT: Read these instructions completely before attempting to install the accessory manual outdoor-air damper. These instructions are applicable to both vertical and horizontal applications.

INSTALLATION

1. Remove filter access panel by raising panel and swinging panel outward. Panel is now disengaged from track and can be removed. No tools are required to remove filter access panel. Remove evaporator access panel. Save screws and discard panel. See Fig. 1.
2. Remove hood (Fig. 2), screen(s), and damper panel with damper blade attached from accessory package. Assemble outdoor-air hood top and sides as shown in Fig. 2. Install seal strip on the hood top and sides. *Do not attach hood to unit at this time.*

3. Attach damper panel with outdoor-air damper blade to outdoor-air opening panel provided as shown in Fig. 3. Do not insert side screws at this time. Secure panel using 4 screws provided on the bottom (see Fig. 3).
4. Adjust minimum position setting of the outdoor damper blade by adjusting screws on the front of the blade. See Fig. 3. Slide blade vertically until blade is in the position determined by Fig. 4 or 5. Tighten screws.
5. Attach assembled hood with seal strips to the damper panel. Use screws provided.
6. Install screen(s) into the hood using 4 screws provided. On 7½ to 12½ ton units, fasten the 2 screens together with screen clasp provided. Use the bottom stop provided to hold the screens in place. See Fig. 6. Tighten screws.
NOTE: Airflow direction is labeled on the screen frame.
7. Install outdoor-air opening panel with screws saved in Step 1.
8. Replace filter access panel.

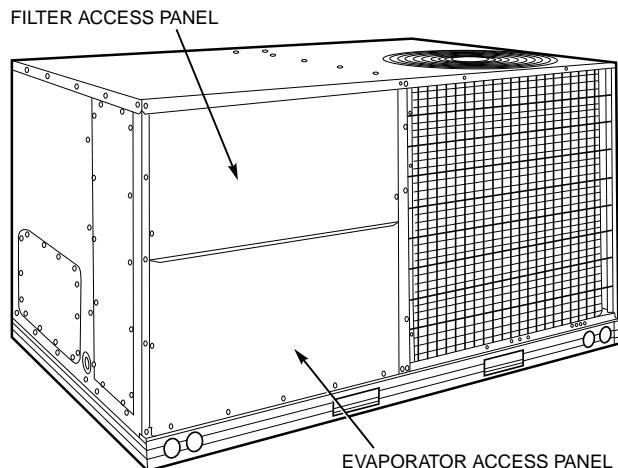
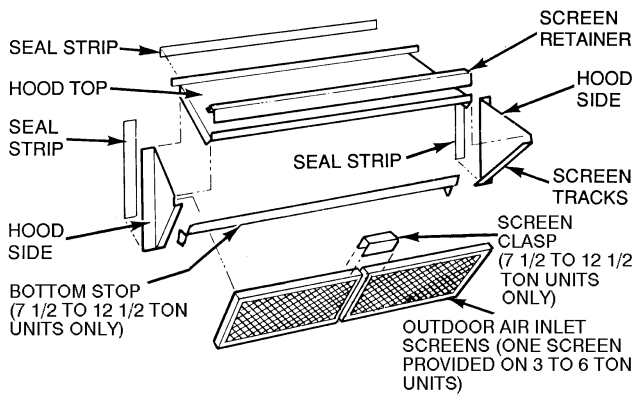
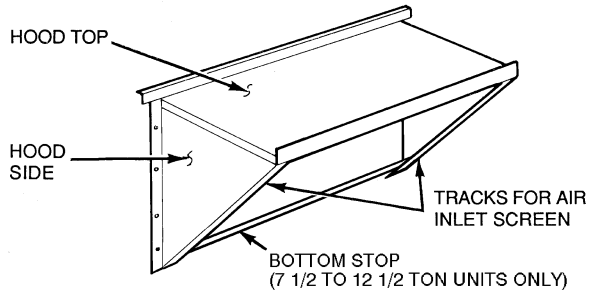


Fig. 1 — Typical Access Panel Locations

Manufacturer reserves the right to discontinue, or change at any time, specifications or designs without notice and without incurring obligations.



OUTDOOR-AIR HOOD - UNASSEMBLED



HOOD SIDES AND TOP ASSEMBLED

Fig. 2 — Outdoor-Air Hood Details

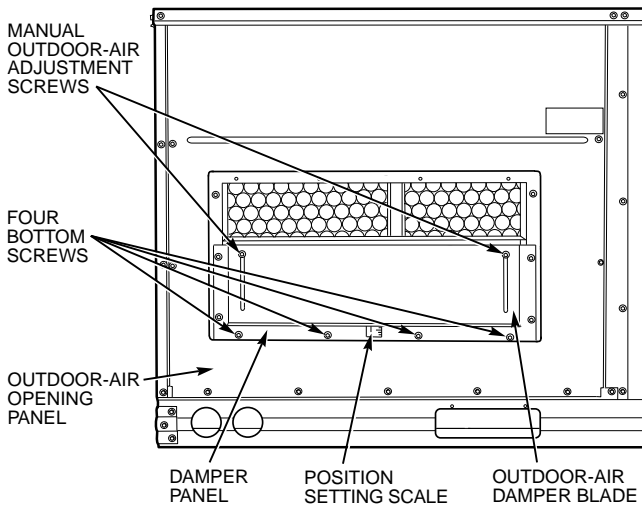
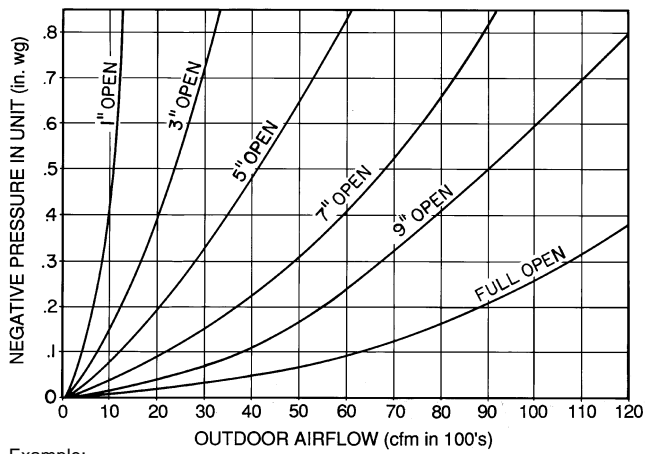
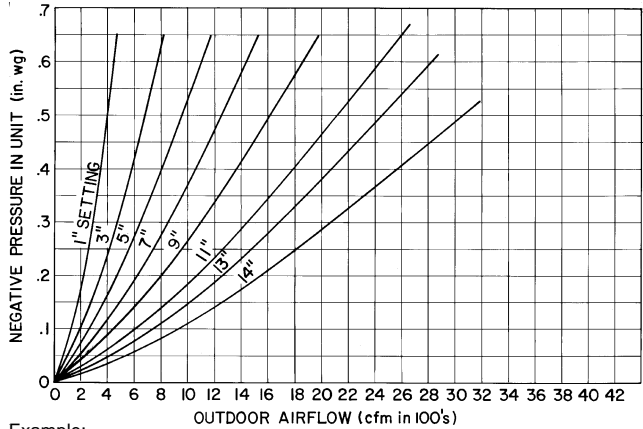


Fig. 3 — Damper Panel Installed



Example:
 Given —
 Negative Pressure 0.2 in. wg
 Outdoor Air 2000 cfm
 Determine —
 Setting = 5 in.

Fig. 4 — Outdoor-Air Intake Position Setting (3 to 6 Ton Units)



Example:
 Given —
 Negative Pressure 0.2 in. wg
 Outdoor Air 800 cfm
 Determine —
 Setting = 9 in.

Fig. 5 — Outdoor-Air Intake Position Setting (7 1/2 to 12 1/2 Ton Units)

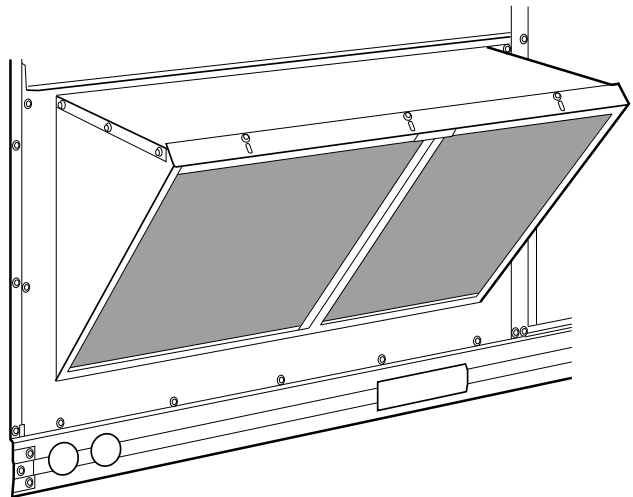


Fig. 6 — Screens Installed on Outdoor-Air Hood (Sizes 7 1/2 to 12 1/2 Tons Shown)