

Large Rooftop Units Manual Damper Accessory for Vertical and Horizontal Applications 18 to 25 tons

Cancels: New IIK 551A-210-11
5/15/05

Installation Instructions

Part Number CRMANDPR008A00

SAFETY CONSIDERATIONS

Installation and servicing of air-conditioning equipment can be hazardous due to system pressure and electrical components. Only trained and qualified service personnel should install, repair, or service air-conditioning equipment.

Untrained personnel can perform basic maintenance functions of cleaning coils and filters and replacing filters. All other operations should be performed by trained service personnel. When working on air-conditioning equipment, observe precautions in the literature, tags and labels attached to the unit, and other safety precautions that may apply.

Follow all safety codes. Wear safety glasses and work gloves. Use quenching cloth for unbrazing operations. Have fire extinguishers available for all brazing operations.

GENERAL

IMPORTANT: Read these instructions completely **BEFORE** attempting to install the manual damper accessory.

The manual damper accessory is designed for use on units without outside air intake. The damper is designed to allow a fixed amount of outside air into the building space. The blade position can be manually adjusted as often as needed. See local and applicable codes for outside air requirements.

Package Contents — CRMANDPR008A00

USE WITH UNITS	PART NUMBER	QTY	DESCRIPTION
48/50HJ020-028 48/50PG20-28 551A/581A210-300	50TG500301	1	Hood Side
	50TG500302	1	Hood Side
	50TG500303	1	Hood Top
	50TG500304	1	Hood Top
	50TG500306	1	Inner Filter Track
	50TG501090	2	Filter Guide for Hood Side
	50TG501091	1	Filter Retainer
	KH03DU350	1	Filter
	99SR120212220001	1	Seal Strip
	50TG500877	2	Block-off Panel
	50TG500878	2	Slider
	AL31AZ308	29	Screw
	AS41BZ133	3	Speed Nut

INSTALLATION

⚠ WARNING

Disconnect all power to the unit before installing this accessory. Electrical shock and personal injury could result.

1. Make sure power supply is off.
2. Carefully remove the blank panel from return end of unit. Save the 6 screws removed.
3. Apply seal strip provided to back flange of both hood sides where the hood side connects to the unit back panel. See Fig. 1.
4. Apply seal strip provided to top flange of both hood sides where hood sides connect to the hood top panels. See Fig. 1.
5. Install hood sides to the back panels using the screws provided. The sloped flanges point outward. The drip edges of the side panels should face outward as well. The filter guides attach to the hood sides. The flanges should face inward to hold the filters in place. See Fig. 1.
6. Apply seal strip along the entire length of the bottom flange of the hood top. See Fig. 1.
7. Install the bottom part of the hood top using 4 screws provided. See Fig. 1.
8. Install the top part of the hood top using the 6 screws removed in Step 2. See Fig. 1.
9. Affix the two sliders to the block-off panels (2) with the screws supplied. The sliders should be assembled so they do not extend beyond the block-off panels. Install into the hood. See Fig. 2.
10. Install the filter in the center of the outdoor air opening between the damper assemblies. See Fig. 3.
11. Install the filter retainer track along the bottom edge of the outdoor air hood using 4 screws provided. For filter removal, remove the four screws holding the filter retainer. The filters can then be removed, cleaned, or replaced. Install the filters by reversing the procedure. See Fig. 1.
12. Move the manual dampers into the appropriate position and lock into place using the screws mounted in the adjustment slots. See Fig. 2.
13. Restore power to the unit.

Manufacturer reserves the right to discontinue, or change at any time, specifications or designs without notice and without incurring obligations.

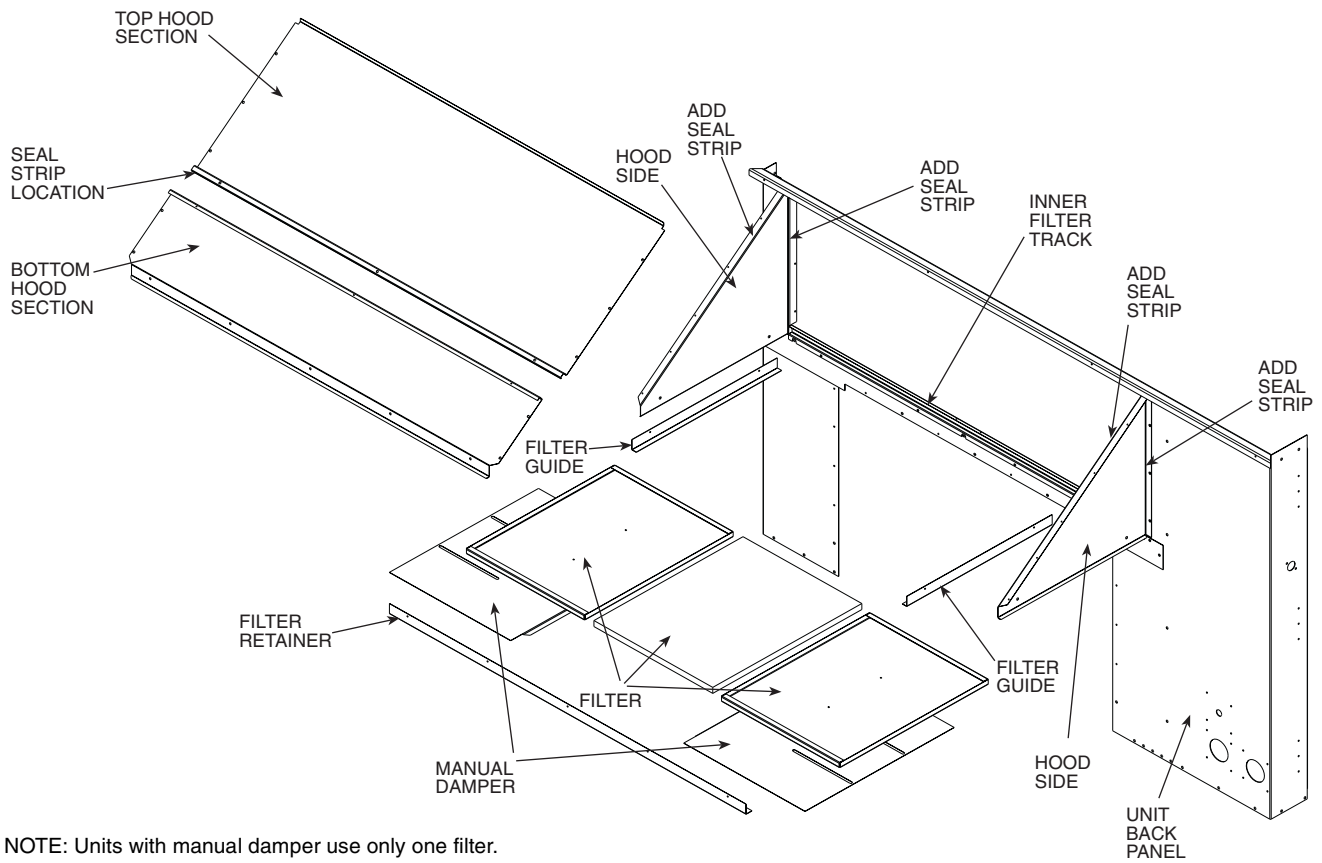


Fig. 1 — Outdoor Air Hood Details

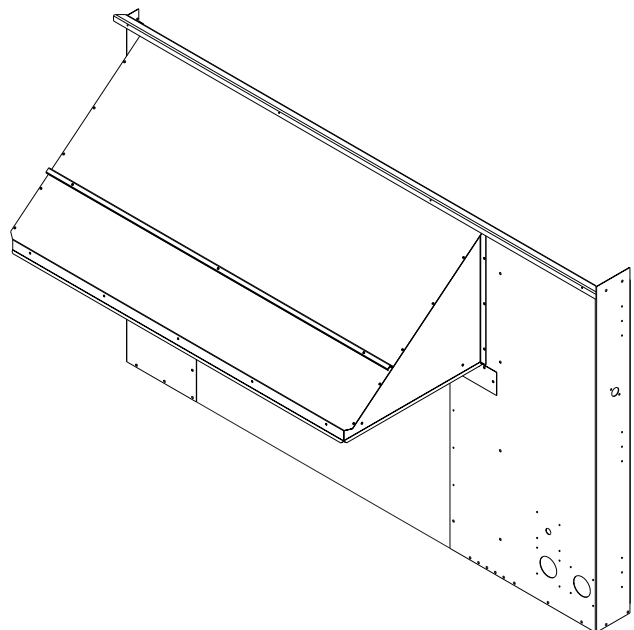


Fig. 3 — Outdoor Air Hood Assembled

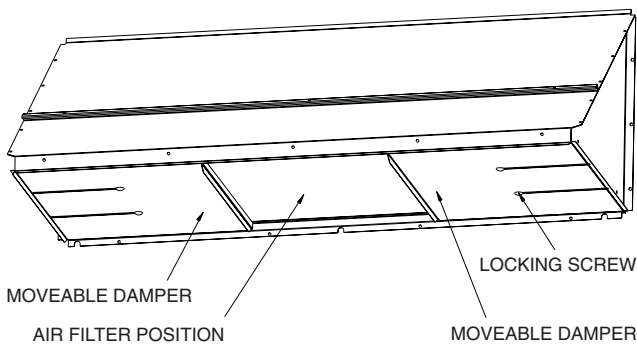


Fig. 2 — Manual Damper Details