



Installation Instructions

Part Numbers: CRMANDPR005A00, CRMANDPR006A00, CRMANDPR007A00

SAFETY CONSIDERATIONS

Installation and servicing of air-conditioning equipment can be hazardous due to system pressure and electrical components. Only trained and qualified service personnel should install, repair, or service air-conditioning equipment.

Untrained personnel can perform basic maintenance functions of cleaning coils and filters and replacing filters. All other operations should be performed by trained service personnel. When working on air-conditioning equipment, observe precautions in the literature, tags and labels attached to the unit, and other safety precautions that may apply.

Follow all safety codes. Wear safety glasses and work gloves. Use quenching cloth for unbrazing operations. Have fire extinguishers available for all brazing operations.

GENERAL

IMPORTANT: Read these instructions completely before attempting to install the accessory manual damper.

The accessory manual damper is designed for use on units without economizers.

The manual damper accessory is designed to allow a fixed amount of outside air into the building space. The blade position can be manually adjusted when required.

PACKAGE USAGE

UNIT 48/50PG	PART NUMBER
03-07	CRMANDPR005A00
08-14	CRMANDPR006A00
16	CRMANDPR007A00

PACKAGE CONTENTS

QTY	CONTENTS
1	Hardware Bag
1	Bottom Panel
1	Top Panel Assembly

INSTALLATION

⚠ WARNING

Turn off unit power and lock out. Electrical shock and personal injury could result.

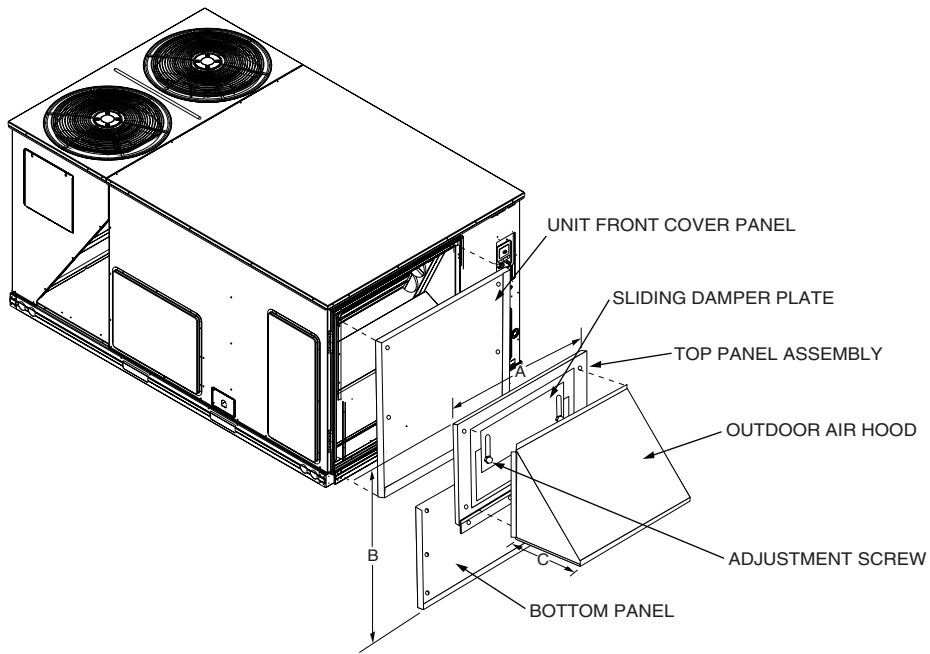
To install the manual damper, perform the following:

1. Make sure power supply is turned off and lockout tag is installed.
2. Unscrew and remove the front cover panel on the return end of the unit to expose the return section of the unit. See Fig. 1. Discard panel and save screws.

⚠ CAUTION

Cover the duct opening as a precaution so objects cannot fall into the return duct opening.

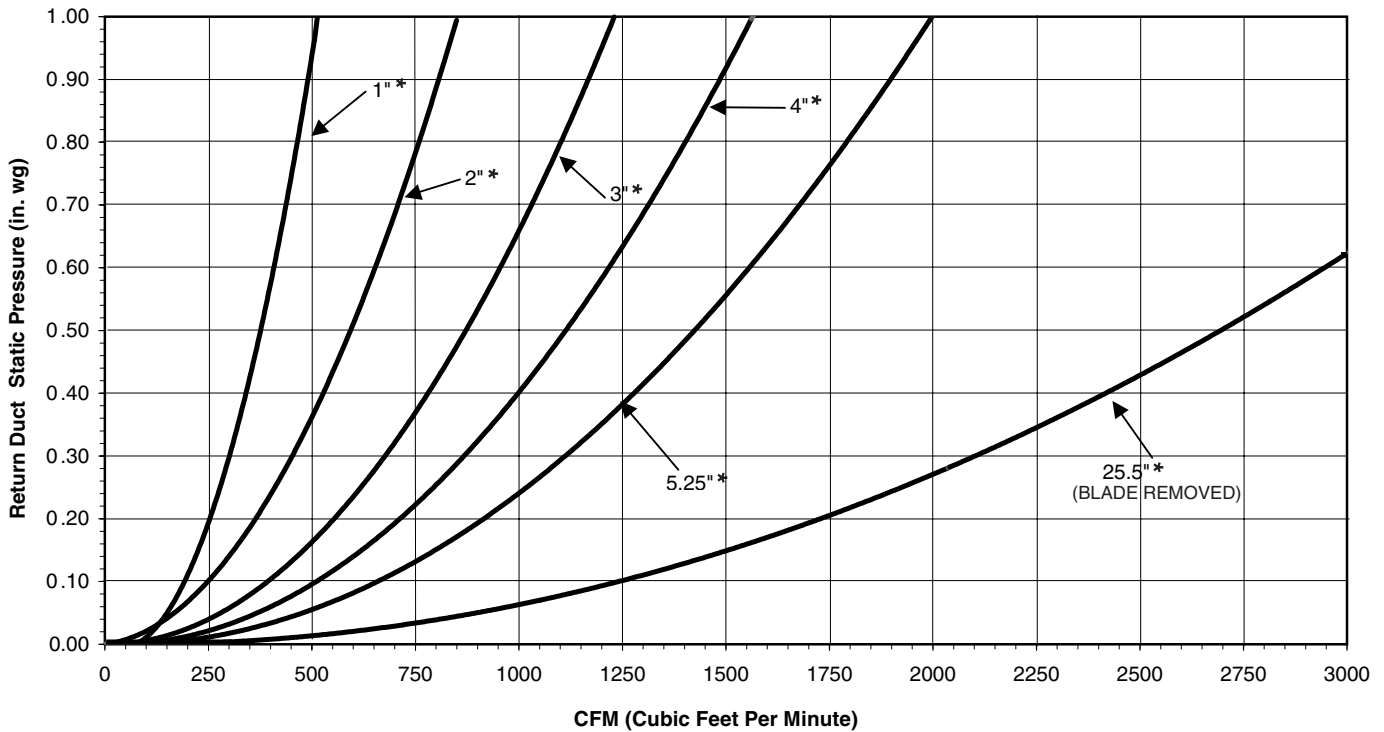
3. Install the bottom panel over the return air compartment. Use screws saved from Step 2. See Fig. 1.
4. Install the top panel assembly over the top section of the return air compartment. The top panel assembly should overlap the bottom panel installed in Step 3. Use screws provided. See Fig. 1.
5. Adjust sliding damper position to desired setting. Manual damper performance is shown in Fig. 2 and 3. To adjust damper, locate adjustment screws on the damper blade (Fig. 1). Loosen, but do not remove the screws. Slide the blade up or down until the marking on the damper blade matches the desired setting based on the return duct static pressure and airflow. Tighten screws. See Fig. 4.
6. Remove lockout tag and restore power to unit.



NOTE: Outdoor air hood is shown removed from top panel assembly. Outdoor air hood is factory-installed on the top panel assembly.

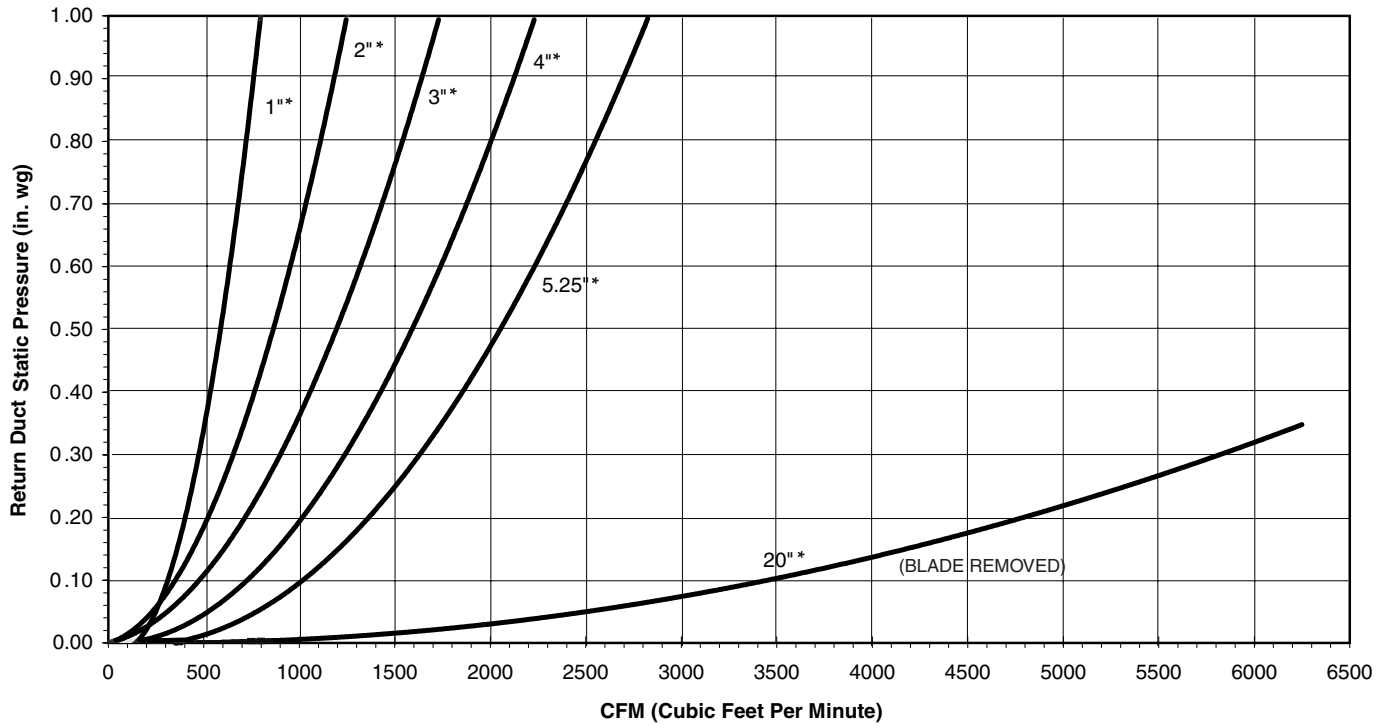
UNIT 48/50PG	ACCESSORY PART NO.	DIMENSIONS (in.)		
		A	B	C
03-07	CRMANDPR005A00	33 ¹ / ₂	37 ¹⁵ / ₁₆	16 ⁵ / ₈
08-14	CRMANDPR006A00	38 ⁵ / ₁₆	45 ¹ / ₂	19 ⁷ / ₈
16	CRMANDPR007A00	60 ¹ / ₄	45 ¹ / ₂	19 ⁷ / ₈

Fig. 1 — Manual Damper Installation



*Manual damper position (outdoor air marking on damper blade).

Fig. 2 — 48/50PG03-07 Manual Air Damper Performance



*Manual damper position (outdoor air marking on damper blade).

Fig. 3 — 48/50PG08-16 Manual Air Damper Performance

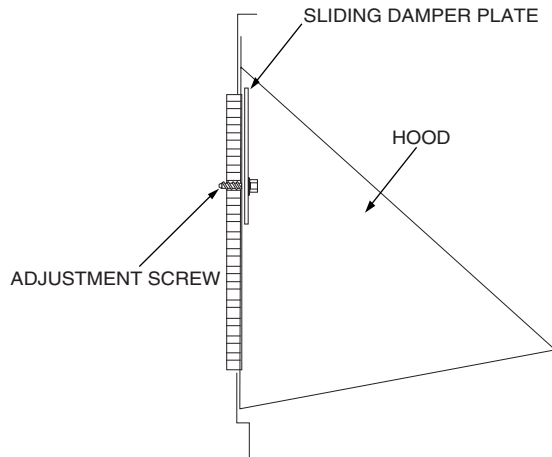


Fig. 4 — Side View of Manual Damper Installed on Unit

Manufacturer reserves the right to discontinue, or change at any time, specifications or designs without notice and without incurring obligations.