


Installation Instructions

The accessory horizontal supply/return conversion kit is used on the 48/50PG 16 size rooftop unit. It can only be used on equipment built after October 1, 2006.


SAFETY CONSIDERATIONS

Improper installation, adjustment, alteration, service, maintenance, or use can cause explosion, fire, electrical shock, or other conditions which may cause personal injury or property damage. Consult a qualified installer, service agency, or your distributor or branch for information or assistance. The qualified installer or agency must use factory-authorized kits or accessories when modifying this product. Refer to the individual instructions packaged with kits or accessories when installing.

Follow all safety codes. Wear safety glasses and work gloves. Use quenching cloth for brazing operations. Have fire extinguisher available. Read these instructions thoroughly and follow all warnings or cautions attached to the unit. Consult local building codes and National Electrical Code (NEC) for special requirements.

Recognize safety information. This is the safety-alert symbol . When you see this symbol on the furnace and in instructions or manuals, be alert to the potential for personal injury.

Understand the signal words DANGER, WARNING, and CAUTION. These words are used with the safety-alert symbol. DANGER identifies the most serious hazards which **will** result in severe personal injury or death. WARNING signifies a hazard which **could** result in personal injury or death. CAUTION is used to identify unsafe practices which **may** result in minor personal injury or product and property damage. NOTE is used to highlight suggestions which **will** result in enhanced installation, reliability, or operation.

 **WARNING**

ELECTRICAL SHOCK HAZARD

Failure to follow this warning could result in personal injury or death.

Before installing or servicing system, always turn off main power to system. There may be more than one disconnect switch.

GENERAL

The accessory horizontal supply/return conversion kit is used to field convert a vertical supply and return unit to horizontal supply and return. Consult the unit product data for the performance impact caused by this conversion.

PACKAGE CONTENTS

Check package contents for the correct parts listed below:

CRHORIZON005A00 (15 Ton Unit)


PART NUMBER	QUANTITY	DESCRIPTION
48HG401536	1	Return Cover Assembly
48HG401538	1	Supply Cover Assembly
HH12ZB160	1	Limit Switch

INSTALLATION

50PG16

Perform the following procedure to install the accessory:

1. Turn off main power to unit and lock out power to the unit.

 **CAUTION**

PROPERTY DAMAGE HAZARD

Failure to follow this caution may result in property damage.

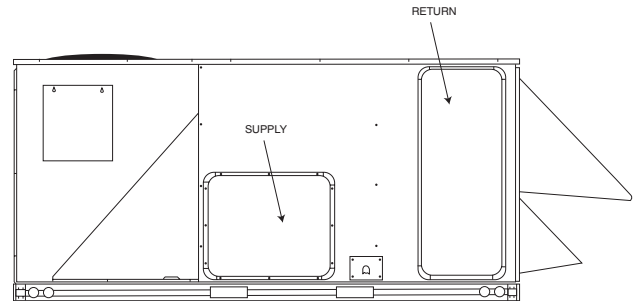
When removing panels from the unit, be careful not to damage roof or other surfaces with the panels.

2. Remove horizontal duct covers. Discard covers. Save the washer-faced screws for use later. (See Fig. 1.)
3. If unit is equipped with electric heat, the heater will need to be moved from unit.
4. Remove heater support bracket located over vertical openings by removing (4) screws securing the bracket.
5. Apply liberal bead of RTV around flange of the supply cover from accessory kit. (See Fig. 2.)
6. Slide the cover through horizontal opening into vertical. Orient cover so that tabs are away from horizontal opening. (See Fig. 3.)
7. Allow cover to drop into opening.
8. Continue until the entire cover is engaged into vertical opening. Secure with screws saved from cover removing by drilling through flange into lip in basepan. An alternative method is to use self-tapping screws.
9. Tabs secure far end of cover, so no screws are required.
10. Repeat same procedure for return air.
11. Reinstall heater support bracket previously removed. Insure that heater support rails are oriented properly.
12. Reinstall electric heater, if applicable.

- Restore power and follow check-out procedure in the Start-Up section of Installation Instructions.

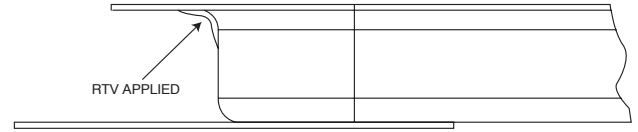
48PG16

- Turn off main power to unit and lock out the power to the unit.
- Remove horizontal duct covers. Discard covers. Save the washer-faced screws for use later. (See Fig. 1.)
- Apply liberal bead of RTV around flange of cover from accessory kit. (See Fig. 2.)
- Slide the cover through horizontal opening into vertical. Orient cover so that tabs are away from horizontal opening with painted side down. (See Fig. 3.)
- Allow cover to drop into opening.
- Continue until the entire cover is engaged into vertical supply air opening. Secure with screws saved from cover removing by drilling through flange into lip in basepan. An alternative method is to use self-tapping screws.
- Tabs secure far end of cover, so no screws are required.
- Repeat same procedure for return air.
- Open blower access panel and locate limit switch. The limit switch is located below the blower in the vertical partition across from evaporator coil.
- Remove wires from switch.
- Remove switch. Switch is secured with (2) #10 screws. Remove 1 screw completely and loosen the other by using a short nut driver or flat ratchet. The switch can then be slid toward the removed screw and extracted from the hole.
- Replace with switch provided in the accessory kit. Failure to replace switch will cause unit to trip at a lower discharge temperature.
- Re-wire switch and close blower access panel. Restore power to unit. Follow check-out procedure in the Start-Up section of Installation Instructions.



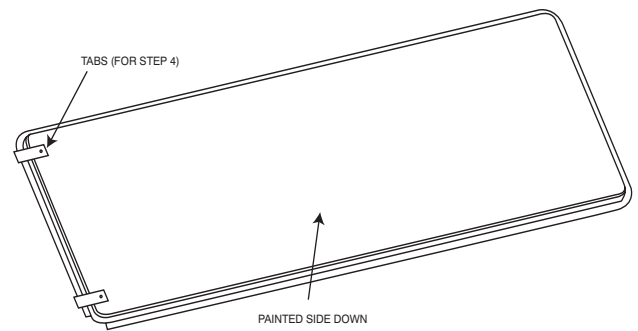
C06205

Fig. 1 – Unit Access Panel



C06206

Fig. 2 – RTV Applied



C06207

Fig. 3 – Cover