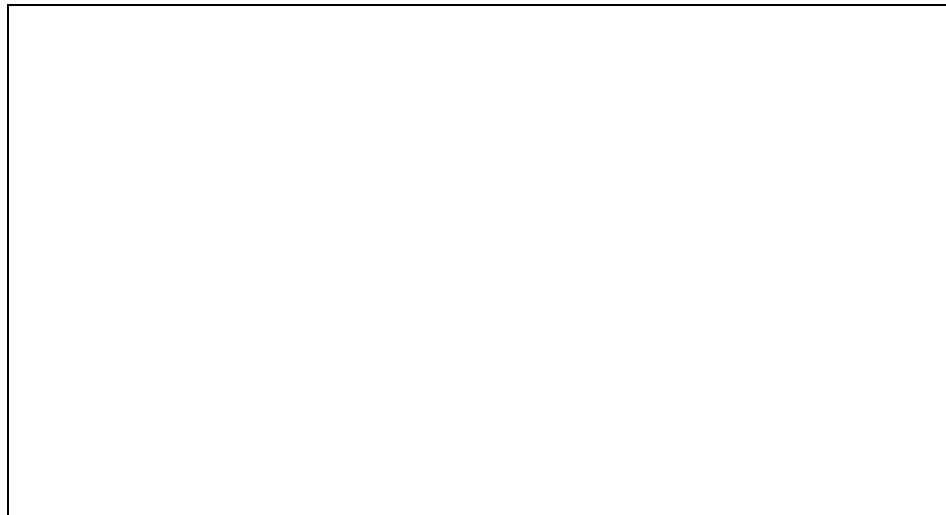




**48TJD/TJF/TJM/TJN016, 020, 024, 028
SINGLE-PACKAGE COOLING UNITS WITH
FACTORY-INSTALLED GAS HEAT**

**50TJ016, 020, 024, 028
SINGLE-PACKAGE COOLING UNITS WITH
FACTORY-INSTALLED OPTIONAL ELECTRIC HEAT**

- PERFORMANCE DATA
- CERTIFIED DIMENSION PRINT
- CERTIFIED ROOF CURB
DIMENSION PRINT
- HORIZONTAL SUPPLY/RETURN
ADAPTER ROOF CURB DIMENSION
PRINT
- SERVICE OPTION DIMENSION PRINT



Date:	Supersedes:	48/50TJ016, 020, 024, 028 SINGLE-PACKAGE COOLING UNITS WITH GAS HEAT (48TJ) OR OPTIONAL ELECTRIC HEAT (50TJ)	48TJ 50TJ	Rev.: -2SB
JOB NAME:		LOCATION:		
BUYER:		BUYER P.O. #	CARRIER #	
UNIT NUMBER:		MODEL NUMBER:		
PERFORMANCE DATA CERTIFIED BY:			DATE:	



ARI STANDARD
360



ALL 208/230,
460-V UNITS



DESCRIPTION

The 48TJ units are one-piece electric cooling/gas heating units and the 50TJ units are one-piece electric cooling/optional electric heating units, prewired and precharged. The 48/50TJ units have bottom air openings for separate supply and return ductwork. The 48TJD units are low heat units and the 48TJF units are high heat units. The 48TJM units are low heat, stainless steel heat exchanger units and the 48TJN units are high heat, stainless steel heat exchanger units. The unit is intended for installation on an accessory curb (ordered separately). Horizontal supply and return connections are also possible with a factory-preassembled horizontal conversion adapter roof curb accessory (ordered separately). Bottom discharge on concentric applications requires a transition duct (field-supplied) external to the unit.

STANDARD UNIT FEATURES

All units meet ASHRAE Standard 90.1.
Standard one-year product warranty.
Five-year warranty on the compressor (48/50TJ016). One year warranty on the compressor (48/50TJ020-028).
Units are rated in accordance with ARI standard 360. Standard unit is certified and listed by ETL and ETL, Canada.
Low outdoor temperature cooling operation to 40 F (4 C) as standard.
Dual freeze-stat protection is provided as standard.
Dual scroll compressors with internal linebreak protection.
Indoor and outdoor coils constructed of aluminum fins mechanically bonded to seamless internally grooved copper tubes.
Dual TXVs (thermostatic expansion valves) metering devices.
Liquid line filter driers provided in each refrigeration circuit.
Optional gear-driven EconoMiSer IV equipped with solid-state controller that includes CO₂ ventilation control capability.
Manually adjustable outside air intake for up to 25% outside air.
Automatic changeover (when used with an auto-changeover thermostat).
Single-point gas and electric connections. Disconnect in accordance with NEC must be field-supplied and installed.
All units utilize 2-stage cooling.
Belt drive adjustable evaporator fan.
Choice of low-medium or high-static indoor fan drive capability.

Cabinet made of pre-painted, galvanized steel with baked enamel finish.
Cooling systems have low and high-pressure switches. Two-inch disposable type return-air filters are factory installed.
Provision for alternate end return in base unit. Horizontal supply available by using accessory curb. EconoMiSer IV may be used with horizontal supply and return.
Direct drive propeller condenser fans with vertical discharge.
48TJ UNITS ONLY
Five-year non-prorated warranty on Alumagard™ coated Turbo-tubular™ gas heat exchanger.
2-stage gas heat in a single 2-stage gas valve.
Induced draft combustion system with Hall effect sensor to detect proper operation of induced-draft motor.
Heavy Alumagard coated heat exchangers with aluminized steel burners.
Optional stainless steel heat exchangers.
Heating controls with solid-state direct spark ignition system (pilotless system) and redundant gas valve. High temperature limit switches and auto-reset flame rollout switch are standard.
Reliable IGC (integrated gas unit controller) with built in diagnostics to determine error codes and control fan on/off delays for energy savings and maximum comfort control.
Integrated gas unit controller provides anti-cycle protection for gas heat operation.

PERFORMANCE DATA

Unit Operating Weight _____ lb/kg

Curb Weight _____ lb/kg

COOLING

Gross Total Capacity _____ Btuh/kW
at Condenser Air Temperature _____ °F/°C
Gross Sensible Capacity _____ Btuh/kW
Compressor Power Input _____ kW
Indoor Entering Air db _____ °F/°C wb _____ °F/°C
Cfm / L/s _____ External Static Pressure _____ in. wg/Pa
Indoor Fan Motor Size _____ Hp/kW
Exhaust Fan Motor Size _____ Hp/kW

HEATING

Heating Capacity:
Gas Stage 1 _____ Btuh/kW
Gas Stage 2 _____ Btuh/kW
Gas Heating Capacity Total _____ Btuh/kW
Electric Stage 1 _____ kW
Electric Stage 2 _____ kW
Electric Heating Capacity Total _____ kW

ELECTRICAL DATA

Power Supply to Unit _____ Volts _____ Phase _____ Hz
Minimum Circuit Amps _____ Maximum Fuse Amps _____

SUBMITTAL DATA

Job Name _____
Architect _____
Engineer _____
Contractor _____
Unit Designation _____

OPTIONS AND ACCESSORIES

FACTORY-INSTALLED OPTIONS

- Fully Integrated Gear Driven EconoMiSer IV
- Additional 5-Year (6th-10th Year) Extended Protection Plan on the Heat Exchanger (48TJ)
- Service Option Package (Hinged Access Panels, Non-Fused Disconnect, 115-v Convenience Outlet)
- Low/High Gas Heat (48TJ)
- Electric Heat (50TJ)
- Pre-Coated Condenser Coils
- E-Coated Condenser Coils
- Stainless Steel Heat Exchangers (48TJ)
- High Static Fan Motor

FIELD-INSTALLED ACCESSORIES

- Fully Integrated Gear Driven EconoMiSer IV
- PremierLink™ Control
- EconoMiSer2
- Low Ambient Kit — Down to 10 F (016, 020, 028)
- Low Ambient Kit — Down to 25 F (024)
- Motormaster® Control — Down to -20 F
- Return Air Temperature Sensor (Differential Dry Bulb EconoMiSer IV Control)
- Solid-State Enthalpy Control — Outside Air
- Solid-State Enthalpy Control with Harness — Return Air
- Winter Start Package
- Roof Curb (14-in.)
- Roof Curb (24-in.)
- Roof Curb (Horizontal Supply)
- Factory Preassembled, Horizontal Conversion Adapter Roof Curb
- Power Exhaust
- Barometric Relief
- Thermostat and Subbase
- Time Guard II Device
- Two-Position Damper Package
- Liquid Propane (LP) Gas Kit (48TJ only)
- Hail Guard
- Hydronic (Glycol) Coil
- Electric Heat
- CO₂ Sensor — Duct Mount
- CO₂ Sensor — Wall Mount

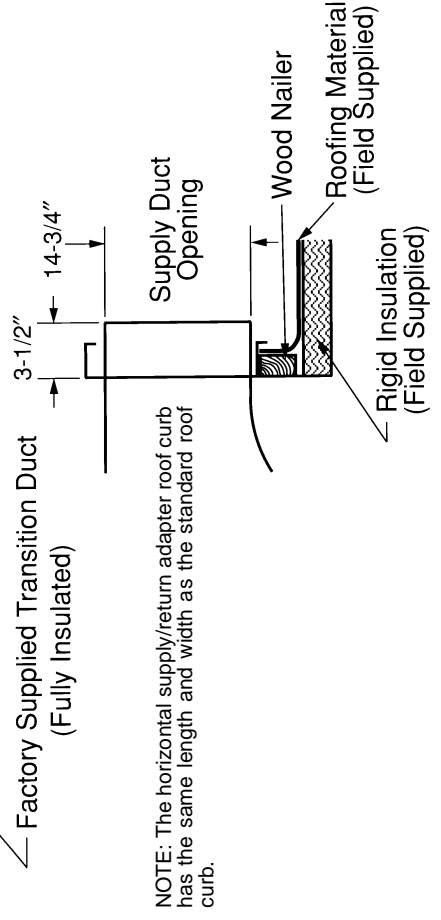
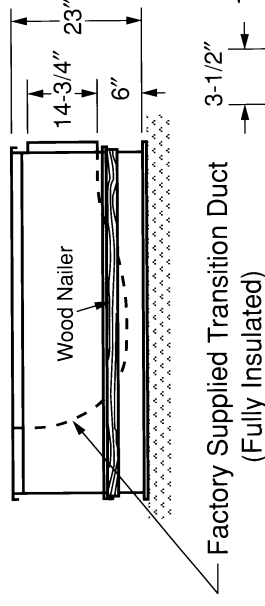
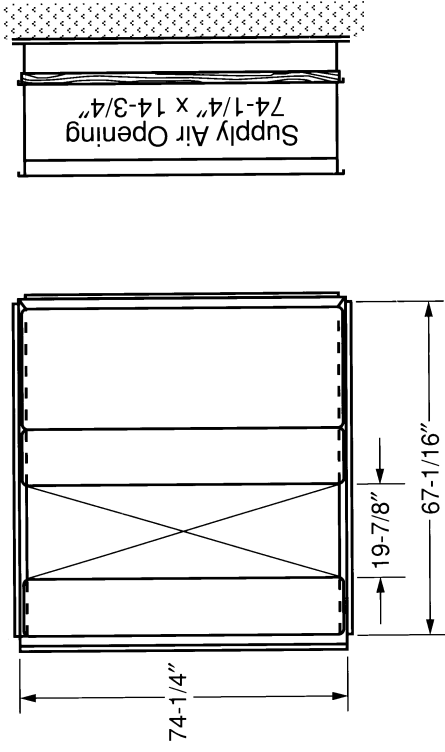
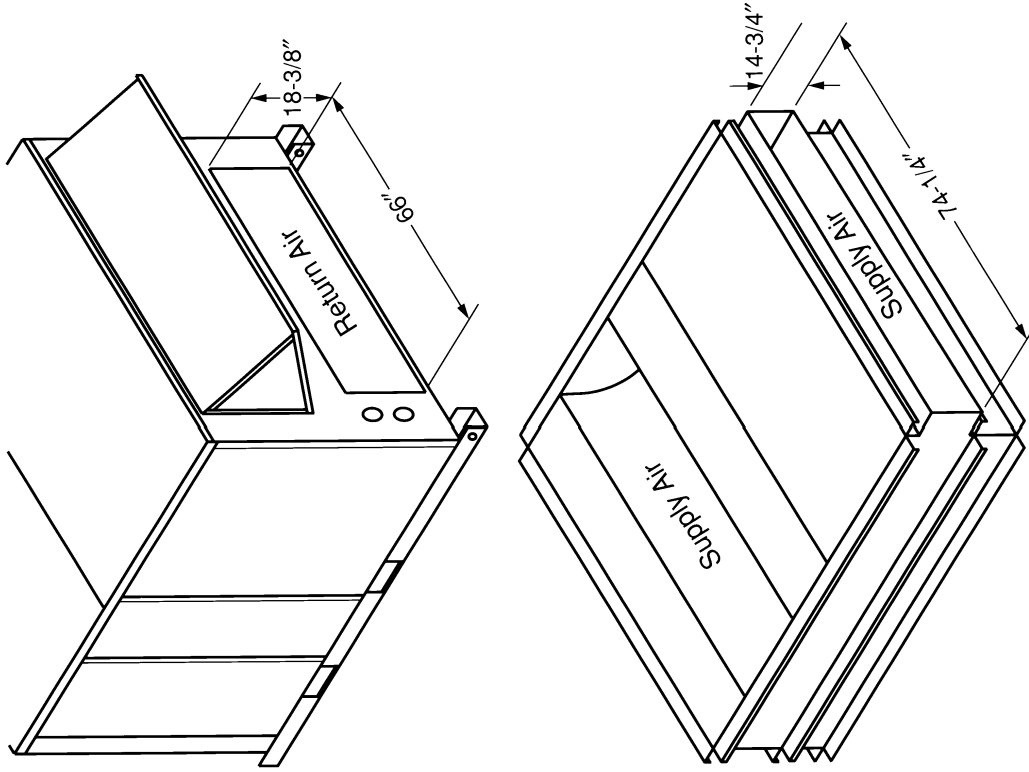
CUT ALONG DOTTED LINE

CUT ALONG DOTTED LINE

CUT ALONG DOTTED LINE

CUT ALONG DOTTED LINE

HORIZONTAL SUPPLY/RETURN ADAPTER DIMENSION DRAWING



NOTE: The horizontal supply/return adapter roof curb has the same length and width as the standard roof curb.

FACTORY PRE-ASSEMBLED HORIZONTAL SUPPLY/RETURN ADAPTER ACCESSORY CRRFCURB013A00

SERVICE OPTION DIMENSION PRINT



UNITED
TECHNOLOGIES
CARRIER

P.O. BOX 8008
SPRING HILL,
TN 37321

THIS DOCUMENT IS THE PROPERTY OF CARRIER CORPORATION
AND IS DELIVERED UPON THE EXPRESS CONDITION THAT THE
CONTRACTOR SHALL NOT BE DISCLOSED OR USED WITHOUT CARRIER
CORPORATION'S WRITTEN CONSENT.

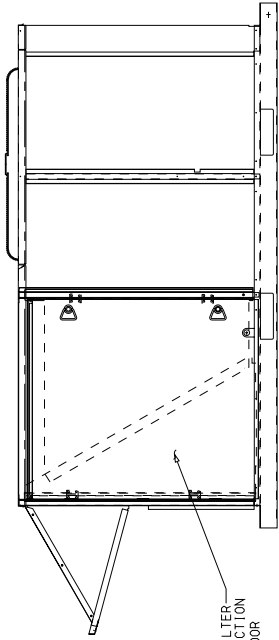
SUBMISSION OF THESE DRAWINGS OR DOCUMENTS
DOES NOT CONSTITUTE AN ACCEPTANCE OF CONTRACT

DATE	SUPERSEDES	48 & 50 SERIES HJ/TJ 015-028, TM016,020,025 SERVICE OPTION DETAILS	50TJ500352	REV B
------	------------	---	------------	----------

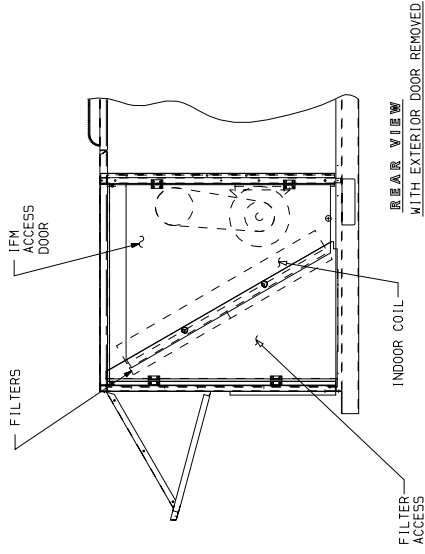
NOTES:

1. CONVENIENCE OUTLET WIRING IS FIELD SUPPLIED.
2. ALL ACCESS DOORS ARE HINGED AND SECURED WITH 1/4 TURN LATCHES.
3. ALL FILTER ELEMENTS CAN BE REMOVED BY GRASPING FILTER SUPPORT TAB AND SLIDING OUTWARD.

TOP



REAR VIEW

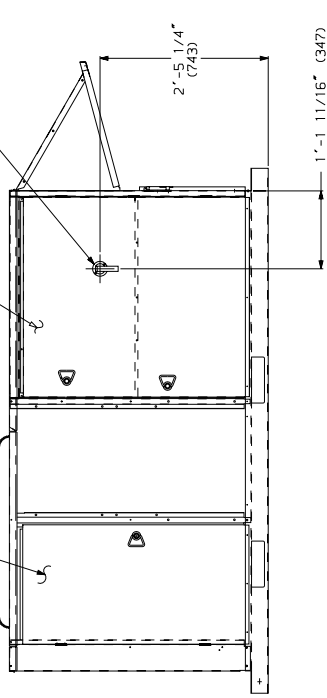


**REAR VIEW
WITH EXTERIOR DOOR REMOVED**

FILTER ACCESS DOOR

COMPRESSOR SECTION DOOR

TOP



FRONT VIEW

CONVENIENCE OUTLET

REAR VIEW

