



Installation Instructions

Part No. 50TJ900061

PACKAGE CONTENTS

ITEM	QTY	PART NO.
Temperature Switch (46.1 C [115 F])	1	HH18HA115
20-in., 16 gage wire	1	—
No. 6B, 3/4 Lg screw	2	—

NOTE: The temperature make point for this switch is 40.6 C (105 F), and the break point is 46.1 C (115 F).

SAFETY CONSIDERATIONS

Installation, start-up, and servicing of this equipment can be hazardous due to system pressures, electrical components, moving parts, and equipment location.

Only trained, qualified installers and service mechanics should install, start-up, and service this equipment. Untrained personnel can perform such basic maintenance functions as cleaning coils or replacing air filters. All other operations should be performed by trained service personnel only.

When working on equipment, observe precautions in literature; tags, stickers, and labels attached to equipment; and any other safety precautions that apply. Follow all safety codes, and wear safety glasses and work gloves. Use care in handling, rigging, and setting bulky equipment.

⚠ WARNING

Before performing service or maintenance operations on unit, turn off main power switch to unit. Electrical shock could result in personal injury.

GENERAL

This package is intended for use on 50TJ016911 units to allow operation at up to 51.7 C (125 F) outdoor ambient temperatures. This accessory may also be used on other TJ units with 06DF electric unloaders.

The higher outdoor ambient operation is accomplished by unloading the compressor. This effectively lowers the current load and head pressure of the compressor and prevents nuisance tripping of the circuit breaker or high-pressure switch.

There is an associated loss of cooling capacity when using this kit. The capacity loss is approximately 20 to 25% depending on indoor wet bulb operating conditions. Refer to 50 Hz Product Data literature for cooling capacity table with accessory high-ambient kit.

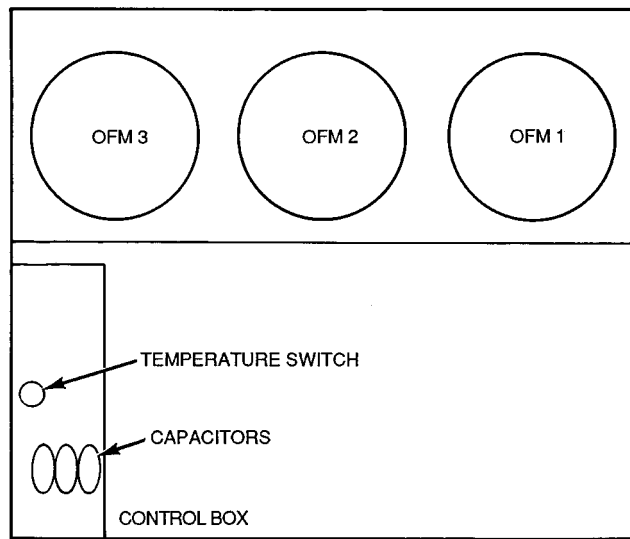
The compressor is unloaded by breaking the Y2 connection from the conditioned space thermostat. A bi-metal, temperature-actuated switch set to open at 46.1 C (115 F) is installed in the control box and senses outdoor ambient. At 46.1 C (115 F) the temperature switch opens, the Y2 connection is broken, and the compressor unloads.

BEFORE INSTALLING

Inspect the contents of this accessory package before installing. File a claim with the shipper if contents are damaged or parts are missing.

INSTALLATION

1. Turn off power to unit.
2. Open control box and check that no power is present at unit terminal block with voltage meter.
3. With 2 screws, install temperature switch in bottom of control box as shown in Fig. 1.
4. Disconnect pink wire from TB2 terminal Y2 and connect it to one terminal of the temperature switch. Refer to Fig. 2.
5. Connect pink wire (supplied with kit) from other terminal of temperature switch to TB2 terminal Y2.
6. Replace panels and turn on power to unit.



OFM — Outdoor (Condenser) Fan Motor

Fig. 1 — Temperature Switch Location

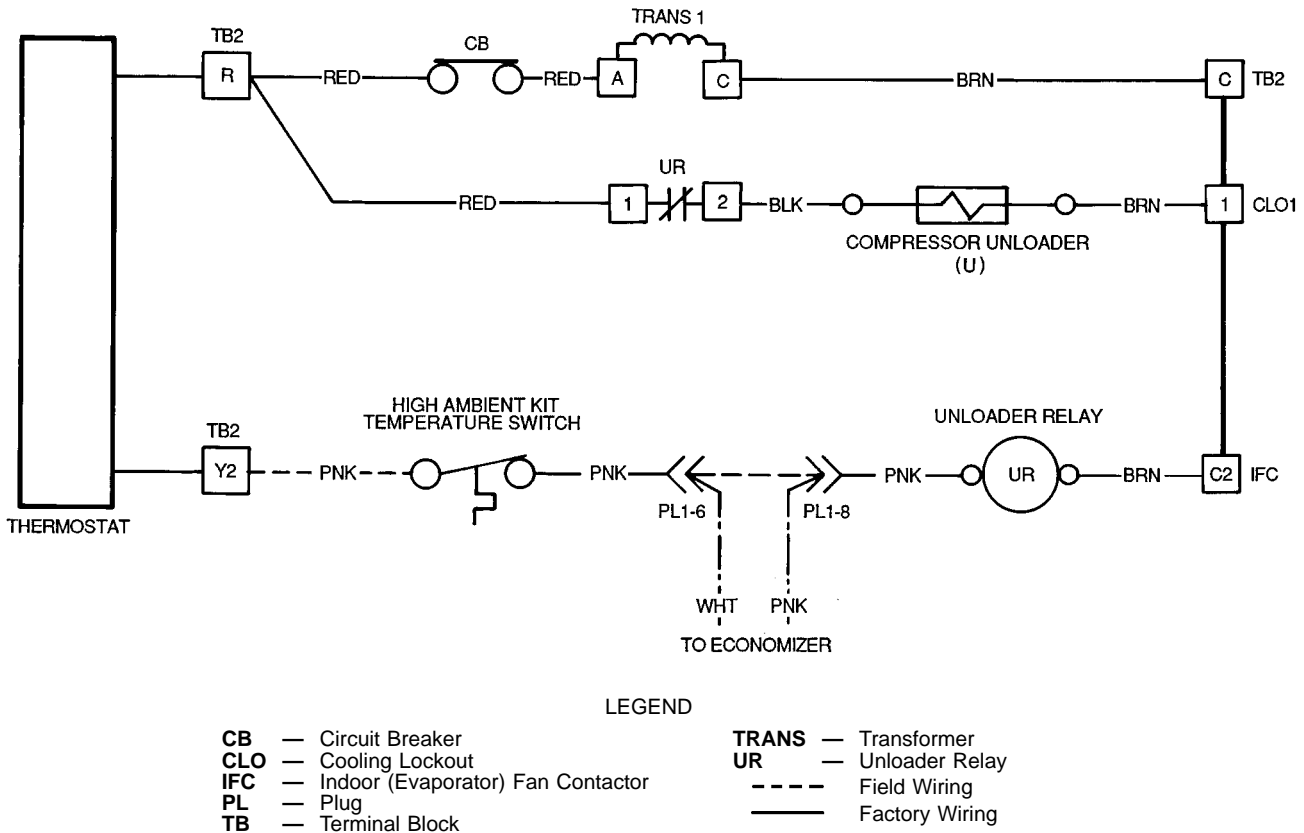


Fig. 2 — Wiring Diagram