

Curtain Deflector Accessory

For Use With Packaged Terminal Air Conditioner or Heat Pump

Cancels: New

IHK 84-07-2
4/15/02

Installation Instructions

INTRODUCTION

These instructions cover the installation of the Curtain Deflector Accessory on packaged terminal air conditioning (PTAC) units. See Fig. 1.

The Curtain Deflector is designed to keep window curtains away from the discharge air generated from PTAC units. See Fig. 1.

PACKAGE CONTENTS

ITEM	QUANTITY
Curtain Deflector	1
Attachment Screws	2

INSTALLATION

⚠ WARNING

Disconnect all power to unit to avoid possible electrical shock during installation.

Step 1 — Disconnect all power to unit.

Step 2 — Remove front panel from the unit by grasping the panel firmly near the bottom of both sides and pulling forward, then upward to release magnetic latches and partition hooks. See Fig. 2.

Step 3 — Remove air discharge grille by removing 2 screws on back of front panel. Save screws for later use. See Fig. 3.

Step 4 — Position discharge grille onto curtain deflector and line up holes.

NOTE: Position discharge grille for desired airflow direction.

Step 5 — Attach with 2 screws saved in Step 3. See Fig. 4.

Step 6 — Attach curtain deflector assembly to front cover using 2 screws provided. See Fig. 5-7.

Step 7 — Replace front panel.

Step 8 — Restore power to unit.

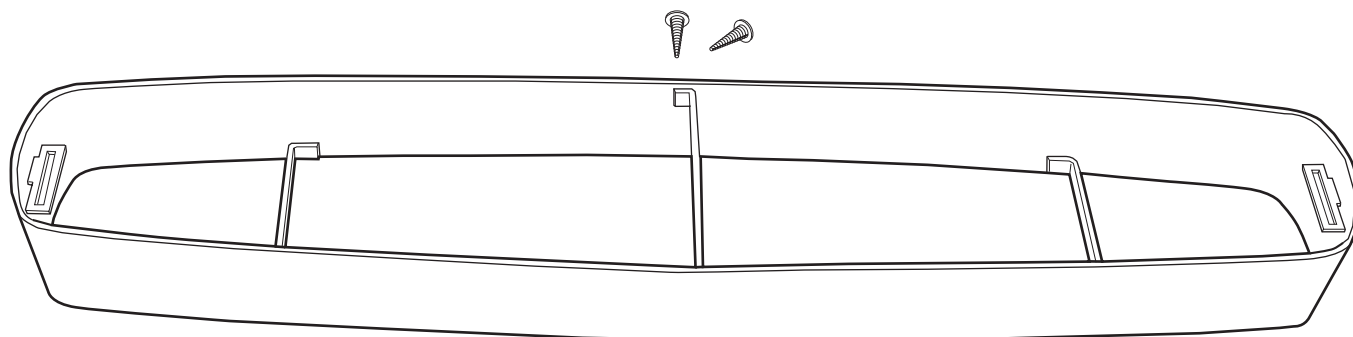


Fig. 1 — Curtain Deflector Accessory

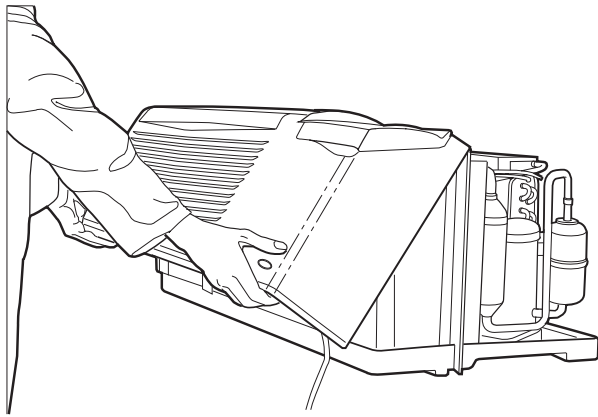


Fig. 2 — Removing Front Panel

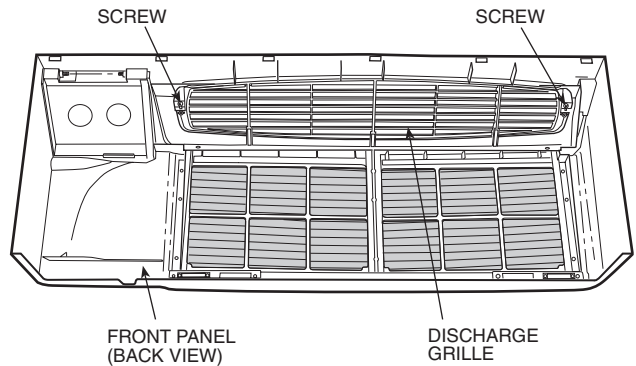


Fig. 3 — Back View of Front Panel

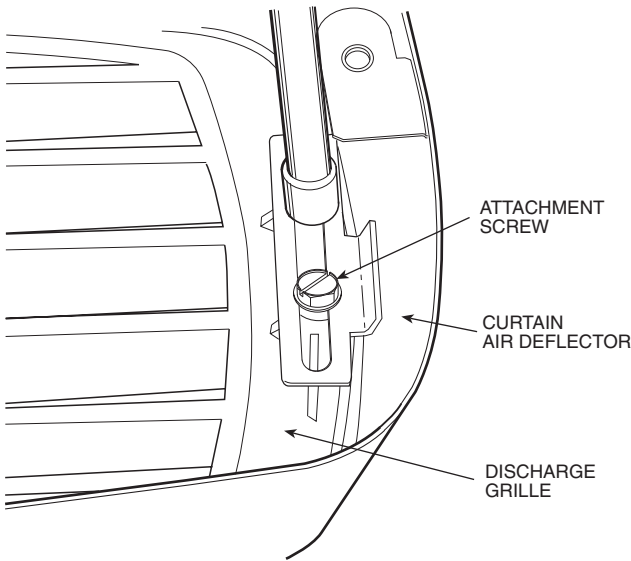


Fig. 4 — Attaching Discharge Grille to Curtain Deflector with 2 Screws

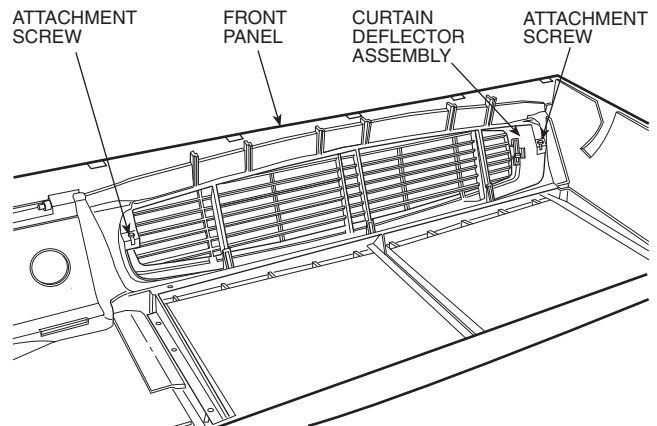


Fig. 5 — Attaching Curtain Deflector Assembly to Front Panel

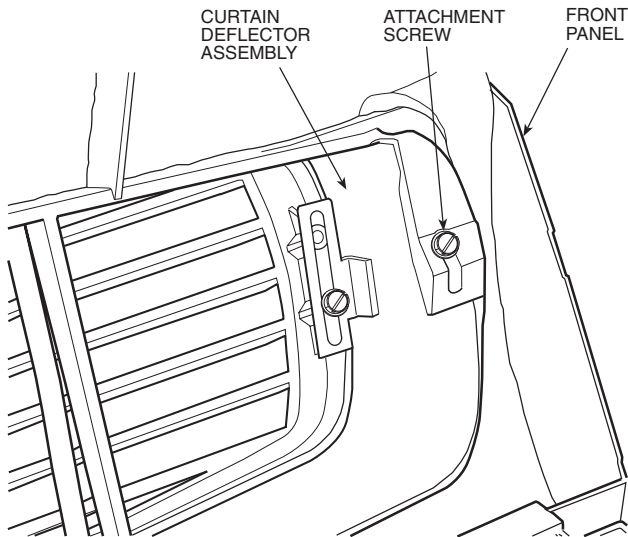


Fig. 6 — Close-Up of Location of Attachment Screw Attaching Curtain Deflector Assembly to Front Panel

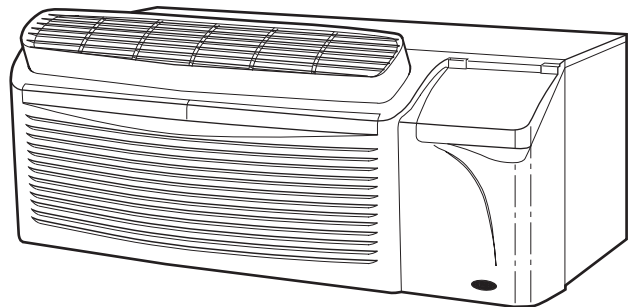


Fig. 7 — Completed Assembly