

# Climate Master Wall Sleeve Adapter Kit

## For Use With Packaged Terminal Air Conditioner or Heat Pump

Cancels: New

IHK 84-07-5  
4/15/03

## Installation Instructions

### INTRODUCTION

These instructions cover the installation of the Climate Master Wall Sleeve Adapter. The Climate Master Wall Sleeve Adapter is constructed of sheet metal and is designed to increase the depth of an existing Climate Master wall sleeve to accommodate industry standard packaged terminal air conditioning (PTAC) units. See Fig. 1.

### PACKAGE CONTENTS

ITEM	QUANTITY
Wall Sleeve Adapter	1
Attachment Screws	4
Sleeve Attachment Clips	4

### INSTALLATION

#### ⚠ WARNING

Disconnect all power to unit to avoid possible electrical shock during installation.

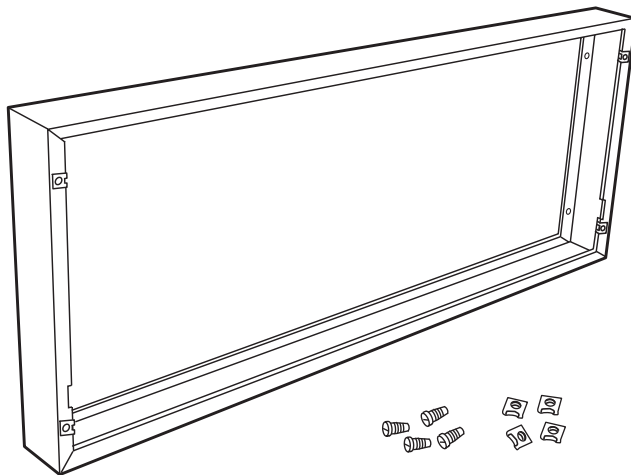


Fig. 1 — Climate Master Wall Sleeve Adapter Kit

**Step 1** — Be sure to disconnect all power to unit.

**Step 2** — Remove unit from wall sleeve. Replace any missing sleeve attachment clips with attachment clips provided in the kit.

**Step 3** — Position the adapter in front of the wall sleeve as shown in Fig. 2. Be sure foam seal on back of adapter is facing the wall sleeve and holes line up.

**Step 4** — Fasten the adapter to the wall sleeve with 4 attachment screws by driving screws from the inside of the adapter through attachment holes and into the clips mounted on the wall sleeve. See Fig. 2 and 3.

NOTE: Assembly of Climate Master Wall Sleeve Adapter kit is now complete. See Fig. 4.

**Step 5** — To install unit into sleeve, refer to instructions supplied with unit for proper unit installation and operation. Restore power to unit.

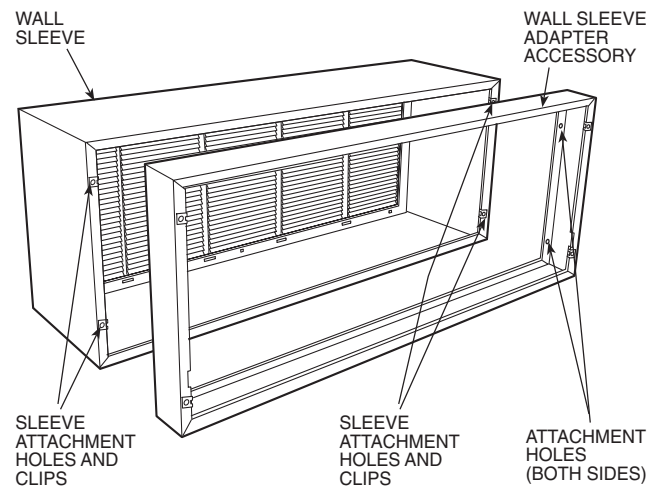
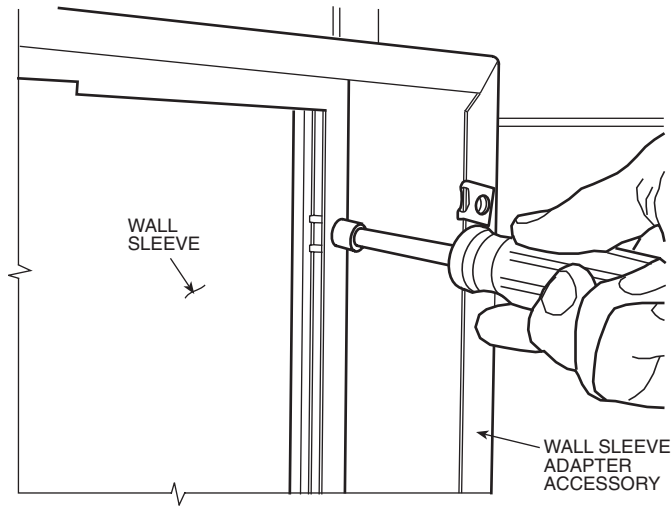
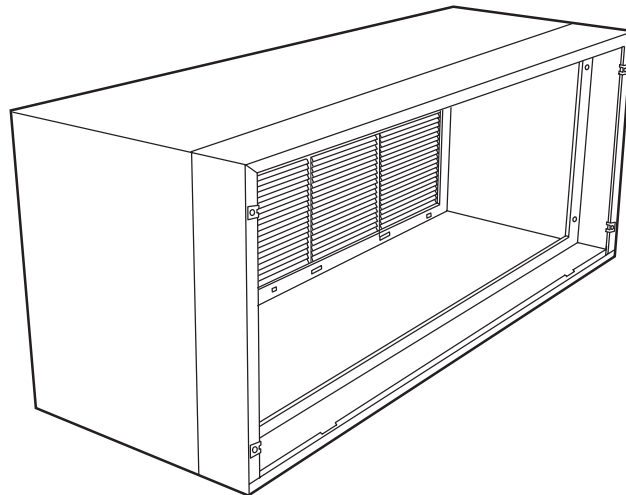


Fig. 2 — Position of Climate Master Wall Sleeve and Wall Sleeve Adapter



**Fig. 3 — Attach Climate Master Wall Sleeve Adapter to Wall Sleeve**



**Fig. 4 — Completed Climate Master Wall Sleeve and Adapter Assembly**