

# Friedrich Wall Sleeve Adapter Kit

## For Use With Packaged Terminal Air Conditioner or Heat Pump

Cancels: IIK 84-07-3

IIK 84-07-15  
4/15/06

# Installation Instructions

## INTRODUCTION

These instructions cover the installation of the Friedrich Wall Sleeve Adapter. The Friedrich Wall Sleeve Adapter is constructed of sheet metal and is designed to increase the depth of an existing Friedrich wall sleeve to accommodate industry standard packaged terminal air conditioning (PTAC) units. See Fig. 1.

## PACKAGE CONTENTS

ITEM	QUANTITY
Wall Sleeve Adapter	1
Attachment Screws	4

## INSTALLATION

### ⚠ WARNING

Disconnect all power to unit to avoid possible electrical shock during installation.

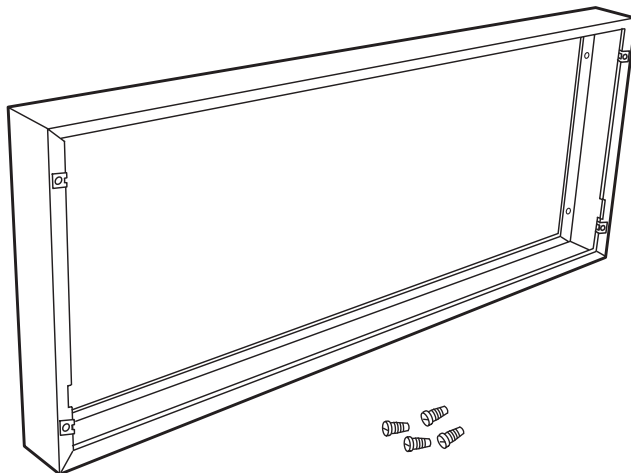


Fig. 1 — Friedrich Wall Sleeve Adapter Kit

**Step 1** — Be sure to disconnect all power to unit.

**Step 2** — Remove unit from wall sleeve.

**Step 3** — Position the adapter in front of the wall sleeve as shown in Fig. 2. Be sure foam seal on back of adapter is facing the wall sleeve and holes line up.

NOTE: Be sure to remove any existing baffles that may be installed on the inside of the outdoor grille. Failure to remove these baffles will result in an improper fit of the PTAC chassis in the sleeve.

**Step 4** — Fasten the adapter to the wall sleeve with 4 attachment screws by driving screws from the inside of the adapter through attachment holes and into the clips mounted on the wall sleeve. See Fig. 2 and 3.

NOTE: Assembly of Friedrich Wall Sleeve Adapter kit is now complete. See Fig. 4.

**Step 5** — To install unit into sleeve, refer to instructions supplied with unit for proper unit installation and operation. Restore power to unit.

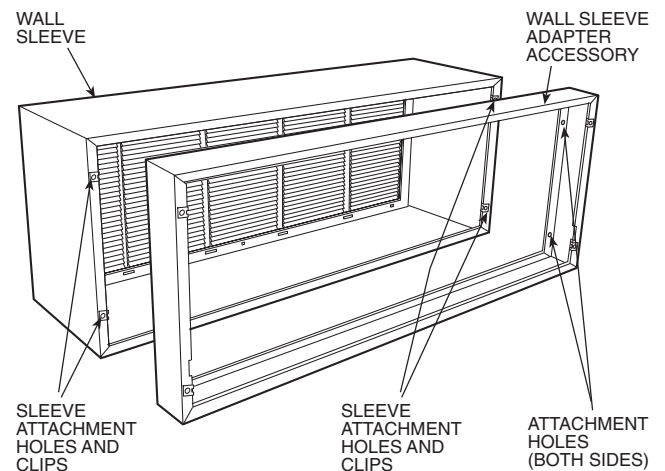
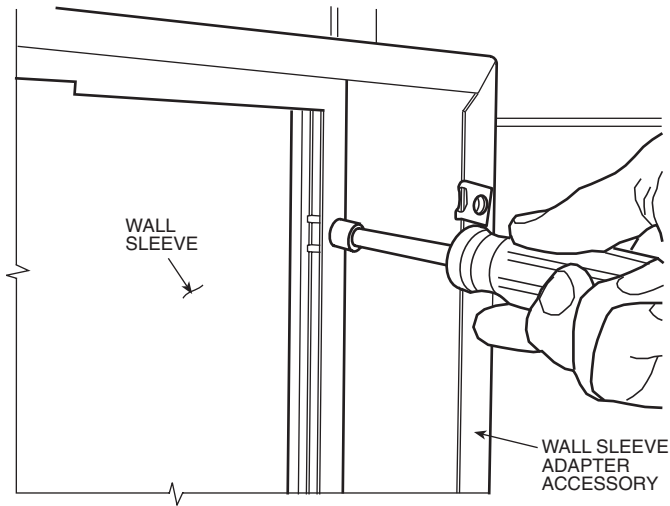
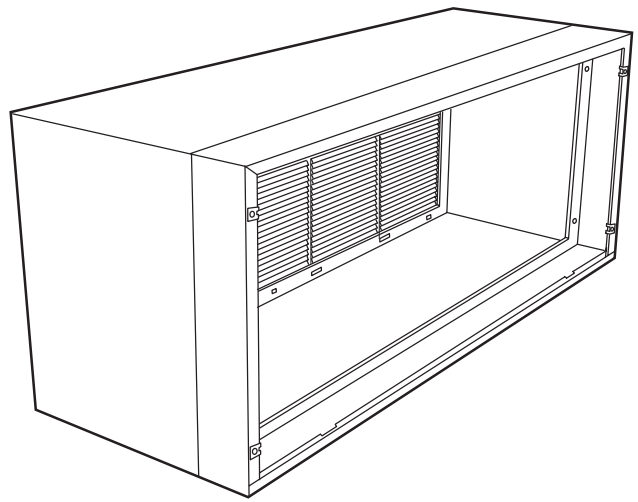


Fig. 2 — Position of Friedrich Wall Sleeve and Wall Sleeve Adapter



**Fig. 3 — Attaching Friedrich Wall Sleeve Adapter Accessory to Wall Sleeve**



**Fig. 4 — Completed Friedrich Wall Sleeve and Adapter Assembly**