

Subbase Fuse Kit Accessory For Use With Packaged Terminal Air Conditioner or Heat Pump

Installation Instructions

INTRODUCTION

These instructions cover the installation of the Subbase Fuse Kit Accessory for packaged terminal air conditioner (PTAC) or heat pump units. The fuse kit consists of fuse holders, fuses, and attachment screws. See Fig. 1.

PACKAGE CONTENTS

ITEM	QUANTITY
Fuse Holders (Buss 14)	2
Fuses (Buss 14)	2
Attachment Screws (Black)	4

GENERAL

The fuse kit consists of (2) two fuse holders with fuses (type Buss 14). See Fig. 1. The kit is available in 208/230 volt and 265 volt with ratings of 15, 20 and 30 amp and should be selected in accordance with the Maximum Overcurrent Protection listing on the unit nameplate. The fuse kit provides in-line

overcurrent protection at the unit when required by NEC (National Electrical Code) or local codes. The fuse kit is typically used if the branch circuit providing power to the unit does not have overcurrent protection. The fuse kit can only be used in conjunction with the electrical hardwired or receptacle subbase.

INSTALLATION

⚠ WARNING

Disconnect all power to unit to avoid possible electrical shock during installation.

The field-installed Fuse Kit Accessory for PTAC units is used to protect the unit from too much power input (overcurrent).

IMPORTANT: Select correct voltage and amps using maximum overcurrent protection listed on nameplate.

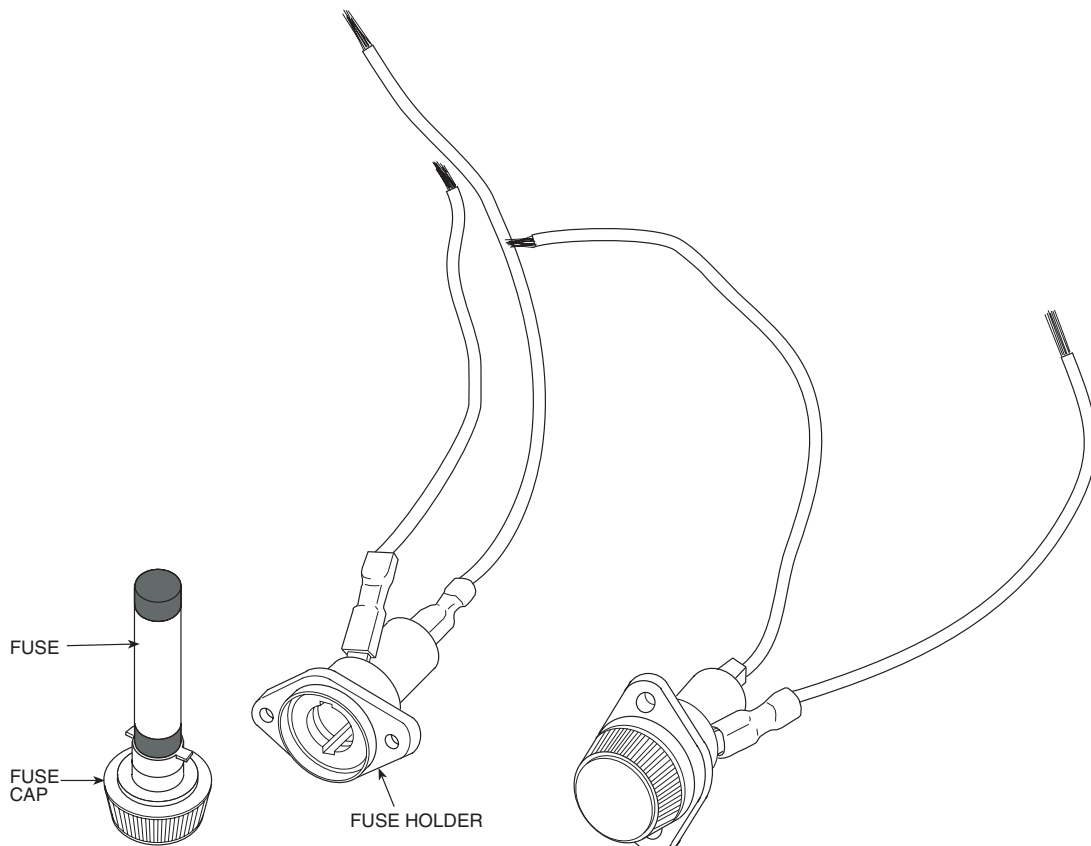


Fig. 1 — Fuse Kit Accessory Contents

Step 1 — Disconnect all power to the unit.

NOTE: If electrical or hardwired subbase is not already installed to PTAC unit, install the subbase according to instructions supplied with subbase.

Step 2 — Remove left access cover from subbase. See Fig. 2.

Step 3 — Knock out two fuse holder holes in left access cover and install fuse holders with screws supplied. See Fig. 2.

Step 4 — Connect fuses to power wiring using field-supplied wire nuts. See Fig. 3.

Step 5 — Reinstall access cover to electrical subbase.

Step 6 — Restore power to unit.

NOTE: Fuse can be replaced by turning the fuse holder 1/4 turn to open.

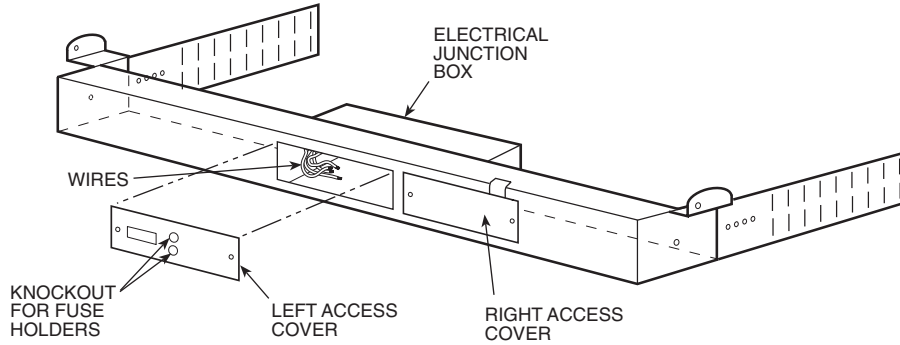
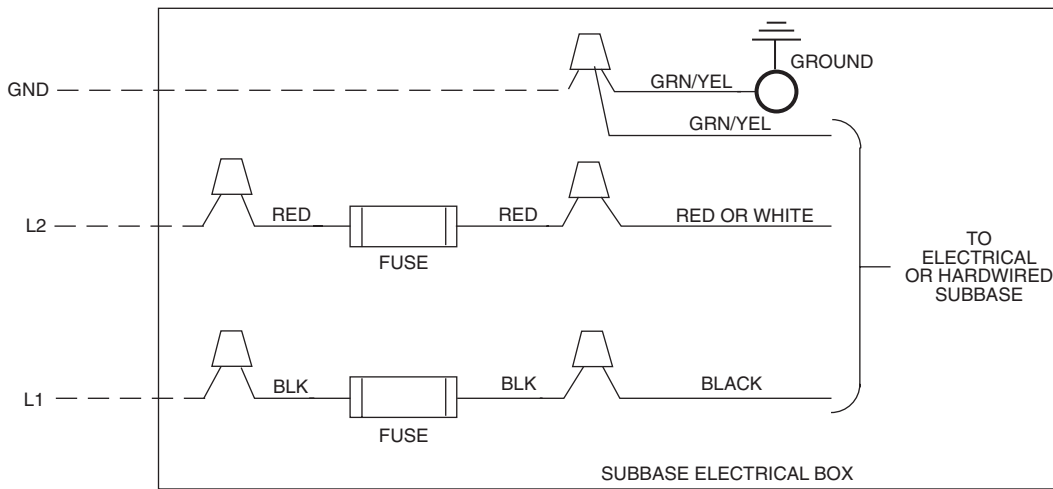


Fig. 2 — Typical Subbase Assembly



LEGEND

- Field-Supplied Wire (Power Supply)
- Factory-Supplied Wire
- △ Wire Connector
- Component Connection (Unmarked)

Fig. 3 — Fuse Kit Accessory Wiring