

# Air Deflector Accessory Kit For Use With Packaged Terminal Air Conditioner or Heat Pump

## Installation Instructions

### INTRODUCTION

These instructions cover the installation of the Air Deflector Accessory on packaged terminal air conditioning (PTAC) units. See Fig. 1.

The air deflector is installed between the front panel and discharge grille. Once installed, the accessory air deflector provides *fixed* left and/or right discharge of air.

### PACKAGE CONTENTS

| ITEM            | QUANTITY |
|-----------------|----------|
| Deflector Panel | 1        |

### INSTALLATION

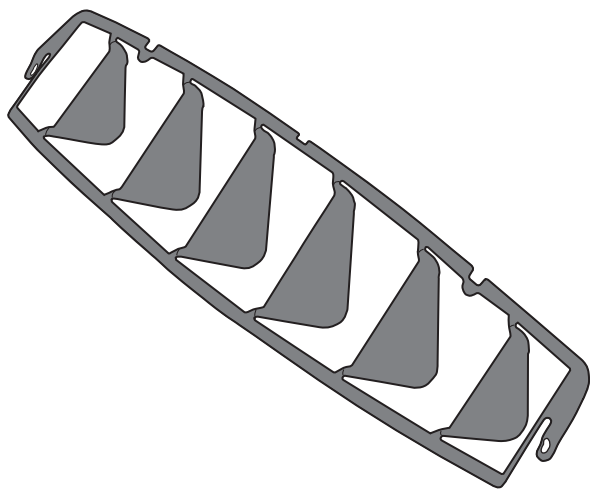
#### ⚠ WARNING

Disconnect all power to unit to avoid possible electrical shock during installation.

**Step 1** — Disconnect all power to unit.

**Step 2** — Remove front panel from the unit by grasping the panel firmly near the bottom of both sides and pulling forward, then upward to release magnetic latches and partition hooks. See Fig. 2.

**Step 3** — Remove air discharge grille by removing 2 attached screws on back of front panel. Keep screws for later use. See Fig. 3.



**Fig. 1 — Air Deflector Accessory**

**Step 4** — Position air deflector onto front side of front panel (where discharge grille was). Be sure notches are on the bottom. See Fig. 4.

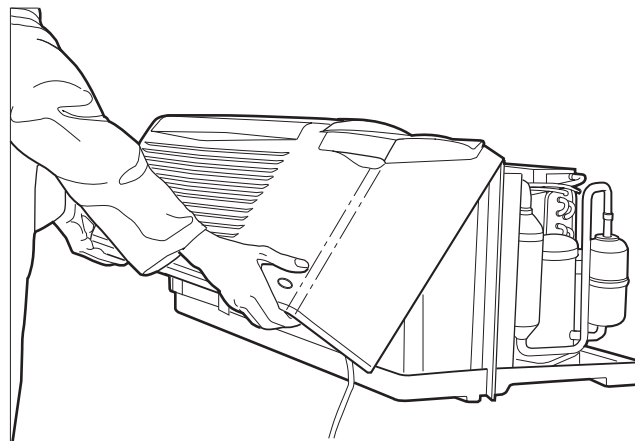
**Step 5** — Replace air discharge grille on top of air deflector and secure with 2 screws previously set aside. See Fig. 5.

NOTE: The 2 screws will attach both the discharge grille and air deflector to the front panel.

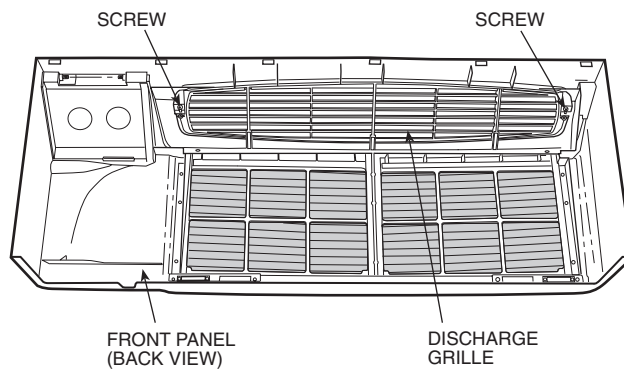
**Step 6** — Bend air direction vanes to the left or right as desired. See Fig. 5.

**Step 7** — Replace front panel. See Fig. 6 for completed assembly.

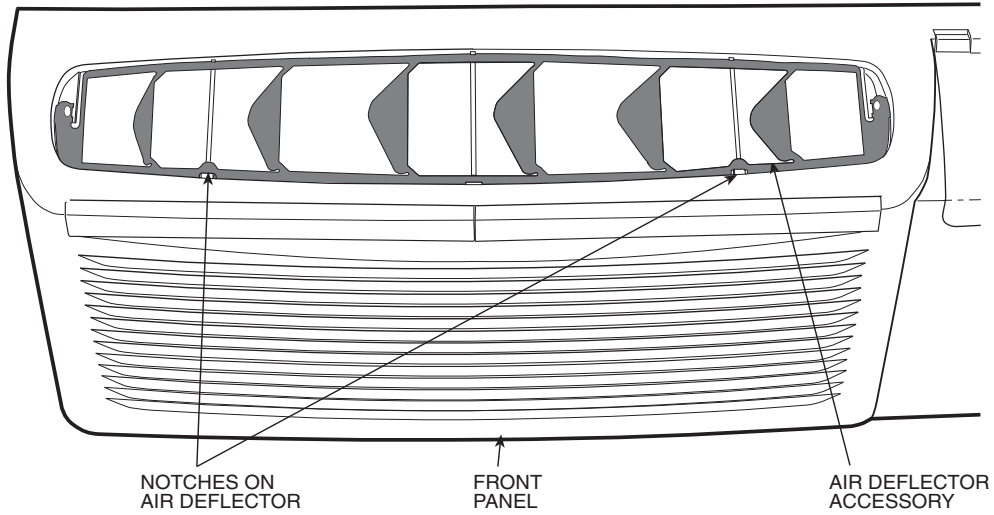
**Step 8** — Restore power to unit.



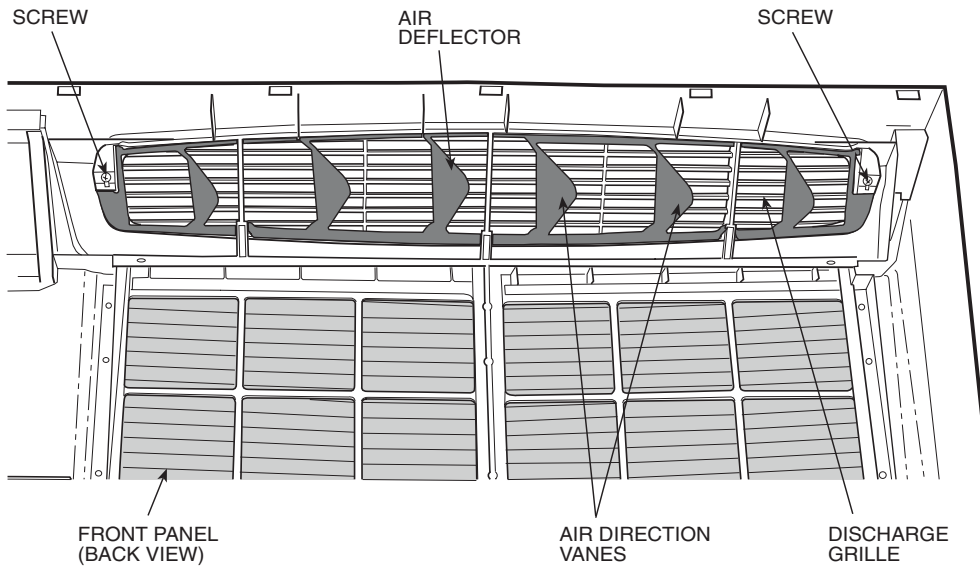
**Fig. 2 — Removing Front Panel**



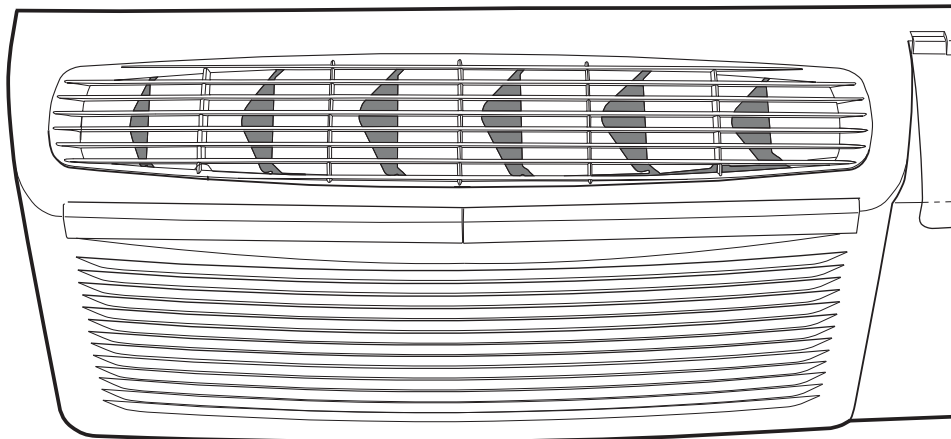
**Fig. 3 — Back View of Front Panel**



**Fig. 4 — Front View of Front Panel with Correct Position of Air Deflector**



**Fig. 5 — Back View of Front Panel with Air Deflector and Discharge Grille Installed**



**Fig. 6 — Completed Assembly (Front View)**