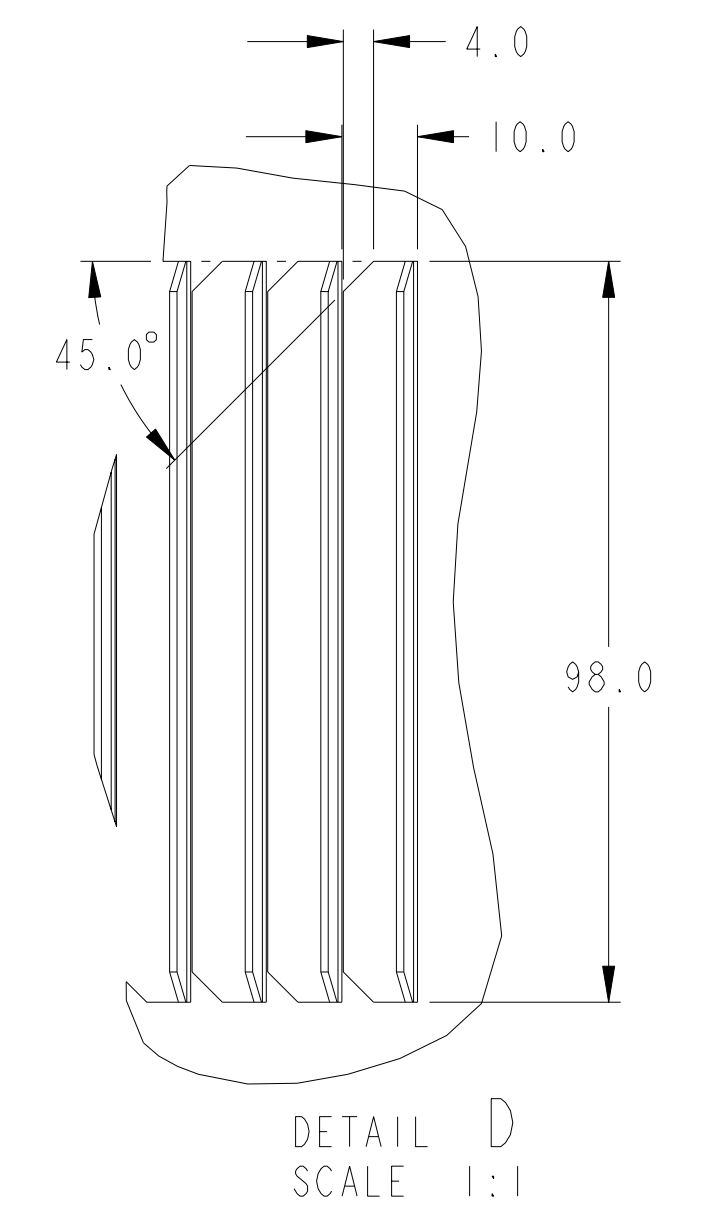
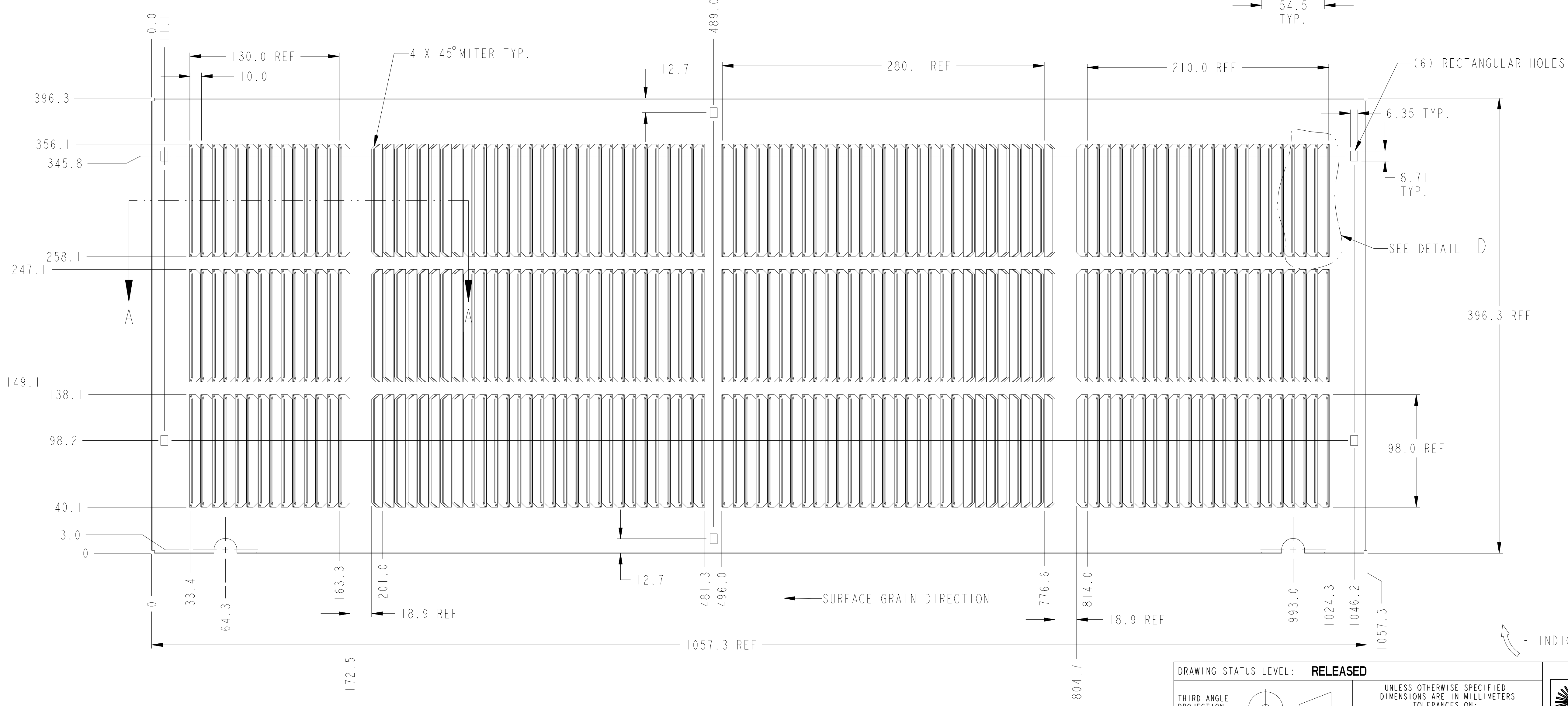
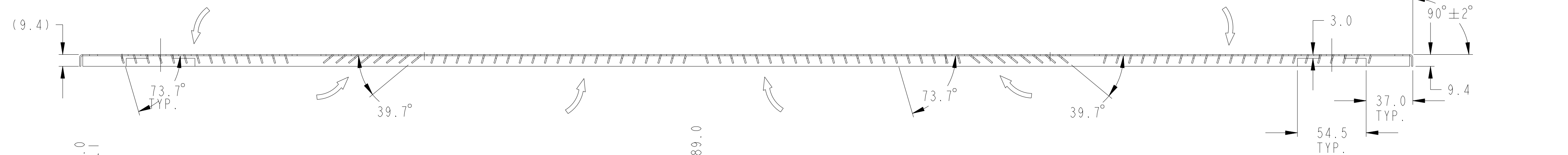
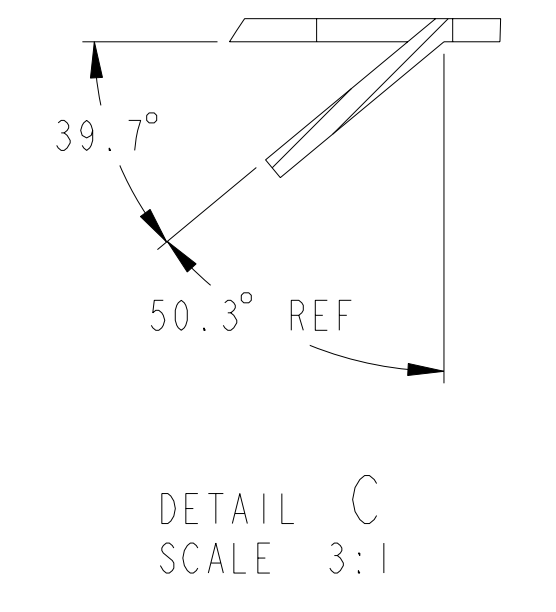
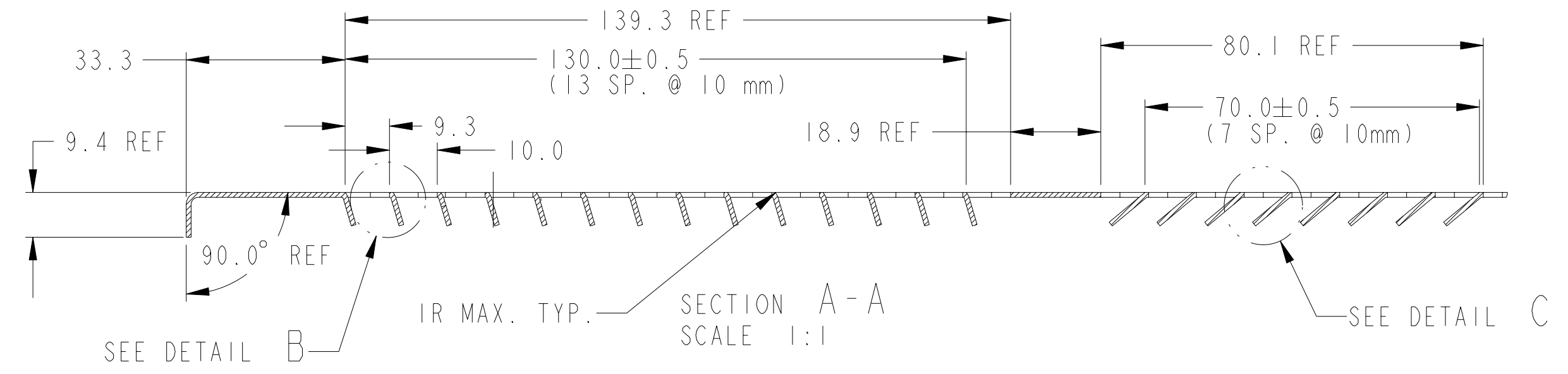
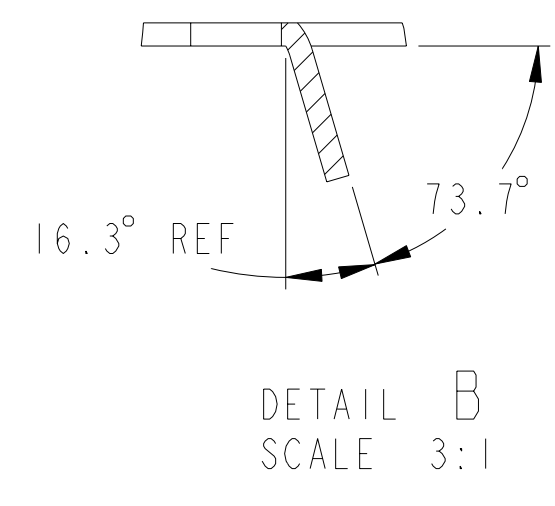


- NOTES:
 1. UNLESS OTHERWISE SPECIFIED, INSIDE RADIUS OF ALL BENDS TO BE 1.5mm.
 2. PART TO BE DECREASED.
 3. FOR REFERENCE ONLY, TO CONVERT mm TO INCHES, DIVIDE mm BY 25.4.

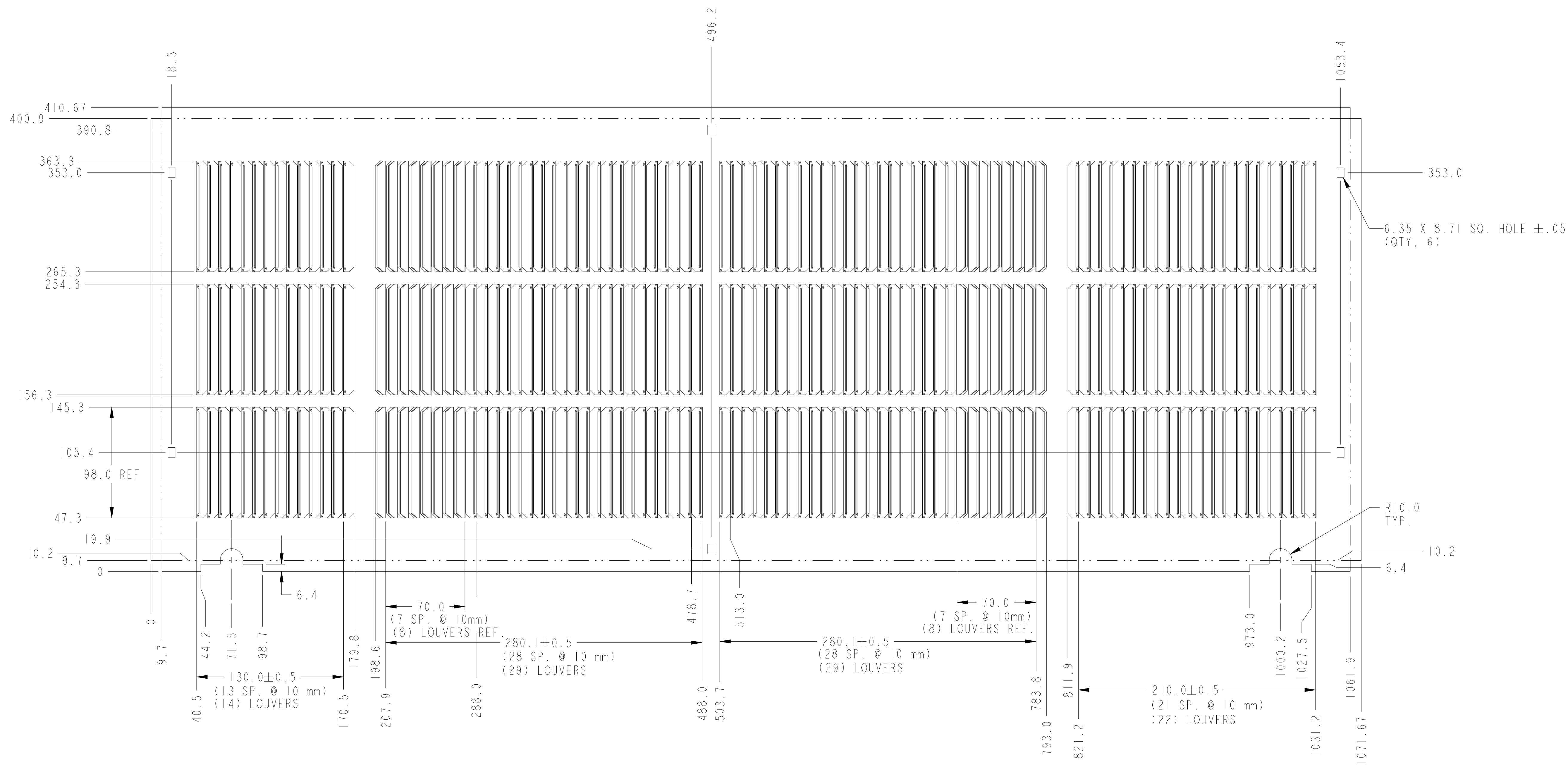


NO DEVIATION FROM THE CONSTRUCTION DEFINED BY AN APPROVED SAMPLE OR DETAILED SPECIFICATION (ON FILE IN CARRIER AIR CONDITIONING COMPANY ENGINEERING DEPARTMENT) WILL BE MADE WITHOUT WRITTEN APPROVAL FROM CARRIER AIR CONDITIONING COMPANY PURCHASING DEPARTMENT.

- INDICATES AIRFLOW DIRECTION ACROSS PART

REV	REVISION RECORD	DATE	BY	CHK'D	APP'D	NPCA NO.
A	LOUVER WIDTH 98.0 WAS 106.5; REM'D (1) SET OF LOUVERS - 130.0 REF WAS 140.0 - LEFT SIDE OF PART.	9/29/00	JLC	XXX	DFK	520204A

DRAWING STATUS LEVEL: RELEASED		THIRD ANGLE PROJECTION		UNLESS OTHERWISE SPECIFIED DIMENSIONS ARE IN MILLIMETERS TOLERANCES ON:				P.O. BOX 4808 SYRACUSE, NY 13221-4808	
MATERIAL: 1.02 mm MIN. THICK ALUMINUM ALLOY SHEET M.S. XR08-1		HOLE SPACING ± XXX		HOLE LOCATION ± XXX		AUTH NO.: 520204A		TITLE GRILLE, OUTDOOR STAMPED ALUMINUM	
APPLIED FINISH: SURFACES ✓		ENGINEERING M.C. 03/10/00		MANUFACTURING		SIZE D		DRAWING NO. 52CQ500344	
PART(S) MUST COMPLY WITH ENGINEERING REQUIREMENT(S) Y-015		PACKAGING		ELEC ENGR		NEXT DRAWING: 52CQ400354		SCALE: 1:2	
WT:		MFG/PURCH: PUR		CHK'D: JLC		8/29/00		REV A	



SEE SHEET 1 OF 2 FOR DRAWING NOTES.

DRAWING STATUS LEVEL: RELEASED		UNLESS OTHERWISE SPECIFIED DIMENSIONS ARE IN MILLIMETERS TOLERANCES ON:		UNITED TECHNOLOGIES CARRIER P.O. BOX 4808 SYRACUSE, NY 13221-4808		
THIRD ANGLE PROJECTION		0 DEC ±1.0	1 DEC ±1.0		2 DEC ±0.50	3 DEC ±0.250
MATERIAL: 1.02 mm MIN. THICK ALUMINUM ALLOY SHEET M.S. XR08-1		HOLE SPACING ± XXX	HOLE LOCATION ± XXX	THIS DOCUMENT AND THE INFORMATION CONTAINED THEREIN IS PROPRIETARY TO CARRIER CORPORATION AND SHALL NOT BE USED OR DISCLOSED TO OTHERS, IN WHOLE OR IN PART, WITHOUT THE WRITTEN AUTHORIZATION OF CARRIER CORPORATION.		
APPLIED FINISH:		SURFACES ✓		AUTH NO.: 520204A		TITLE GRILLE, OUTDOOR STAMPED ALUMINUM
PART(S) MUST COMPLY WITH ENGINEERING REQUIREMENT(S)		ENGINEERING M.C. 03/10/00	MANUFACTURING	SIZE D	DRAWING NO. 52CQ500344	REV A
WT: weight		MFG/PURCH: PUR	CHK'D: JLC	8/29/00	SCALE: 1:2	NEXT DRAWING: 52CQ400354

A	SEE SHT. 1; REMOVED (1) SET LOUVERS LEFT SIDE - 14 WAS 15.	9/29/00	JLC	XXX	DFK	520204A
REV	REVISION RECORD	DATE	BY	CHK'D	APP'D	NPCA NO.