

Stamped Aluminum Outdoor Grille Accessory For Use With Packaged Terminal Air Conditioner or Heat Pump

Cancels: New

IJK 830-06-4
9/15/00

Installation Instructions

INTRODUCTION

These instructions cover the installation of the aluminum architectural grille accessory for use with polymeric or metal wall sleeves. The grille has four mounting screws pre-set for easy attachment to the keyhole slots of the sleeve.

PACKAGE CONTENTS

| ITEM | QUANTITY |
|-------------------------------|----------|
| Aluminum Architectural Grille | 1 |
| Screws (with 4 preset) | 2 |

IMPORTANT: Improper installation of grille accessory could result in condenser (outdoor) air recirculation. This will degrade performance and shorten product life of major unit components. Manufacturer does not assume responsibility for improper installation of grille.

BEFORE INSTALLATION

1. Remove sleeve center support. See Fig. 1. If chassis is not to be installed at this time, save sleeve center support. If chassis is to be installed at this time, discard sleeve center support.
2. Remove rear closure panel by pulling side flaps toward center of sleeve and then firmly pulling rear panel toward front of sleeve.
3. Discard rear closure panel.

INSTALLATION

1. Hold grille with TOP edge up (marked on inside of top edge). The foam seal strips should be on the indoor side facing toward you. See Fig. 2.
2. Firmly grasp grille by foam seal strips and position grille to outside of wall sleeve. See Fig. 3.
3. While holding the grille, line up and insert the 4 pre-set screws into the respective keyhole slots on rear side flanges of sleeve. See Fig. 4 and 5.
4. Be sure screws are seated in the narrow end of the keyhole slots. Do NOT tighten yet.
5. Start remaining 2 screws in center plastic screw grommets.
6. Tighten all 6 screws. Installation is now complete.

NOTE: If a packaged terminal air conditioner chassis is not installed at this time, replace the corrugated center support in the sleeve. Otherwise refer to installation instructions shipped with chassis.

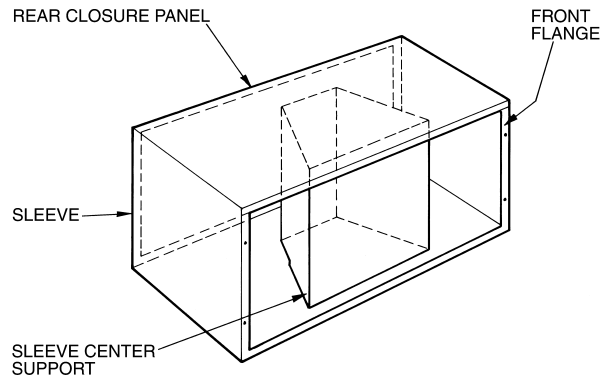


Fig. 1 — Wall Sleeve with Sleeve Center Support

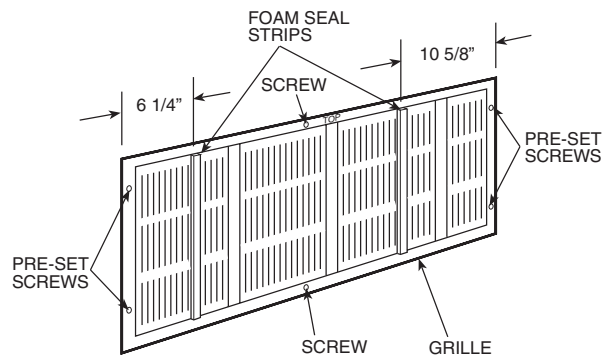


Fig. 2 — Location of Seals and Screws

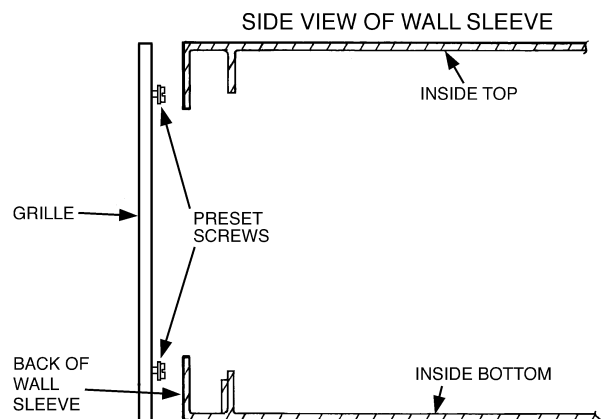


Fig. 3 — Inserting Stamped Aluminum Grille Into Wall Sleeve

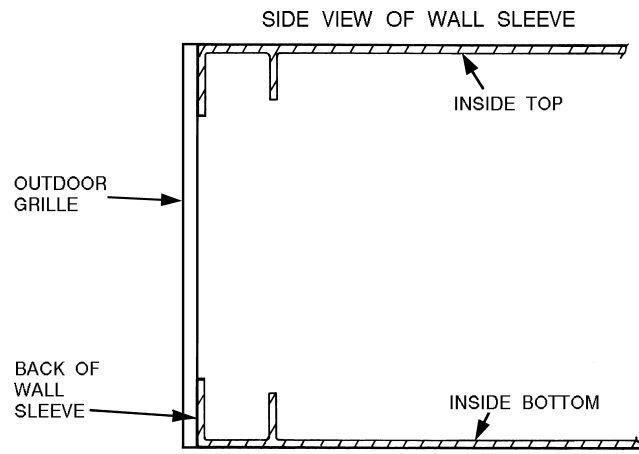


Fig. 4 — Grille Secured in Wall Sleeve

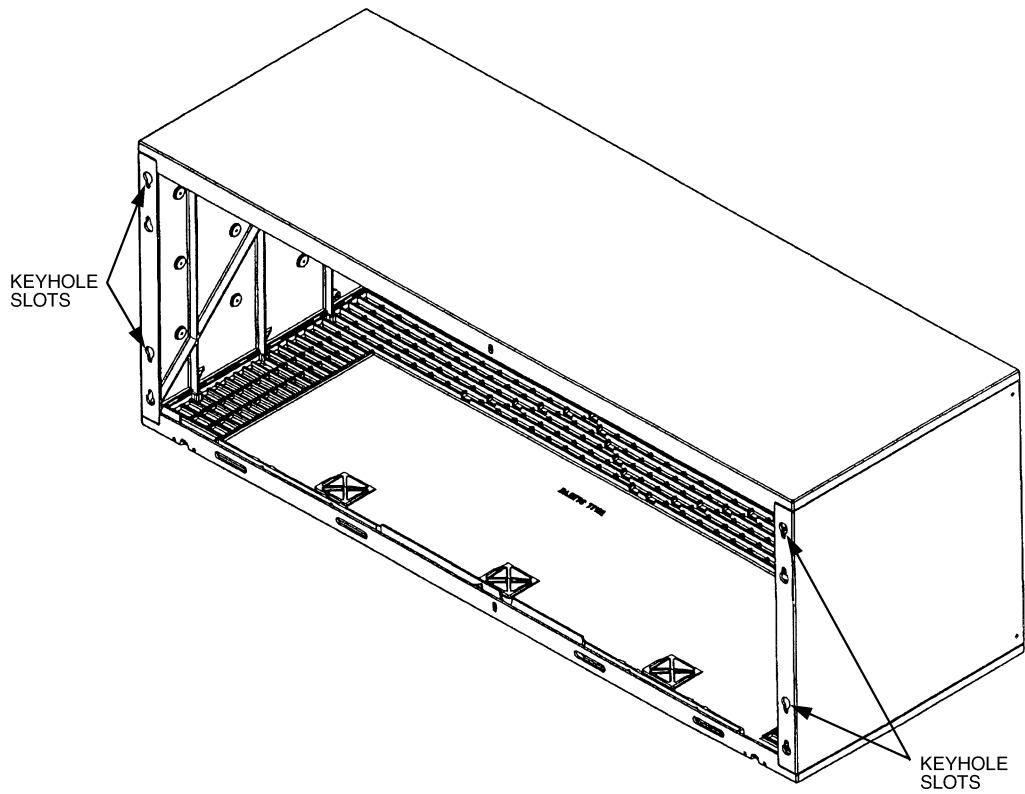


Fig. 5 — Back View of Wall Sleeve