

Aluminum Architectural Grille Accessory For Use With Packaged Terminal Air Conditioner or Heat Pump

Cancels: New

IIK 830-06-5
9/15/00

Installation Instructions

INTRODUCTION

These instructions cover the installation of the aluminum architectural grille accessory for use with polymeric or metal wall sleeves. The grille has mounting screws pre-set for easy attachment to the keyhole slots of the sleeve.

PACKAGE CONTENTS

ITEM	QUANTITY
Aluminum Architectural Grille	1

IMPORTANT: Improper installation of grille accessory could result in condenser (outdoor) air recirculation. This will degrade performance and shorten product life of major unit components. Manufacturer does not assume responsibility for improper installation of grille.

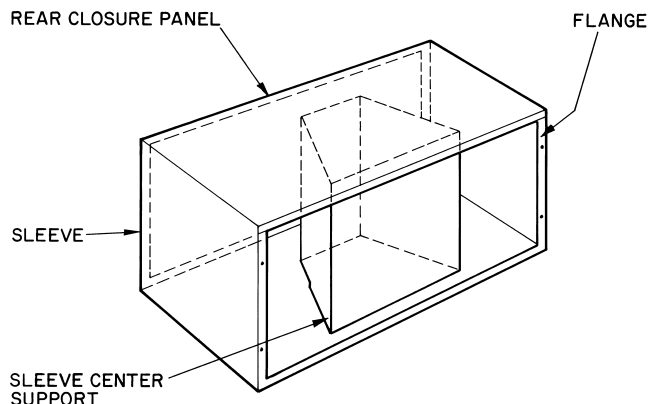


Fig. 1 — Wall Sleeve with Sleeve Center Support

BEFORE INSTALLATION

1. Remove corrugated sleeve center support. See Fig. 1. If chassis is not to be installed at this time, save sleeve center support. If chassis is to be installed at this time, discard sleeve center support.
2. Remove rear closure panel by pulling side flaps toward center of sleeve and then firmly pulling rear panel toward front of sleeve.
3. Discard rear closure panel.

INSTALLATION

1. Firmly grasp grille by foam seals and tilt grille to insert through sleeve then out the back of the sleeve. See Fig. 2.
2. While holding the grille, line up and insert the 4 screws into the respective keyhole slots on rear side flanges of sleeve. See Fig. 3 and 4.
3. Be sure screws are seated in the narrow end of the keyhole slots. Tighten the 4 screws to complete the installation.

NOTE: If a packaged terminal air conditioner chassis is not installed at this time, replace the corrugated center support in the sleeve.

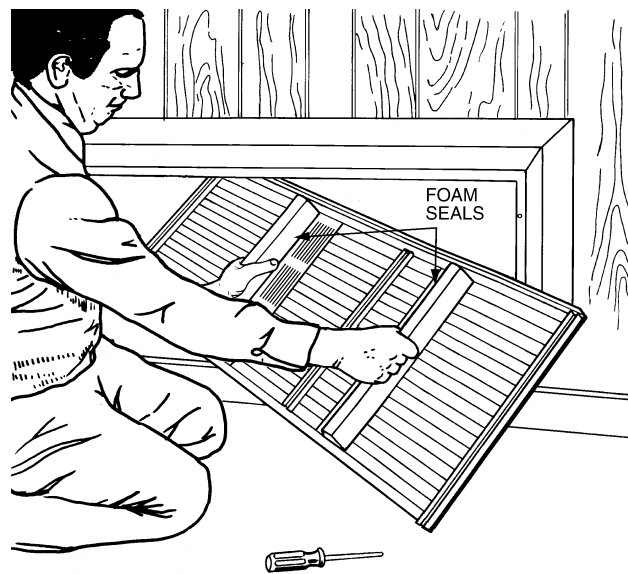


Fig. 2 — Installing Architectural Grille Accessory in Sleeve

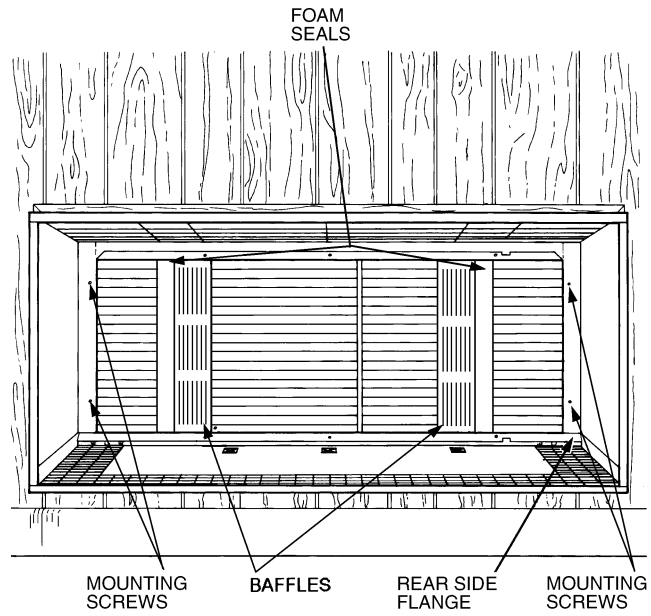


Fig. 3 — Securing Grille to Sleeve

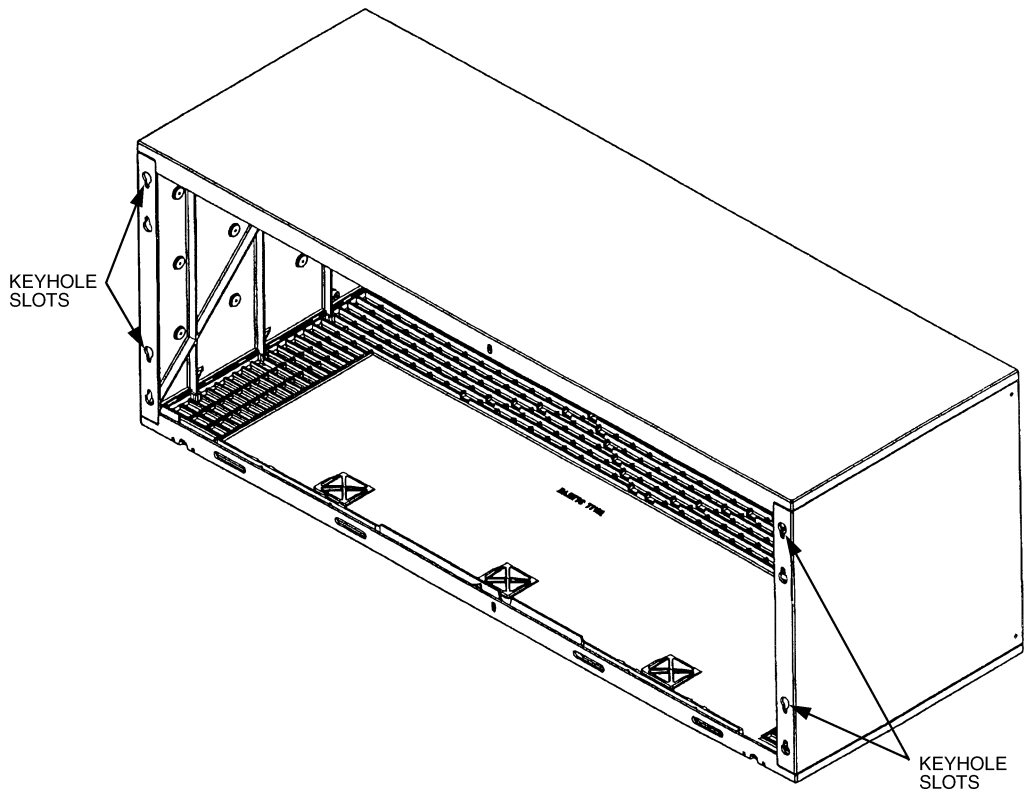


Fig. 4 — Back of Wall Sleeve