



Installation Instructions

Part Numbers: CRFANKIT001A00, CRFANKIT002A00,
CRFANKIT003A00, CRFANKIT004A00
CRFANKIT005A00, CRFANKIT006A00

GENERAL

These instructions cover the installation of the Accessory Supply-Air Fan Kit on 62AQ Energy\$Recycler units. The Accessory Supply-Air Fan Kit provides increased movement of supply air into the 62AQ Energy\$Recycler unit.

Read these installation instructions thoroughly BEFORE starting installation.

SAFETY CONSIDERATIONS

Installation of this equipment can be hazardous due to system pressures, electrical components, and equipment location. Only trained, qualified installers and service technicians should install, start up, and service this equipment. Observe all applicable precautions.

▲ WARNING

Before installation, always check to be sure main power to systems are OFF. Electrical shock can cause personal injury or death.

Refer to Table 1 for kit contents and usage.

Table 1 — Kit Contents and Usage

UNIT SIZE 62AQ	VOLTS/Ph (60 Hz)	PART NUMBER	KIT CONTENTS
060	208/230-1	CRFANKIT001A00	Fan Assembly Wire Grommet Screws (8) Wire Ties (2)
100	208/230-1	CRFANKIT002A00	
200	208/230-1	CRFANKIT003A00	Fan Assembly Wire Grommet Screws (11) Shipping Bracket Blockoff Plate Wire Ties (2)
	208/230-3	CRFANKIT003A00	
	460-3	CRFANKIT004A00	
300	208/230-3	CRFANKIT005A00	
	460-3	CRFANKIT006A00	

NOTES:

1. The Fan Assembly includes mounting flange, blower housing, blower wheel, removable orifice ring, motor mount, motor, capacitor, capacitor boot, and capacitor mounting strap. It is shipped pre-assembled.
2. The fan assembly dimensions differ per fan kit installation requirements.

INSTALLATION

All Supply-Air Fan Kit Models

1. Unpack accessory kit contents from carton. Check to be sure contents are not damaged or missing. See Table 1.
2. Remove all power to units.

Supply-Air Fan Kit Model CRFANKIT001A00 and CRFANKIT002A00

INSTALLATION BEFORE ATTACHING 62AQ UNIT TO ROOFTOP UNIT (RTU):

1. Remove top cover and supply blower access panel from 62AQ unit.
2. Cut and remove wire tie holding the 24-volt control harness in place. Move harness aside.
3. Cut wire tie holding power wires to coil tube sheet.
4. Remove caps from 1/4-in. female quick connects.
5. The Supply-Air Fan kit fan assembly is shipped pre-assembled. See Fig. 1. Put assembly in place as shown in Fig. 2 and secure to unit with 4 screws in the mounting flange, 2 screws in the blower housing, and 2 screws in the support bracket.
6. Install wire grommet and route 24-volt control wire through the grommet.
7. Route yellow power wire coming from the 62AQ unit to one capacitor terminal. Route the yellow wire coming from the motor to the same capacitor terminal. Route the brown wire coming from the motor to the opposite capacitor terminal.
8. Attach black power wire to desired speed tap on motor. See Table 2.
9. Dress wires and secure to motor mount with wire ties.
10. Replace unit top cover and supply blower access panel.
11. Continue with 62AQ unit installation.

Table 2 — Speed Taps

SPEED	TAP	
	CRFANKIT001A00, CRFANKIT002A00	CRFANKIT003A00, CRFANKIT004A00, CRFANKIT005A00, CRFANKIT006A00
LOW	3	RED
MEDIUM	2	BLUE
HIGH	1	BLACK

INSTALLATION AFTER ATTACHING 62AQ UNIT TO RTU:

1. Remove power supply. Remove supply blower panel (2 screws), filter access panel, and center post (8 screws) from 62AQ unit. Save screws.
2. Cut and remove wire tie holding 24-volt control harness in place. Move harness aside.
3. Cut wire tie holding power wires to coil tube sheet.
4. Remove caps from 1/4-in. female quick connects.

5. Remove mounting flange from fan assembly (2 screws) and position flange in place to mount to unit. Position wire grommet and route 24-volt control wires through grommet. Secure mounting flange to unit with 4 screws.
6. Slide blower assembly in place and secure to unit with 4 screws through housing, and 2 screws in support bracket.
7. Route yellow power wire coming from the 62AQ unit to one capacitor terminal. Route the yellow wire coming from the motor to the same capacitor terminal. Route the brown wire coming from the motor to the opposite capacitor terminal.
8. Attach black power wire to desired speed tap on motor. See Table 2.
9. Dress wires and secure to motor mount with wire ties.
10. Replace panels removed in Step 1 and restore unit power.

Supply-Air Fan Kit Model CRFANKIT003A00, CRFANKIT004A00, CRFANKIT005A00 and CRFANKIT006A00

INSTALLATION BEFORE ATTACHING 62AQ UNIT TO ROOFTOP UNIT (RTU):

1. Remove supply blower access panel from 62AQ unit.
2. Cut and remove wire tie holding the 24-volt control harness in place. Move harness aside.
3. Cut wire tie holding power wires to coil tube sheet.
4. Install block-off panel to main unit using 4 screws while making sure 24-volt control wires are fed through the grommet and notch in block-off panel.
5. The Supply-Air Fan kit fan assembly is shipped pre-assembled. See Fig. 1. Put assembly in place as shown in Fig. 2.
6. Slide blower assembly in place and secure to unit using 4 screws.
7. Once blower is in place, secure one side of the shipping bracket to the blower using 2 screws. Secure the other side of the shipping bracket to the base of the fan.
8. Route yellow power wire coming from the 62AQ unit to one capacitor terminal. Route the yellow wire coming from the motor to the same capacitor terminal. Route the

brown wire coming from the motor to the opposite capacitor terminal.

9. Attach black power wire to desired speed tap on motor. See Table 2.
10. Dress wires and secure to motor mount with wire ties.
11. Replace unit top cover and supply blower access panel.
12. Continue with 62AQ unit installation.

INSTALLATION AFTER ATTACHING 62AQ UNIT TO RTU:

1. Remove power supply. Remove supply blower access panel, economizer panel, filter access panel, and filter rack from 62AQ unit.
2. Cut and remove wire tie holding 24-volt control harness in place. Move harness aside.
3. Cut wire tie holding power wires to coil tube sheet.
4. Remove upper self-drilling screws in the area of the blower opening and slide block-off panel into place. Be sure 24-volt control wires are fed through grommet and notch in the block-off panel. Re-install only the self-drilling screws in the area of the block-off plate, connecting the plate between the 62AQ unit and RTU.
5. The Supply-Air Fan kit fan assembly is shipped pre-assembled. See Fig. 1. Put assembly in place as shown in Fig. 2.
6. Slide blower assembly in place and secure to unit with remaining self-drilling screws.
7. Once blower is in place, secure one side of the shipping bracket to the blower using 2 screws. Secure the other side of the shipping bracket to the base of the fan.
8. Route yellow power wire coming from the 62AQ unit to one capacitor terminal. Route the yellow wire coming from the motor to the same capacitor terminal. Route the brown wire coming from the motor to the opposite capacitor terminal.
9. Attach black power wire to desired speed tap on motor. See Table 2.
10. Dress wires and secure to motor mount with wire ties.
11. Replace panels removed in Step 1 and restore unit power.

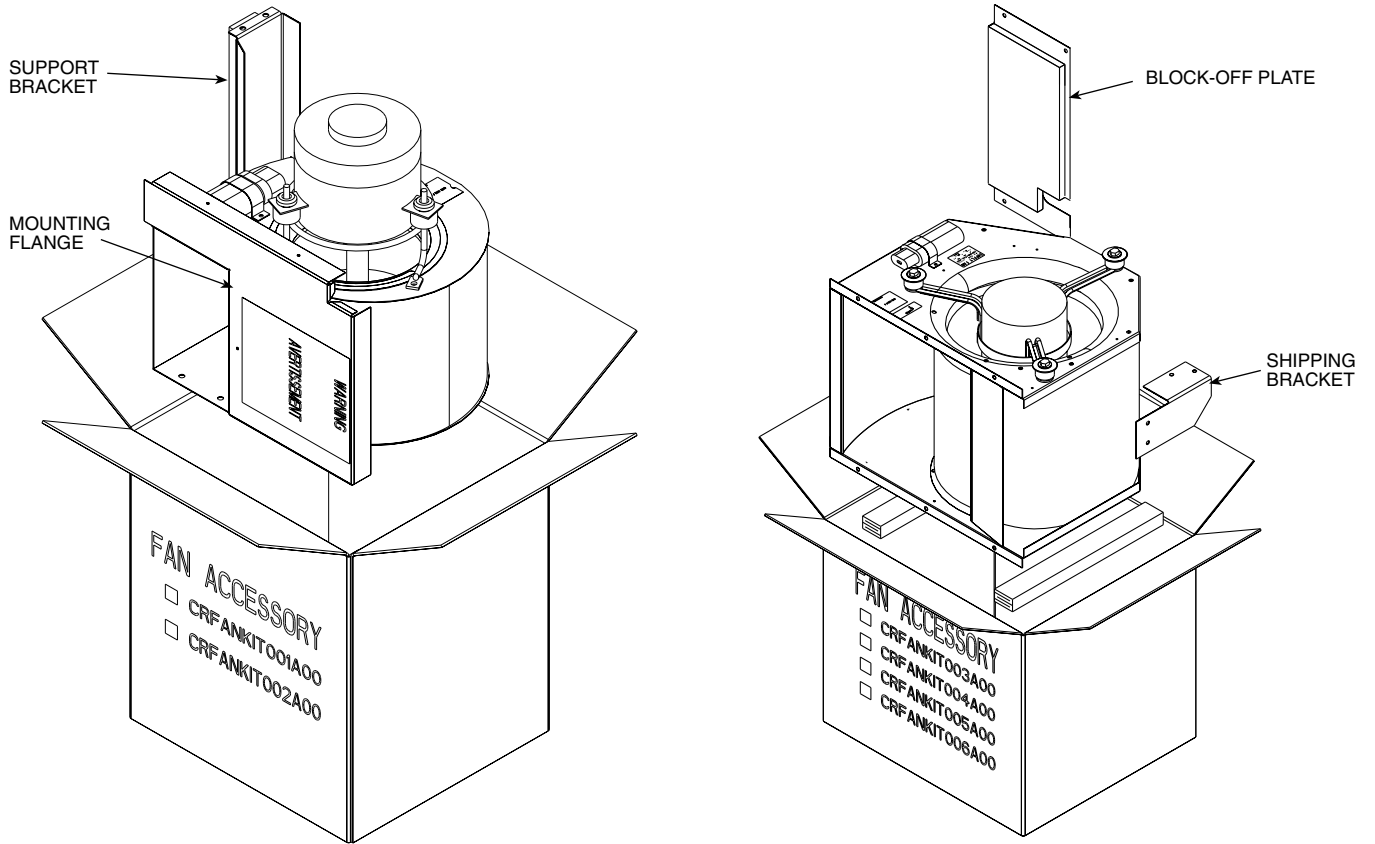


Fig. 1 — Accessory Supply Air Fan Kits

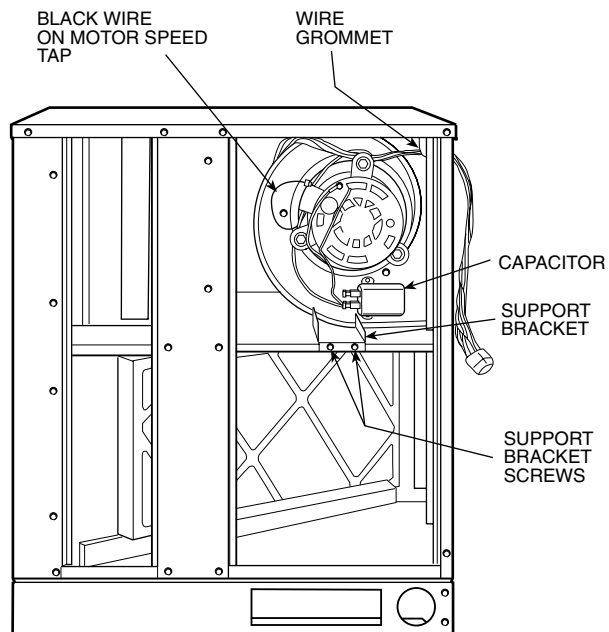


Fig. 2 — Typical Fan Assembly Installation (CRFANKIT001A00, CRFANKIT002A00 Shown)

