

Installation Instructions

High Altitude Pressure Switch Kit For 2-Stage and Variable Speed, 33.3 Inch Multipoise, Non-Condensing Furnaces

KGAHA5801PSW

NOTE: Read the entire instruction manual before starting the installation.


SAFETY CONSIDERATIONS

Installing and servicing heating equipment can be hazardous due to gas and electrical components. Only trained and qualified service personnel should install, repair, or service heating equipment.

Untrained personnel can perform basic maintenance functions such as cleaning coils, or cleaning and replacing filters. All other operations should be performed by trained service personnel. When working on heating equipment, observe precautions in literature, on tags, and on labels attached to or shipped with the unit, and other safety precautions that may apply.

Follow all safety codes.

Wear safety glasses and work gloves. Have a fire extinguisher available during start-up, adjustment procedures, and service calls.

Recognize safety information. This is the safety-alert symbol  When you see this symbol on the furnace and in instructions or manuals, be alert to the potential for personal injury.

Understand the signal words DANGER, WARNING, CAUTION, and NOTE. The words DANGER, WARNING, and CAUTION are used with the safety-alert symbol. DANGER identifies the most serious hazards which **will** result in severe personal injury or death. WARNING signifies hazards which **could** result in personal injury or death. CAUTION is used to identify unsafe practices which **would** result in minor personal injury, or product and property damage. NOTE is used to highlight suggestions which **will** result in enhanced installation, reliability, or operation.

INTRODUCTION

This instruction covers the installation of high-altitude pressure switch kit KGAHA5801PSW in the 2-speed and variable-speed, 80% AFUE, 33.3-inch high, induced-combustion furnaces. The switch set points are shown on the label attached to the front of the switch.

DESCRIPTION AND USAGE

This high-altitude pressure switch kit is required for the installation of the 2-speed and variable-speed, 80% AFUE furnaces when installed with a Category I vent systems at altitudes equal to or higher than 5500 ft above sea level.

This kit is used to replace **ONLY** the high-fire pressure switch. The low-fire pressure switch does not require replacement and will operate at altitudes up to 10,000 feet above sea level.

This kit is required for the following furnaces:

58CTA	58CVA	312AAV	315AAV
58CTX	58CVX	312JAV	315JAV

PROCEDURE 1—INSTALLATION OF PRESSURE SWITCH ASSEMBLY

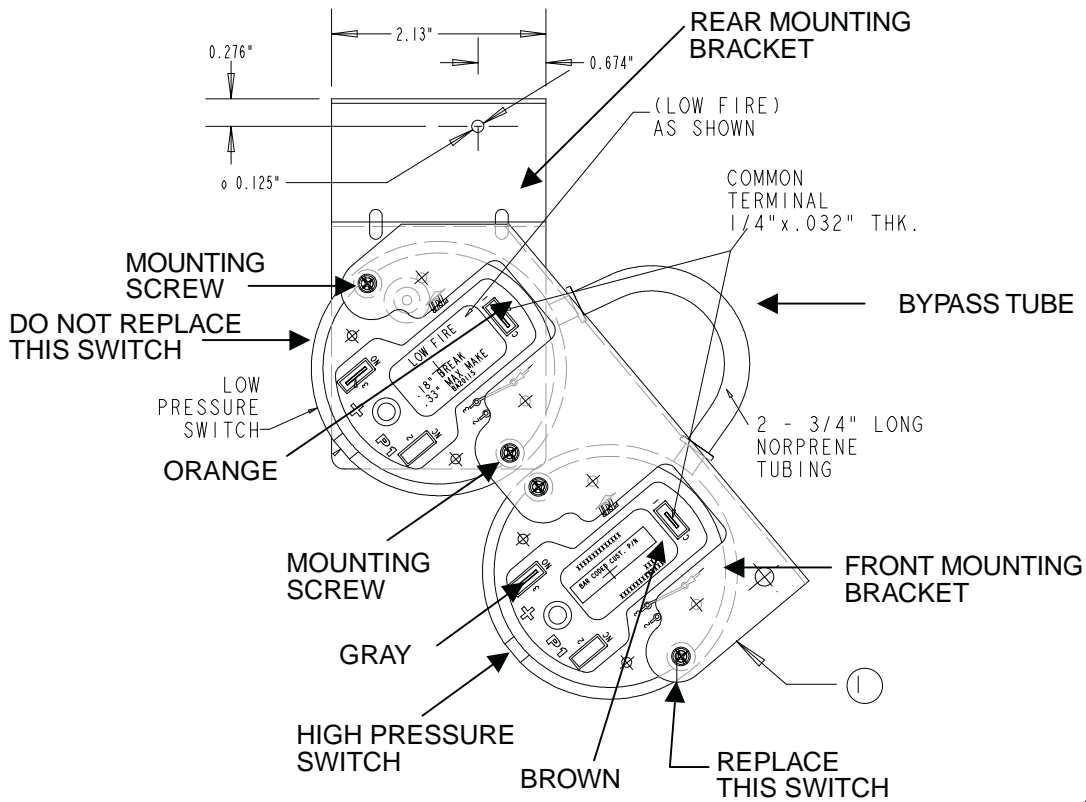
1. Mark two (2) wires connected to the high-fire pressure switch.
2. Disconnect the two (2) wires from the high-fire pressure switch.
3. Disconnect the bypass tube from the high-fire pressure switch.
4. Remove the two (2) screws from the front mounting bracket on the high-fire pressure switch (see Fig 1).
5. Remove existing high-fire pressure switch from the front mounting bracket.
6. Install new high altitude high-fire pressure switch to the front mounting bracket with two (2) screws.
7. Connect the bypass tube to the high altitude high-fire switch.

NOTE: Replacement switch is shipped with a new bypass tube. Remove and discard if existing tube is not cracked or torn.

8. Reconnect wires to the switch as shown in Fig. 1 or refer to the furnace wiring diagram.
9. Check furnace for proper operation (refer to furnace Installation Instructions).
11. Install pressure switch assembly to furnace casing.

PROCEDURE 2—DERATING INPUT

The gas inputs on rating plate are for altitudes up to 2000 ft above sea level. Ratings for altitudes over 2000 ft must be 4 percent less for each 1000 ft above sea level. In Canada, see furnace Installation Instructions for details on derating input.



A02243

Fig. 1-Pressure Switch