

Installation Instructions

Subbase Kit Downflow Furnace Subbase for Use on Combustible Floors

KGASB0201ALL



NOTE: Read the entire instruction manual before starting the installation.

This symbol → indicates a change since the last issue.


INTRODUCTION

This instruction covers installation of floor subbase Part No. KGASB0201ALL for use with downflow gas furnaces. The design of the subbase is A.G.A. certified for use with a downflow gas furnace.

SAFETY CONSIDERATIONS

Installing and servicing heating equipment can be hazardous due to gas and electrical components. Only trained and qualified personnel should install, repair, or service heating equipment.

Untrained personnel can perform basic maintenance functions such as cleaning and replacing air filters. All other operations must be performed by trained service personnel. When working on heating equipment, observe precautions in the literature, on tags, and on labels attached to or shipped with the unit and other safety precautions that may apply.

Recognize safety information. This is the safety-alert symbol . When you see this symbol on the furnace and in instructions or manuals, be alert to the potential for personal injury.

Understand the signal words DANGER, WARNING, and CAUTION. These words are used with the safety-alert symbol. DANGER identifies the most serious hazards which **will** result in severe personal injury or death. WARNING signifies a hazard which **could** result in personal injury or death. CAUTION is used to identify unsafe practices which **may** result in minor personal injury or product and property damage.

DESCRIPTION AND USAGE

In downflow installations, the manufacturer's accessory floor base must be used when installing a downflow gas furnace on combustible materials and wood flooring. Special base is not required when the furnace is installed on manufacturer's Coil Assembly Part No. CD5 or CK5, or when Coil Box Part No. KCAKC is used.

The subbase kit, when properly installed, will allow safe installation of the furnace.

The kit contains the following items:

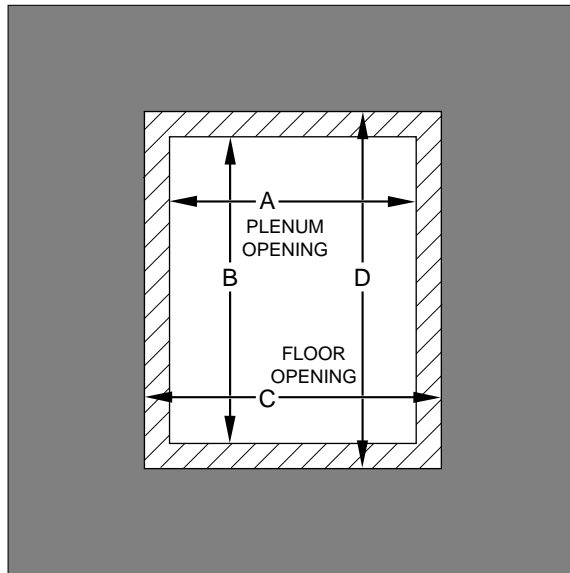
Side rail	2
Insulation strips (1-1/4 in. X 92 in.)	3
Locating tab (1 in. X 2-1/2 in.)	2
Screw	4
Double-sided tape (3/4 in. X 23 ft)	1
Installation Instructions	1

INSTALLATION

1. Cut and frame hole in floor according to dimensions in Table 1 and Fig. 1.
2. Assemble floor subbase.
 - a. Arrange base parts as shown in Fig. 2.
 - b. Assemble front and rear adjustable rails. See Table 1 for selection of screw holes for width adjustment. The hole number must correspond to the size furnace being installed.

NOTE: Each successive hole in the adjustable rail must be matched with the same numbered hole of the opposite rail, first hole to first hole, second hole to second hole, etc. (See Table 1 and Fig. 2.)

- c. Fasten rails together with screws provided in kit. (See Fig. 2.)
3. Install factory-supplied strips of insulation on top and bottom sides of adjustable rails. (See Fig. 3.)



A96283

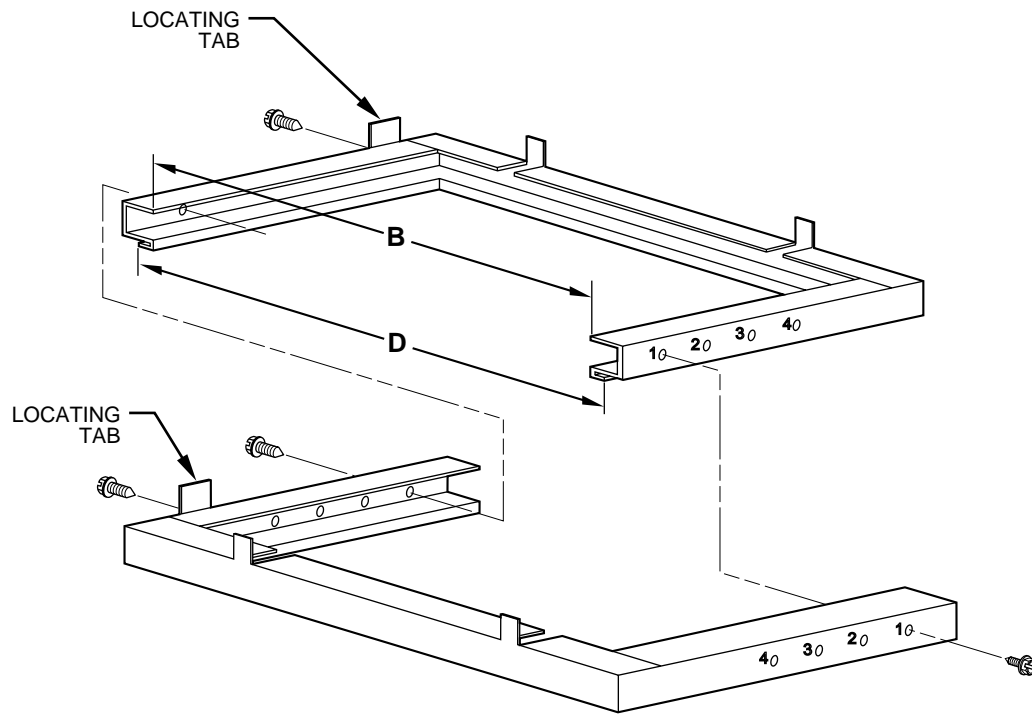
Fig. 1—Floor and Plenum Opening Dimensions

Table 1—Opening Dimensions (In.)

FURNACE CASING WIDTH	APPLICATION	PLENUM OPENING		FLOOR OPENING	
		A	B	C	D
14-3/16	Non-Combustible Flooring	12-11/16	19	13-3/8	19-5/8
	Combustible Flooring Using KGASB Subbase	11-13/16	19	13-7/16	20-3/8
	Combustible Flooring with CD5 or CK5 Coil Assembly or KCAKC Coil Box	12-5/16	19	13-5/16	20
17-1/2	Non-Combustible Flooring	16	19	16-5/8	19-5/8
	Combustible Flooring Using KGASB Subbase	15-1/8	19	16-3/4	20-3/8
	Combustible Flooring with CD5 or CK5 Coil Assembly or KCAKC Coil Box	15-1/2	19	16-1/2	20
21	Non-Combustible Flooring	19-1/2	19	20-1/8	19-5/8
	Combustible Flooring Using KGASB Subbase	18-5/8	19	20-1/4	20-3/8
	Combustible Flooring with CD5 or CK5 Coil Assembly or KCAKC Coil Box	19	19	20	20
24-1/2	Non-Combustible Flooring	23	19	23-5/8	19-5/8
	Combustible Flooring Using KGASB Subbase	22-1/8	19	23-3/4	20-3/8
	Combustible Flooring with CD5 or CK5 Coil Assembly or KCAKC Coil Box	22-1/2	19	23-1/2	20

- a. Cut double-sided adhesive tape to proper length.
 - b. Apply double-sided adhesive tape to top and bottom of adjustable rails.
 - c. Cut insulation to proper length.
 - d. Remove protective backing from double-sided tape to expose adhesive.
 - e. Apply strips of insulation to adhesive tape. Insulation must be properly installed to ensure an adequate seal and prevent air leakage between floor and base, and base and plenum. (See Fig. 3.)
4. Install subbase over hole cut in floor. Locating tabs on subbase MUST be at sides and back of furnace when installed. (See Fig. 2.)
 5. Install plenum into floor subbase assembly.

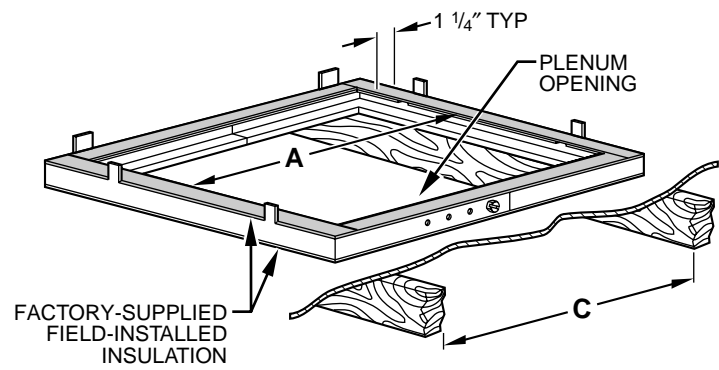
NOTE: The flange around the plenum top should be 1-1/4-in. maximum, 7/8-in. minimum to provide an adequate seal between the furnace or coil casing and the plenum.



A88207

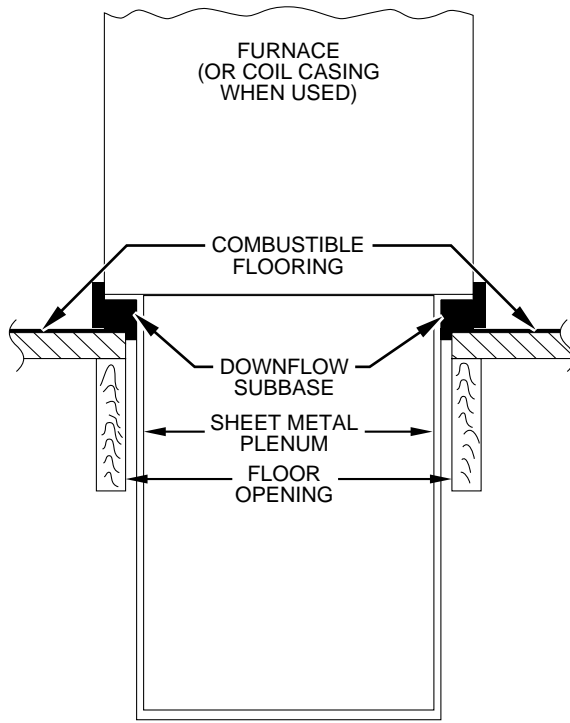
Fig. 2—Disassembled Floor Subbase

6. Install factory-supplied strips of insulation to plenum top. (See Fig. 4.)
 - a. Cut double-sided adhesive tape to proper length.
 - b. Apply double-sided adhesive tape to top of plenum flange.
 - c. Cut insulation to proper length.
 - d. Remove protective backing from double-sided tape to expose adhesive.
 - e. Apply insulation to adhesive tape. Insulation must be properly installed to ensure an adequate seal and prevent air leakage between plenum and furnace. (See Fig. 4.)
7. Refer to the furnace Installation Instructions to complete the furnace installation.



→ **Fig. 3—Installed Floor Subbase**

A97427



→ Fig. 4—Installed Furnace on Subbase and Plenum

A96285