

I0-EXWSS

ON 9MD

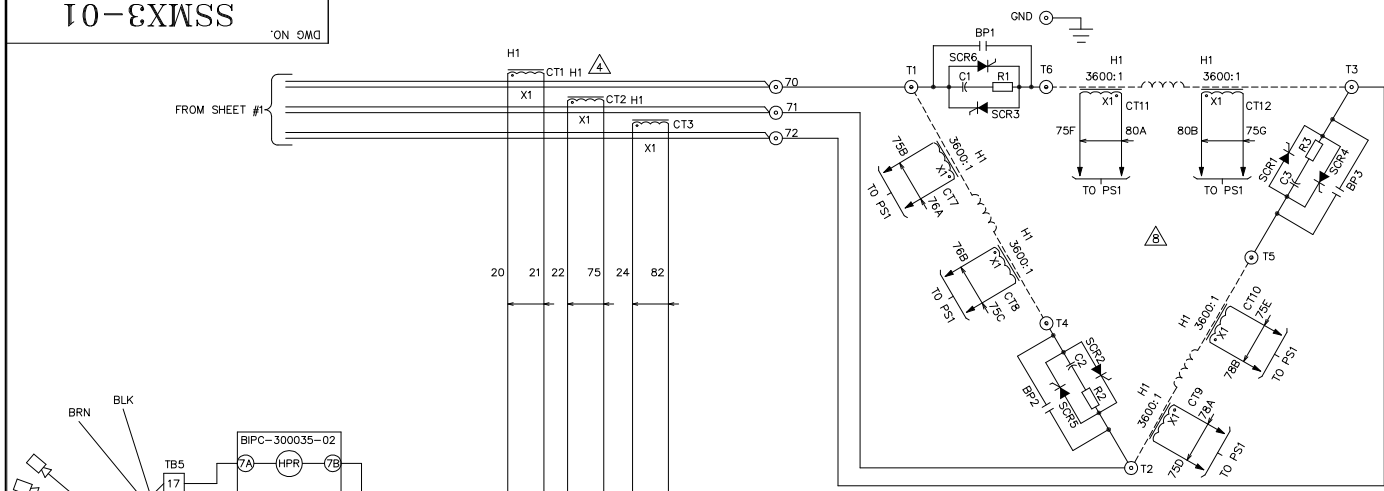


CHART 1

SYSTEM VOLTAGE	3KVA XFMR. FU1-2 AMPS	2KVA XFMR. FU1-2 AMPS	1KVA XFMR. FU1-2 AMPS
200	30	20	12
230	30	20	10
346	20	12	7
380	20	12	6
400	15	12	6
416	15	12	6
460	15	10	5
575	12	8	4

CHART 2

STARTER RLA RANGE	MICRO CT RATIO
205-231	2640:1
232-300	3900:1
301-340	3900:1
341-480	5760:1
481-580	2640:1
581-600	3900:1
601-740	3900:1
741-855	3900:1
856-1250	5760:1
1251-1390	8000:1

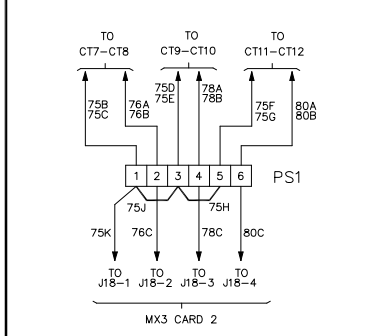
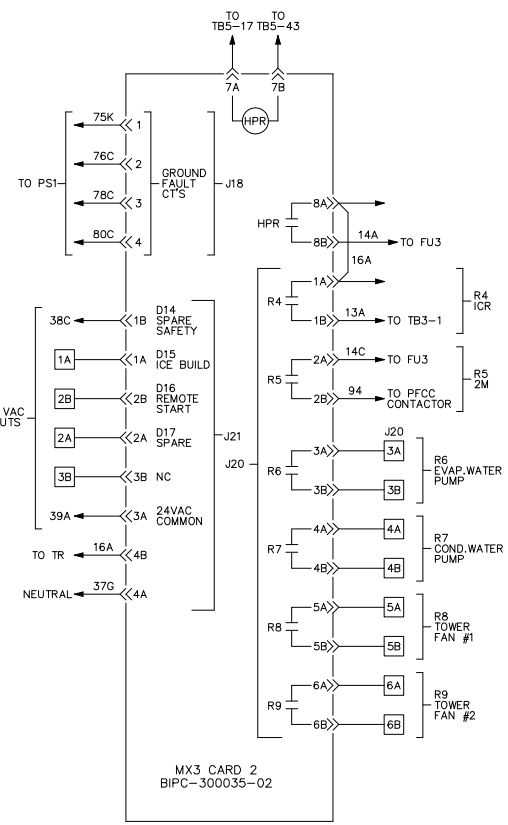
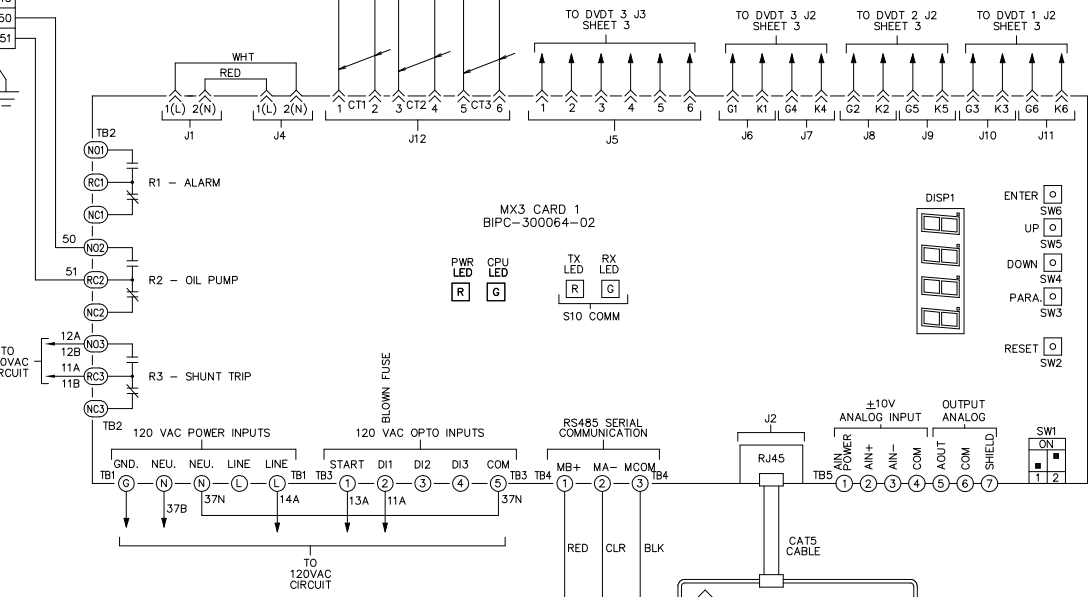
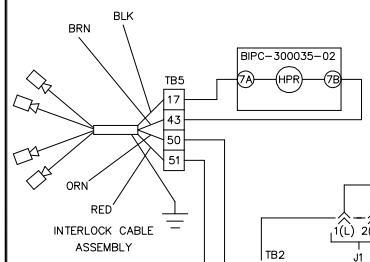
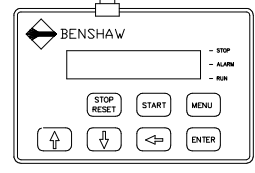


CHART 3

STARTER RLA RANGE	L1,L2 & L3 CONDUCTORS PER PHASE (LOAD SIDE)
95-205	262 MCM DLO BLK 1 COND. PER PHASE
206-259	373 MCM DLO BLK 1 COND. PER PHASE
260-298	373 MCM DLO BLK 1 COND. PER PHASE
299-398	262 MCM DLO BLK 2 COND. PER PHASE
399-501	262 MCM DLO BLK 2 COND. PER PHASE
502-597	373 MCM DLO BLK 2 COND. PER PHASE
598-687	373 MCM DLO BLK 2 COND. PER PHASE
688-791	444 MCM DLO BLK 2 COND. PER PHASE
792-854	444 MCM DLO BLK 2 COND. PER PHASE
855-979	373 MCM DLO BLK 3 COND. PER PHASE
980-1194	444 MCM DLO BLK 3 COND. PER PHASE
1195-139	444 MCM DLO BLK 3 COND. PER PHASE



SIGNATURES		DATE
DRWN.	RBM	8-27-08
CHKD.		
ENG.		
MFG.		

TITLE:
CARRIER FREE STANDING AND UNIT MOUNTED INSIDE DELTA SOLID STATE STARTER MASTER SCHEMATIC PIC11 CONTROLS 205-1390A

WALLACE INDUSTRIAL PARK R#1 LISTOWEL ONTARIO N#306

SIZE DWG NO. **SSMX3-01** REV **C**

SCALE: N/A SHEET X OF X



JOB NAME:
job_name

BUYER:
buyer_name

SALES ENG.:
sales_eng

MODEL NO.:
model_number

JOB NO.:
job_number

P.O. NO.:
p.o._number

PREPARED BY:
prepared_by

ELECTRICAL CHARACTERISTICS:
elect_char.

JOBSITE LOCATION:
job_location 1
job_location 2

SALES OFFICE:
sales_office

REFRIGERANT NO.:
refrig_no

NOTES:
notes_1
notes_2

BENSHAW
FREE STANDING & UNIT MOUNTED
STARTER WIRING DIAGRAM (SOLID STATE) (LOW VOLTAGE)
MOTOR RLA RANGE:
205-1390

DATE: _date

REVISION: _rev#

THIS DOCUMENT IS THE PROPERTY OF CARRIER CORP. AND IS DELIVERED UPON THE EXPRESS CONDITION THAT THE CONTENTS WILL NOT BE DISCLOSED OR USED WITHOUT CARRIER CORP. WRITTEN CONSENT. SUBMISSION OF THESE DWG'S. OR DOCUMENTS DOES NOT CONSTITUTE PART PERFORMANCE OR ACCEPTANCE OF CONTRACT.

CARRIER DWG# BN-205-1390-SS-2
REV. = SHT 02 OF 03
DATE: 6/12/2009
SUPERSEDES DWG. DATED: -

CONTROLS / PIC 11
19XR
SHT d1 OF d2