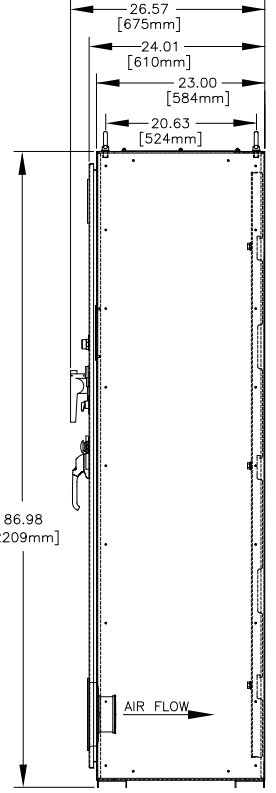
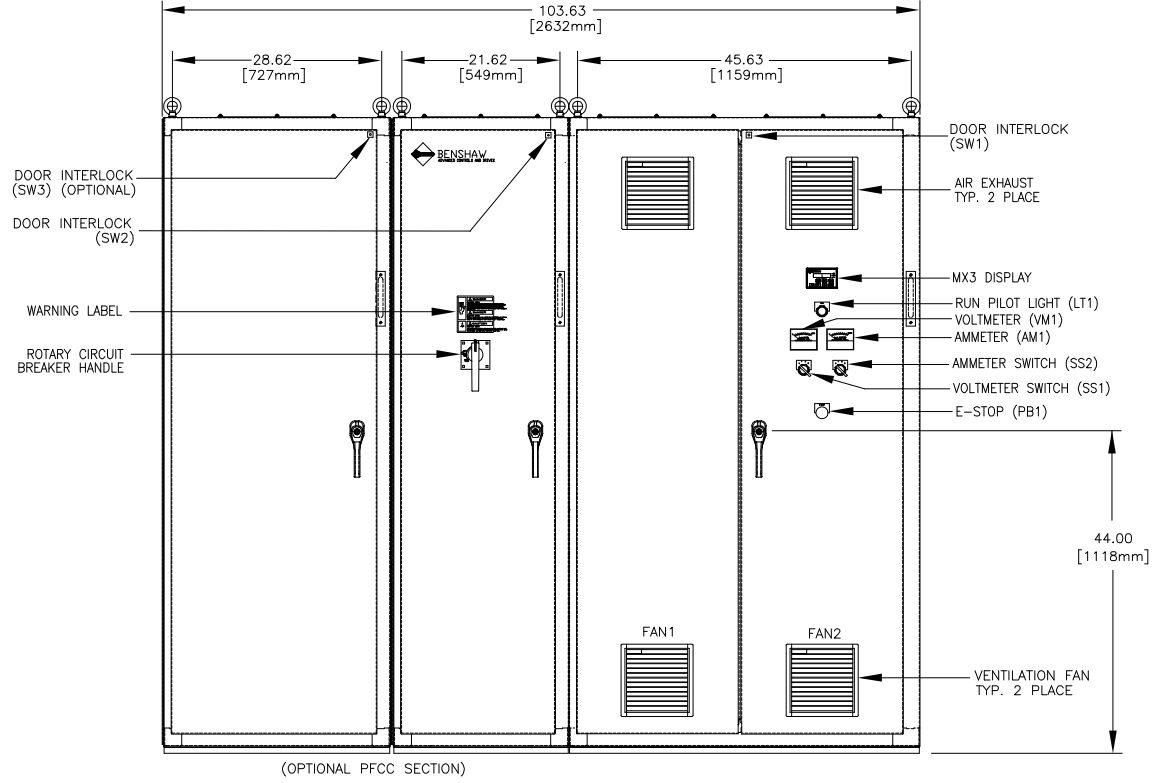
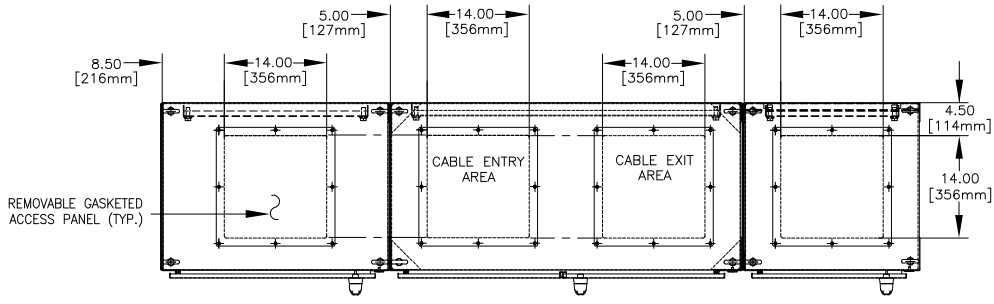
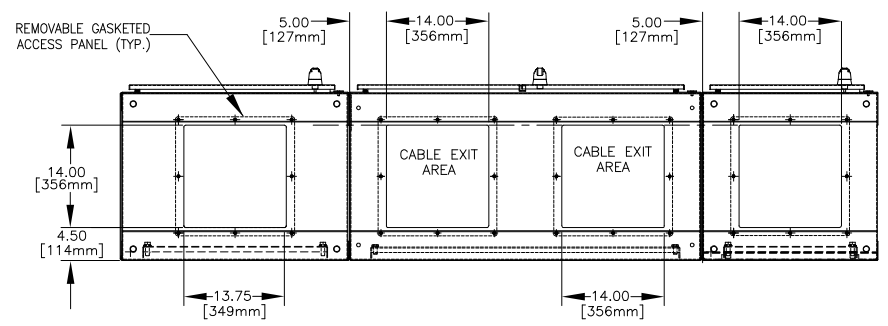


NOTES:

1. ALL DIMENSIONS ARE IN INCHES/MM UNLESS OTHERWISE NOTED.
2. MINIMUM WIRE BENDING SPACE SHALL BE 13" FROM TOP OF LUGS TO TOP OF ENCLOSURE.
3. MINIMUM WIRE BENDING SPACE SHALL BE 13" FROM BOTTOM OF LUGS TO BOTTOM OF ENCLOSURE.
4. ENSURE THAT ALL RIBBON CABLES ARE ROUTED AWAY FROM POWER CONNECTIONS.
5. ENSURE RIGHT DOOR IS HELD CLOSED BY LEFT DOOR.
6. ENCLOSURE RATING=NEMA TYPE 1
7. APPROXIMATE WEIGHT=1000lbs. (BASE STARTER ONLY)
9. FREE STANDING FLOOR MOUNTED ENCLOSURE LAG BOLT TO CONCRETE FLOOR RECOMMENDED.
10. THIS UNIT IS CONFIGURED FOR TOP CABLE ENTRY/TOP OR BOTTOM CABLE EXIT. *BOTTOM CABLE ENTRY IS POSSIBLE IF PFCC OPTION IS NOT REQUIRED. FOR ALL OTHER CONFIGURATIONS CONSULT FACTORY FOR ENCLOSURE SIZING.



(OPTIONAL PFCC SECTION)



BENSHAW (SOLID STATE)		
CIRCUIT BREAKER LUG CAPACITY (PER PHASE)		
STARTER RLA	# CONDUCTORS	CONDUCTOR RANGE
740-808A	4	250 - 500MCM
809-1194A	5	300 - 600MCM

THIRD ANGLE PROJECTION	UNLESS OTHERWISE SPECIFIED ALL DIMENSIONS IN INCHES INTERPRET DRAWING PER ASME Y14.5M-1994	SIGNATURES	DATE	TITLE:
		DRWN: ST	05/11/09	ENCLOSURE LAYOUT FOR: CARRIER CORPORATION
		CHKD: ST	05/11/09	FREE STANDING
		ENG: ST	03/11/09	740-1194 RLA
		MFG:		
		FINISH		

BENSHAW
480 S. CENTER RD. VALLEY SPRING, PA 15116
SCALE: NONE SHEET X OF X

JOB NAME:
job_name

BUYER:
buyer_name

SALES ENG.:
sales_eng

MODEL NO.:
model_number

JOB NO.:
job_number

P.O. NO.:
p.o._number

PREPARED BY:
prepared_by

ELECTRICAL CHARACTERISTICS:
elect_char.

JOBSITE LOCATION:
job_location 1
job_location 2

SALES OFFICE:
sales_office

REFRIGERANT NO.:
refrig_no

NOTES:
notes_1
notes_2

BENSHAW
FREE STANDING STARTER (SOLID STATE) (LOW VOLTAGE)
RLA RANGE:740-1194

DATE: _date

REVISION: _rev#

THIS DOCUMENT IS THE PROPERTY OF CARRIER CORP. AND IS DELIVERED UPON THE EXPRESS CONDITION THAT THE CONTENTS WILL NOT BE DISCLOSED OR USED WITHOUT CARRIER CORP. WRITTEN CONSENT. SUBMISSION OF THESE DWG'S. OR DOCUMENTS DOES NOT CONSTITUTE PART PERFORMANCE OR ACCEPTANCE OF CONTRACT.

CARRIER DWG# BN-740-1194-FS-SS
REV. _ SHT 01 OF 01
DATE: 6/12/2009
SUPERSEDES DWG. DATED: -

CONTROLS / PIC II

19XR

SHT d1 OF d2